

6

5

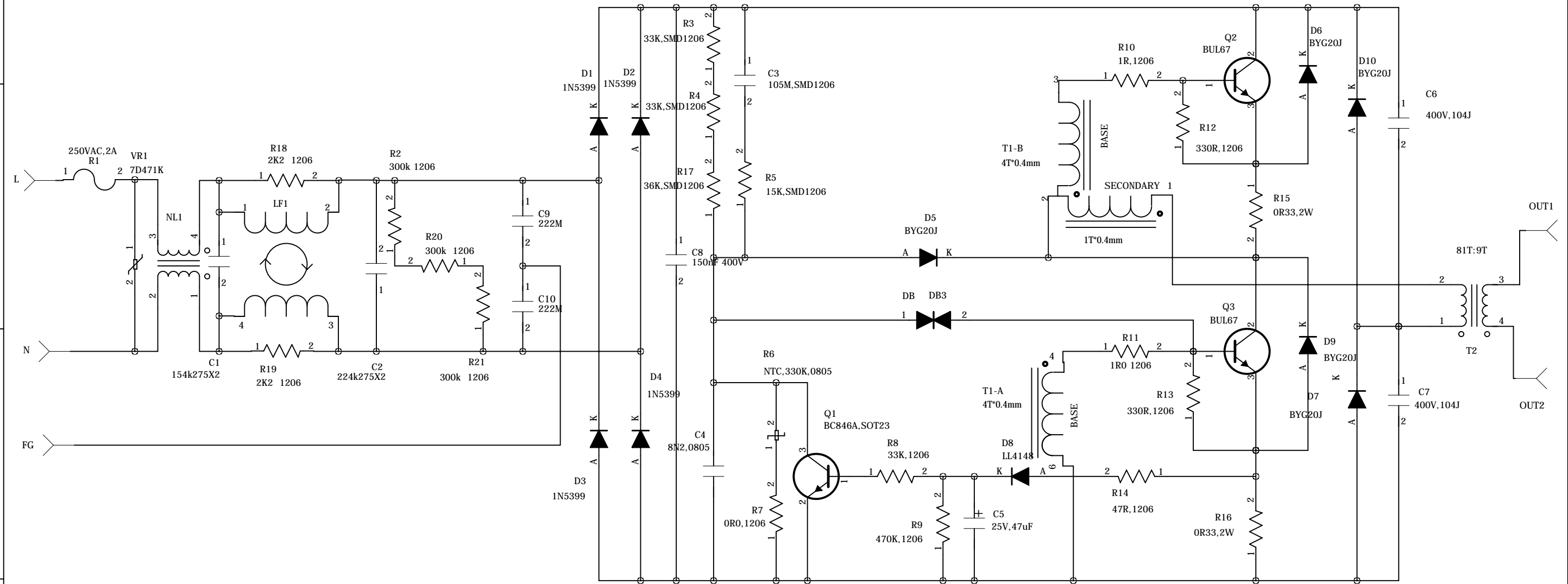
4

3

2

1

REVISION RECORD			
LTR	ECO NO:	APPROVED:	DATE:



D

D

C

C

B

B

A

A

			Number	Sheet	Company
			1	1/1	
Design	Item Manager	Checked	Approved	Date	Revision