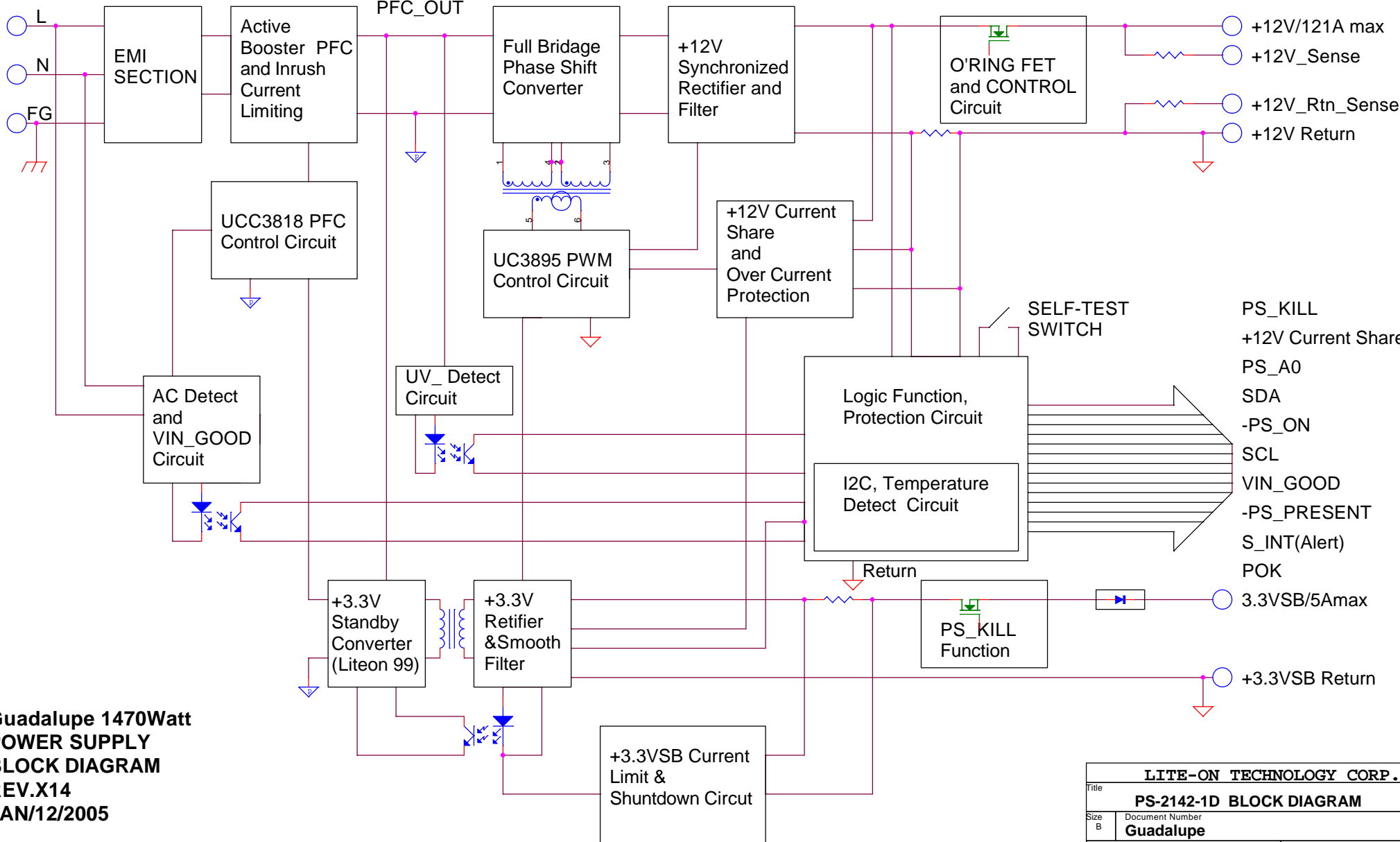
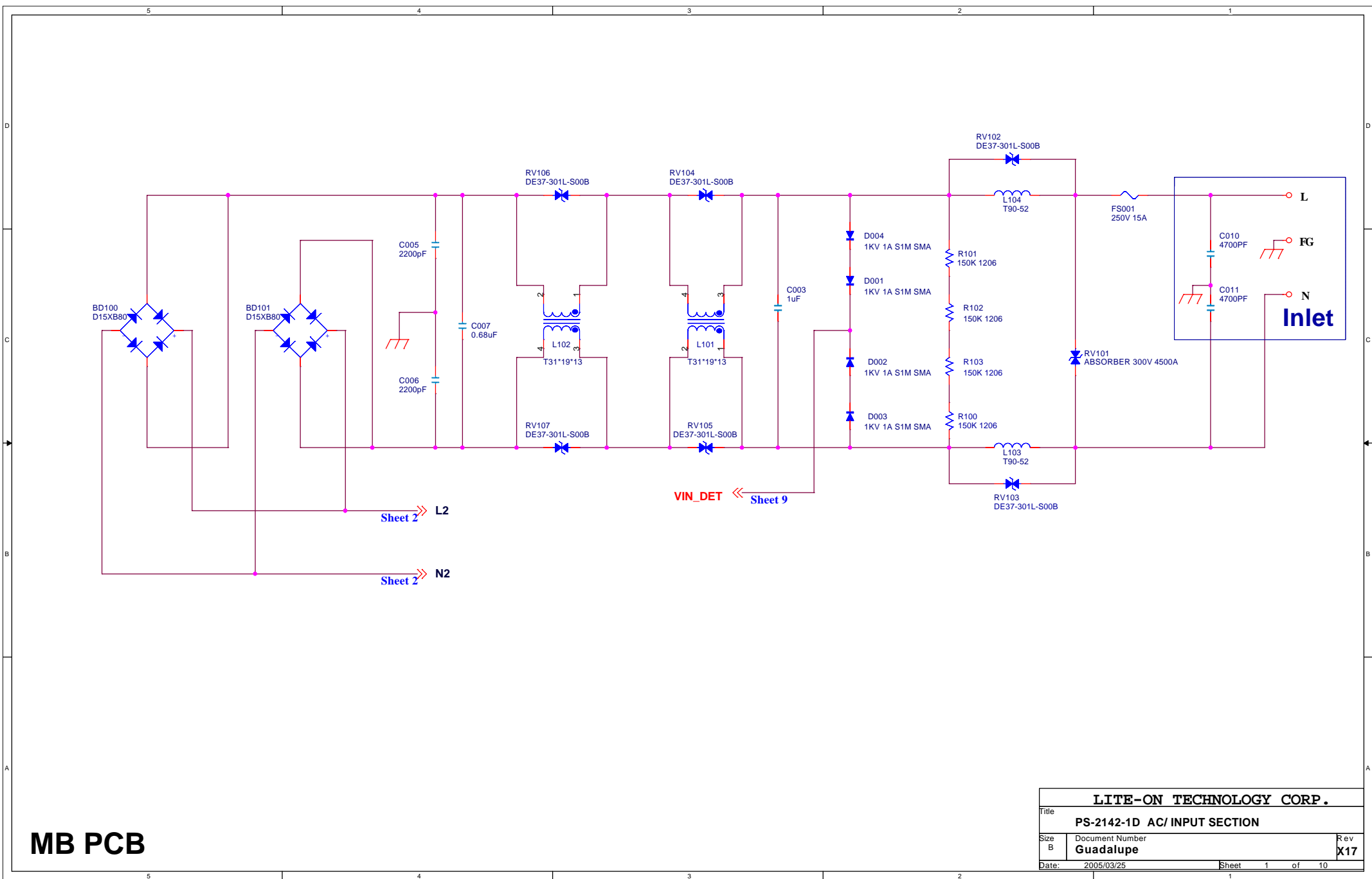


AC INPUT 170 - 264  
VAC



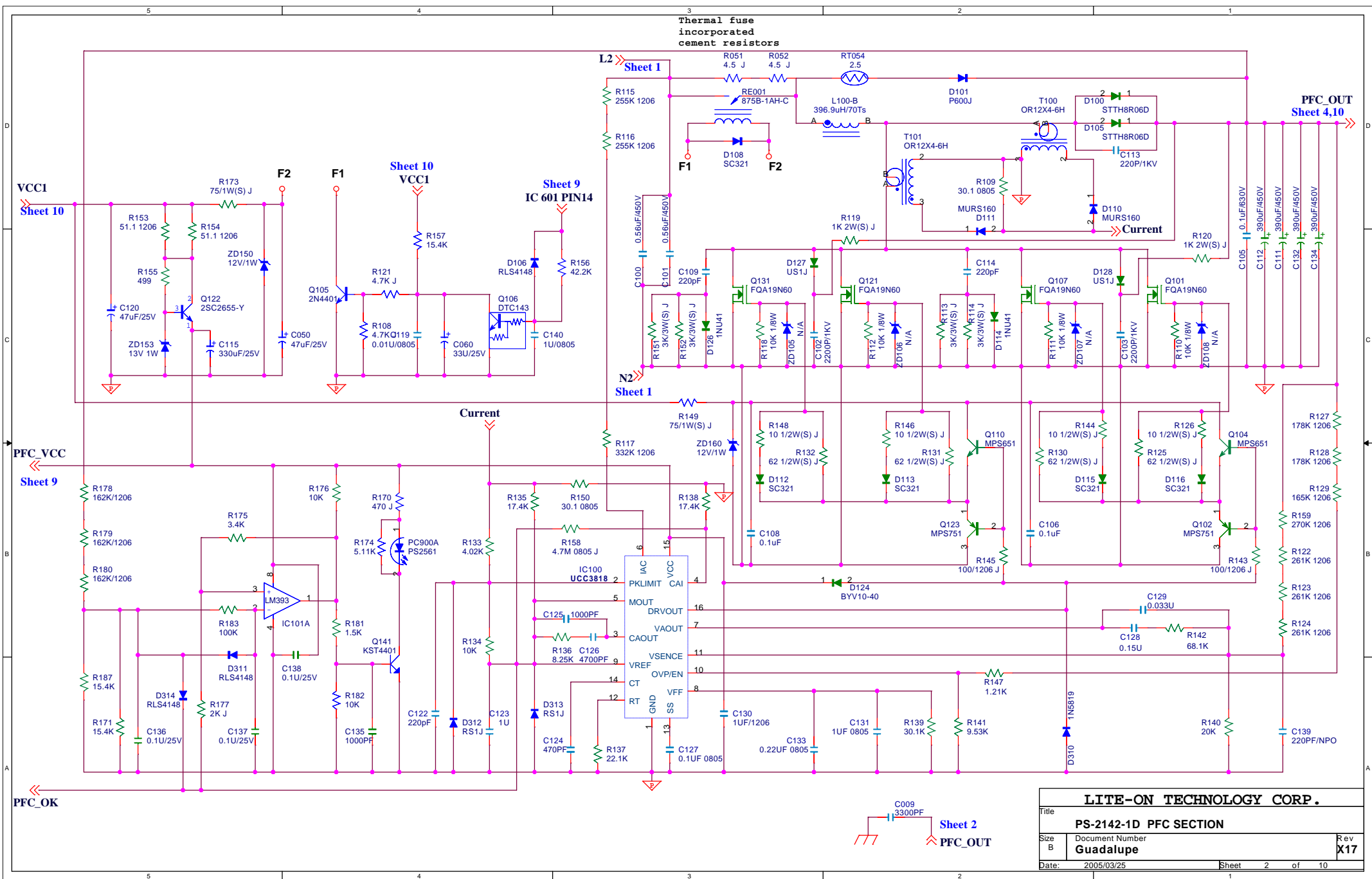
**Guadalupe 1470Watt  
POWER SUPPLY  
BLOCK DIAGRAM  
REV.X14  
JAN/12/2005**

<b>LITE-ON TECHNOLOGY CORP.</b>		
<b>PS-2142-1D BLOCK DIAGRAM</b>		
Size B	Document Number <b>Guadalupe</b>	Rev <b>X17</b>
Date: 2005/03/25	Sheet 0	of 10

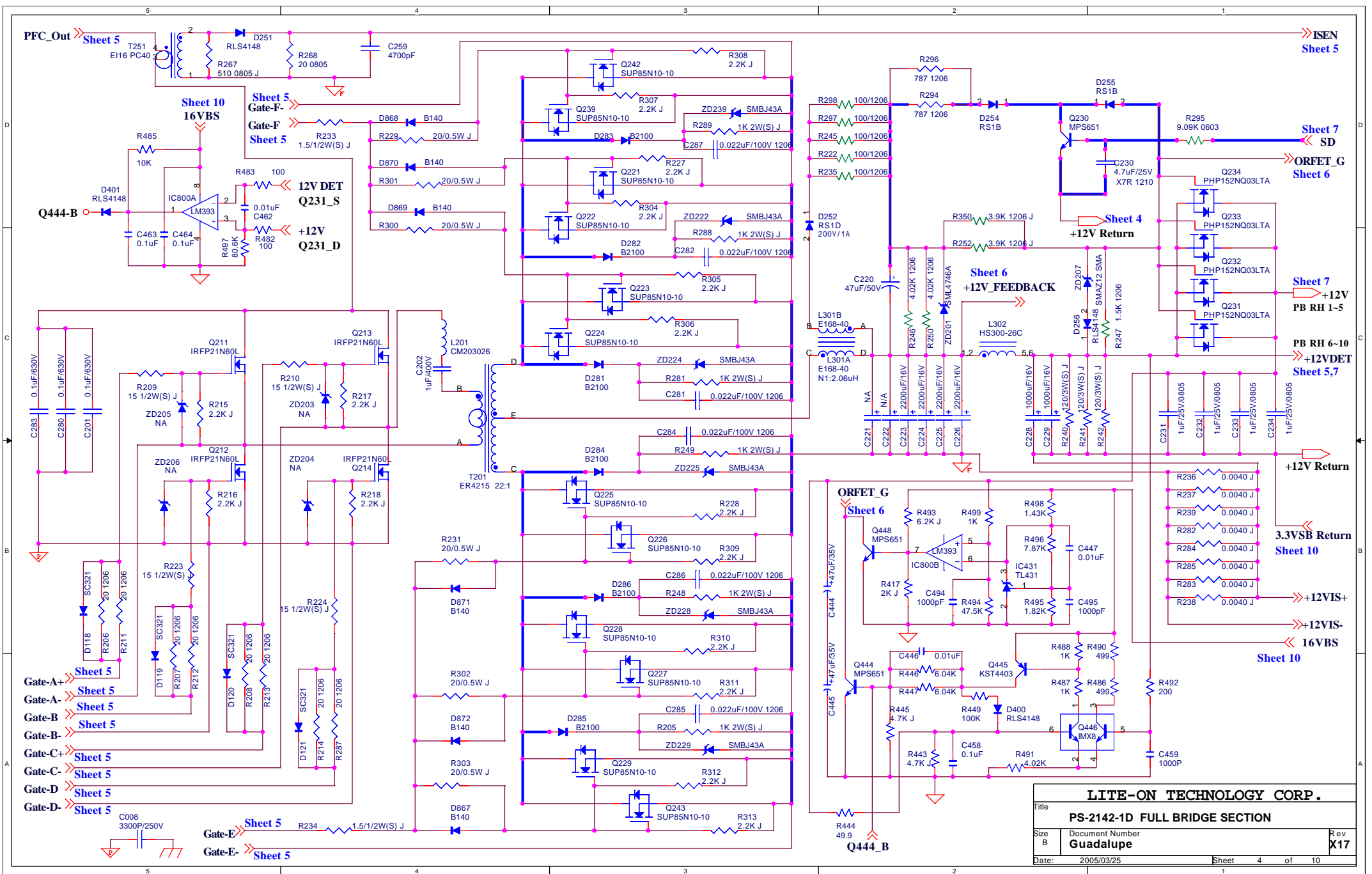


**MB PCB**

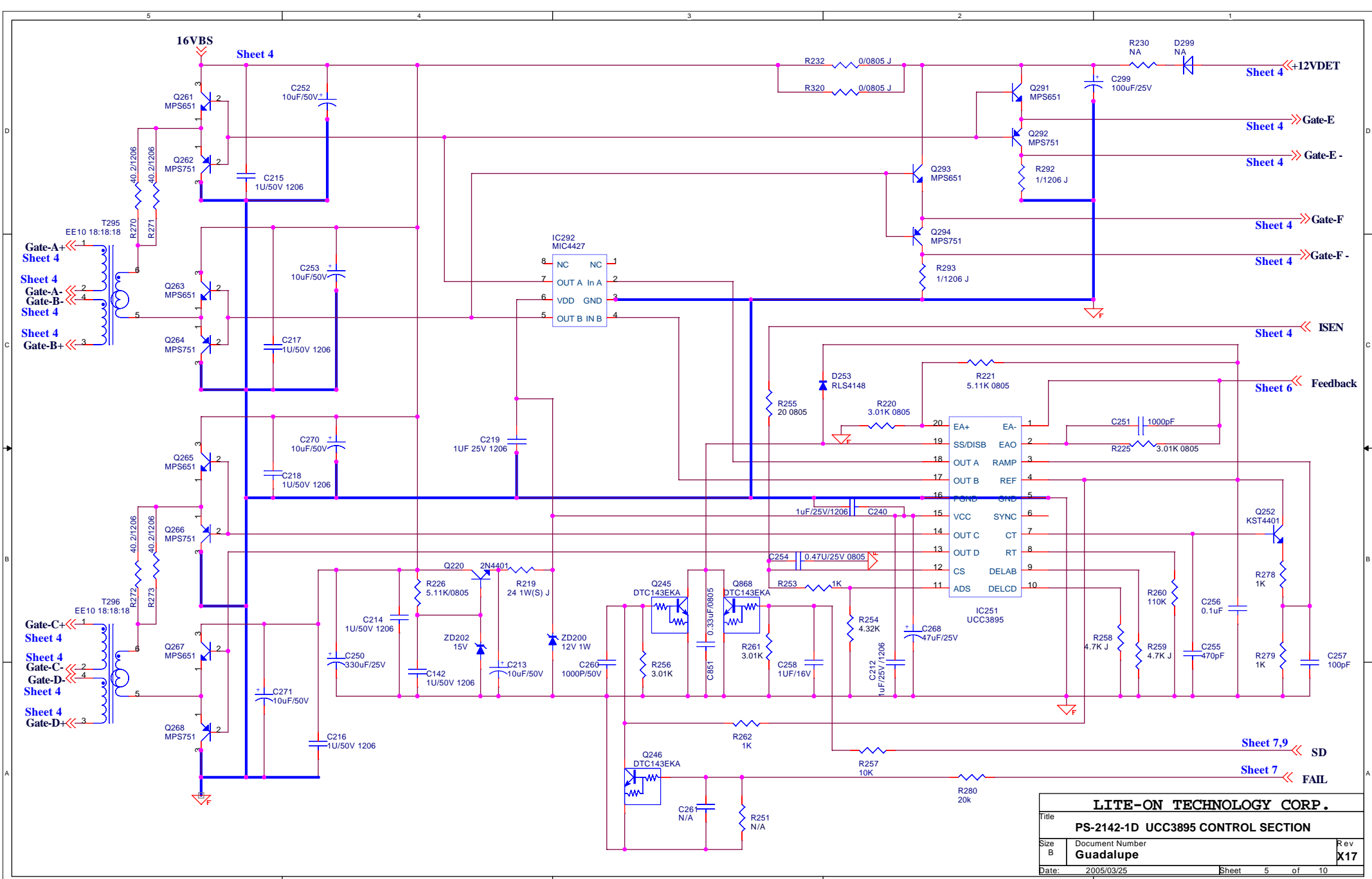
<b>LITE-ON TECHNOLOGY CORP.</b>		
Title <b>PS-2142-1D AC/ INPUT SECTION</b>		
Size B	Document Number <b>Guadalupe</b>	Rev <b>X17</b>
Date: 2005/03/25	Sheet 1 of 10	



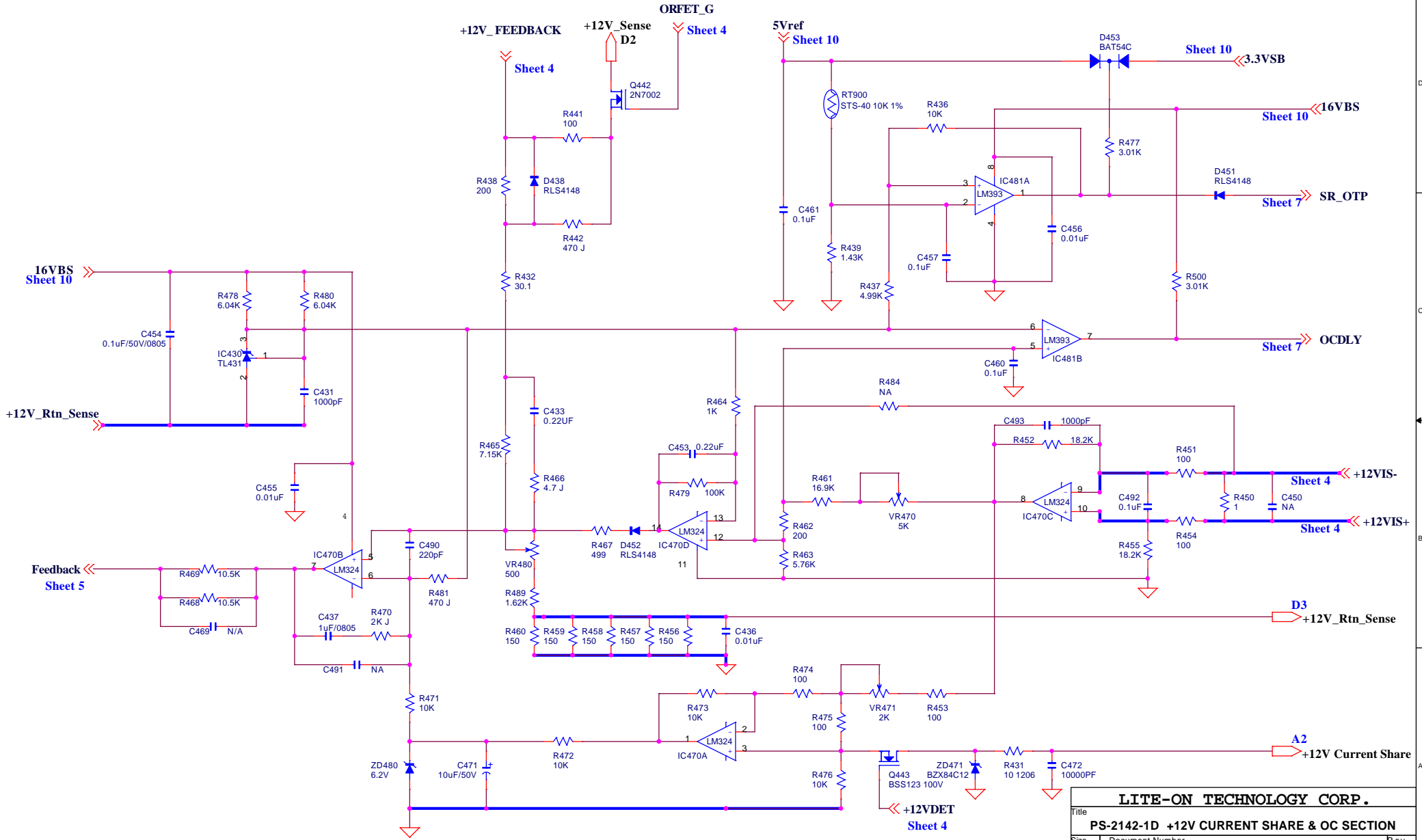
<b>LITE-ON TECHNOLOGY CORP.</b>		
Title	<b>PS-2142-1D PFC SECTION</b>	
Size	Document Number	Rev
B	<b>Guadalupe</b>	<b>X17</b>
Date:	2005/03/25	Sheet 2 of 10



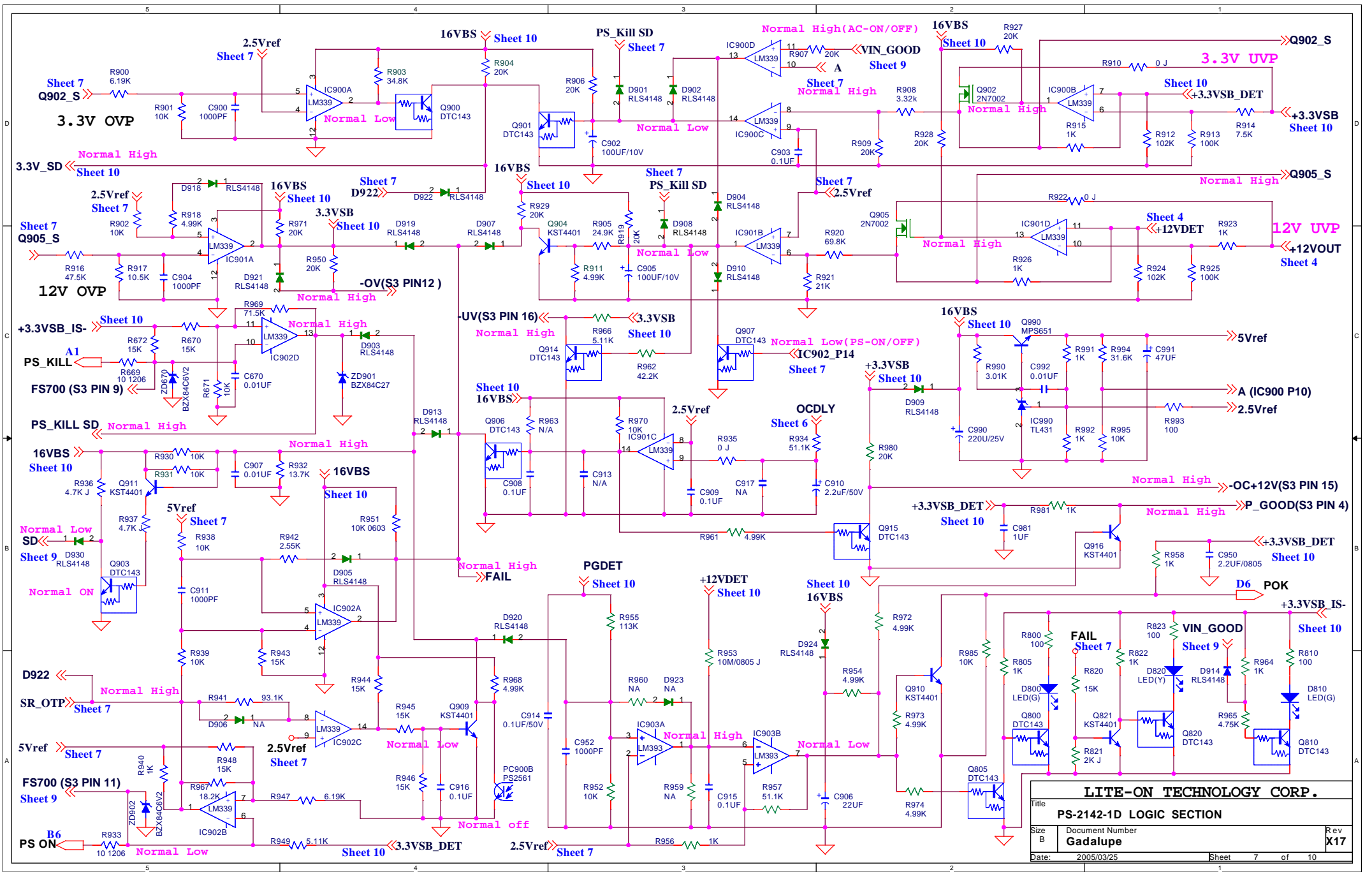
<b>LITE-ON TECHNOLOGY CORP.</b>		
<b>PS-2142-1D FULL BRIDGE SECTION</b>		
Size B	Document Number Guadalupe	Rev X17
Date: 2005/03/25	Sheet 4	of 10

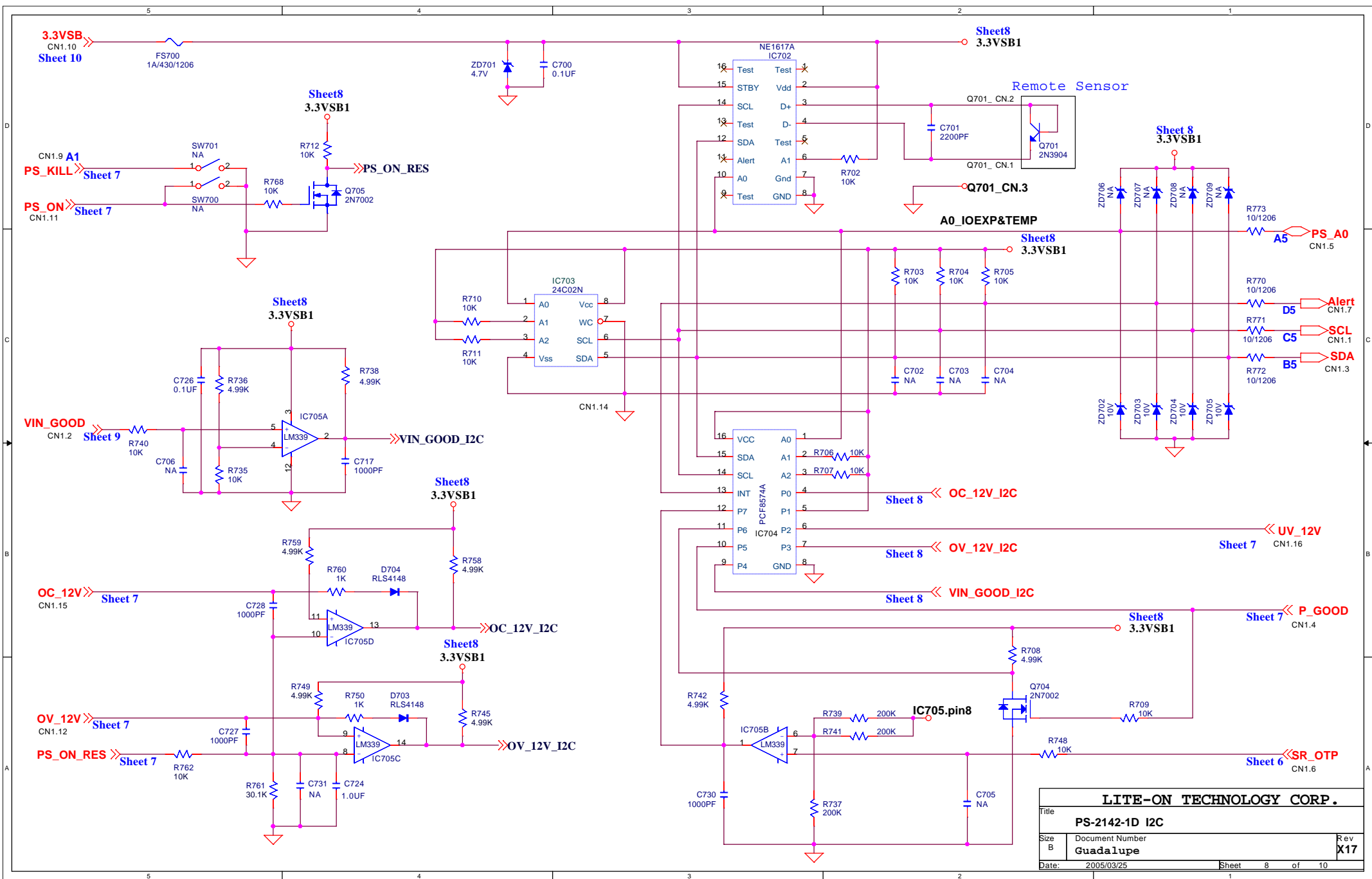


<b>LITE-ON TECHNOLOGY CORP.</b>		
<b>PS-2142-1D UCC3895 CONTROL SECTION</b>		
Size B	Document Number <b>Guadalupe</b>	Rev <b>X17</b>
Date: 2005/03/25	Sheet 5	of 10



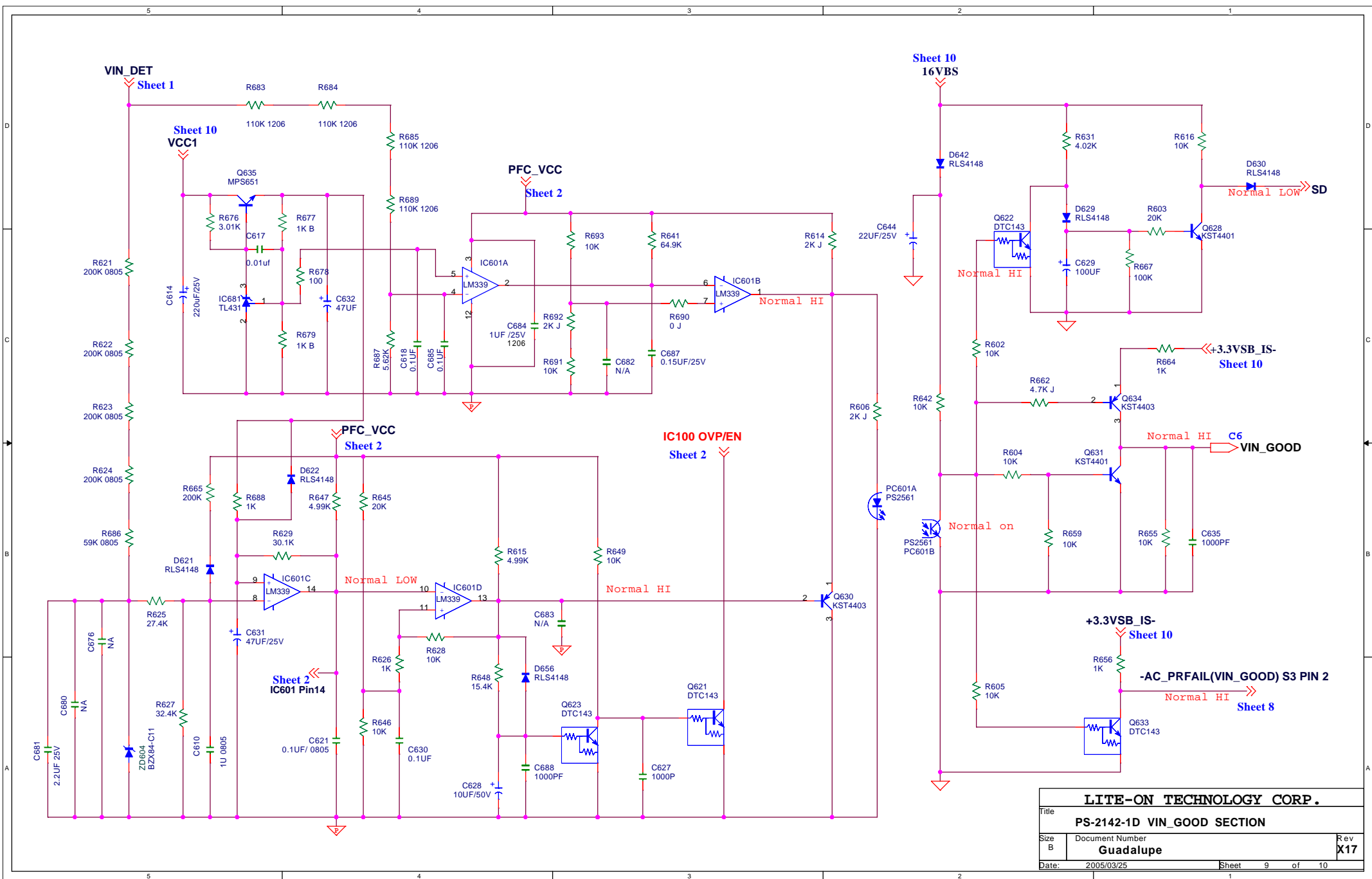
<b>LITE-ON TECHNOLOGY CORP.</b>		
<b>PS-2142-1D +12V CURRENT SHARE &amp; OC SECTION</b>		
Size B	Document Number <b>Guadalupe</b>	Rev <b>X17</b>
Date: 2005/03/25	Sheet 6 of 10	



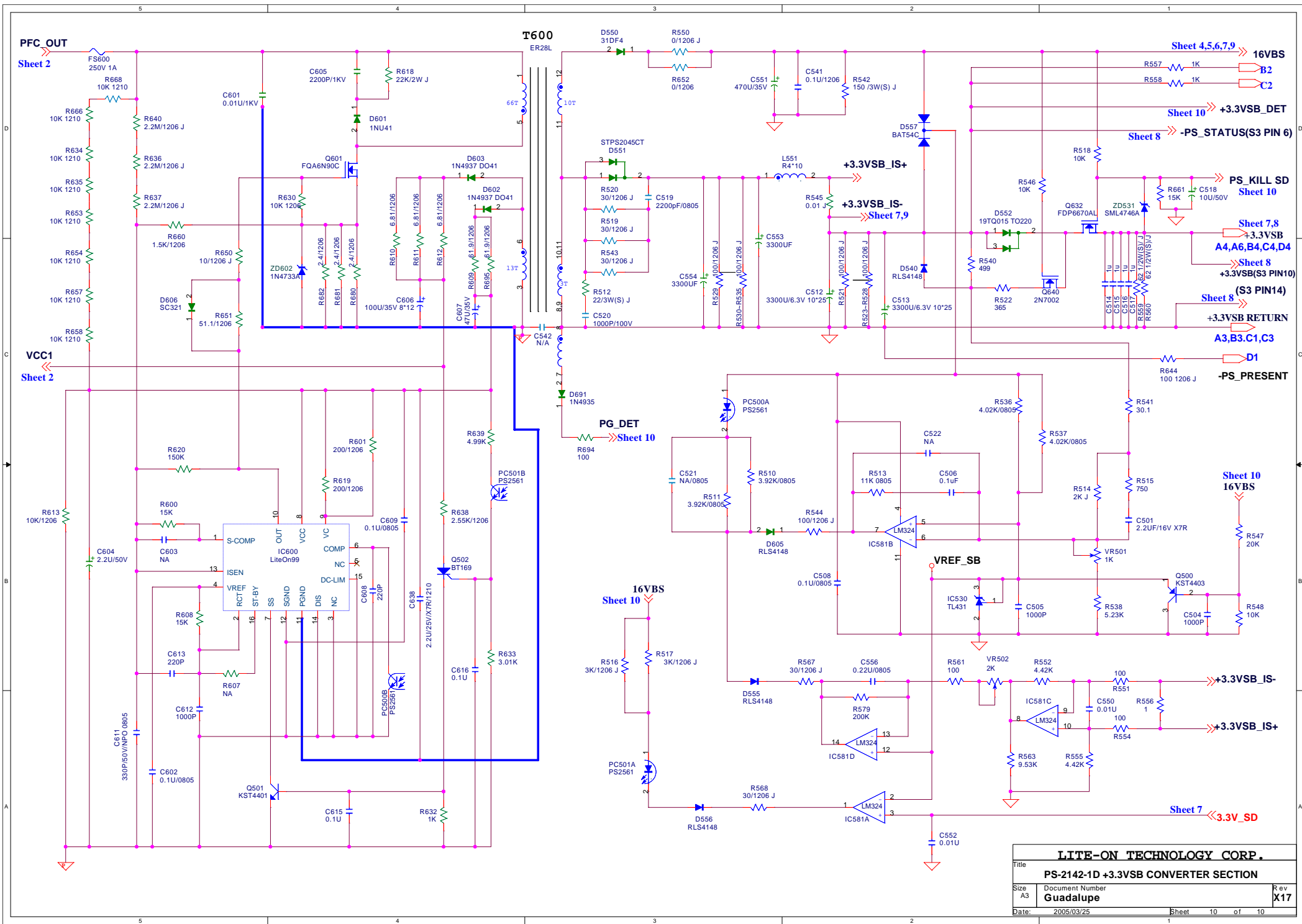


<b>LITE-ON TECHNOLOGY CORP.</b>		
<b>PS-2142-1D I2C</b>		
Size B	Document Number <b>Guadalupe</b>	Rev <b>X17</b>
Date: 2005/03/25	Sheet 8	of 10





<b>LITE-ON TECHNOLOGY CORP.</b>		
<b>PS-2142-1D VIN_GOOD SECTION</b>		
Size B	Document Number <b>Guadalupe</b>	Rev <b>X17</b>
Date: 2005/03/25	Sheet 9	of 10



Sheet 4,5,6,7,9 >>> 16VBS  
 B2  
 C2  
 Sheet 10 >>> +3.3VSB\_DET  
 Sheet 8 >>> -PS\_STATUS(S3 PIN 6)  
 PS\_KILL\_SD  
 Sheet 10  
 Sheet 7,8 >>> +3.3VSB  
 A4,A6,B4,C4,D4  
 Sheet 8 >>> +3.3VSB(S3 PIN10)  
 Sheet 8 >>> (S3 PIN14)  
 +3.3VSB RETURN  
 A3,B3,C1,C3  
 D1  
 -PS\_PRESENT

PFC\_OUT  
 Sheet 2  
 VCC1  
 Sheet 2

LITE-ON TECHNOLOGY CORP.		
Title	PS-2142-1D +3.3VSB CONVERTER SECTION	
Size	Document Number	Rev
A3	Guadalupe	X17
Date:	2005/03/25	Sheet 10 of 10