

6

5

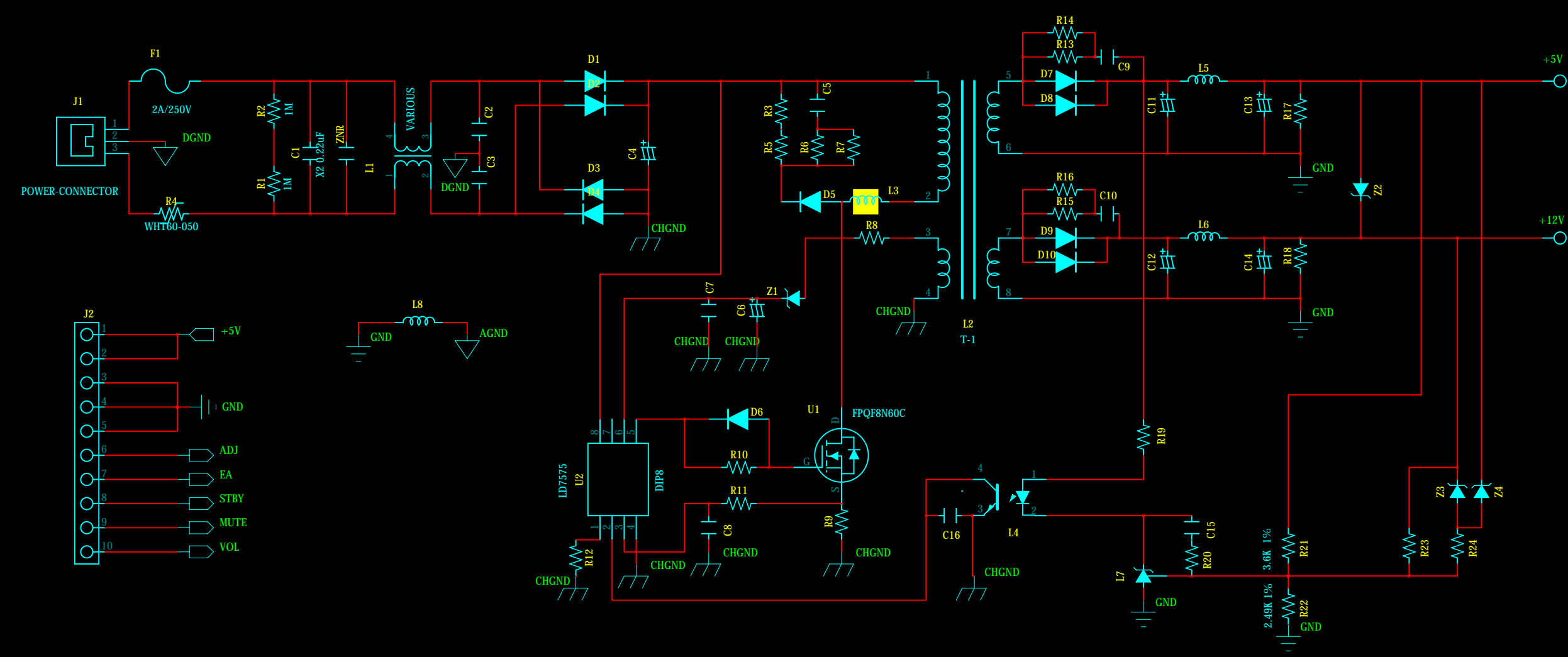
4

3

2

1

REVISION RECORD			
LTR	ECO NO:	APPROVED:	DATE:



D

D

C

C

B

B

A

A

DRAWN:	DATED:
CHECKED:	DATED:
QUALITY CONTROL:	DATED:
RELEASED:	DATED:

COMPANY:			
TITLE:			
CODE:	SIZE:	DRAWING NO:	REV:
SCALE:		SHEET: OF	

6

5

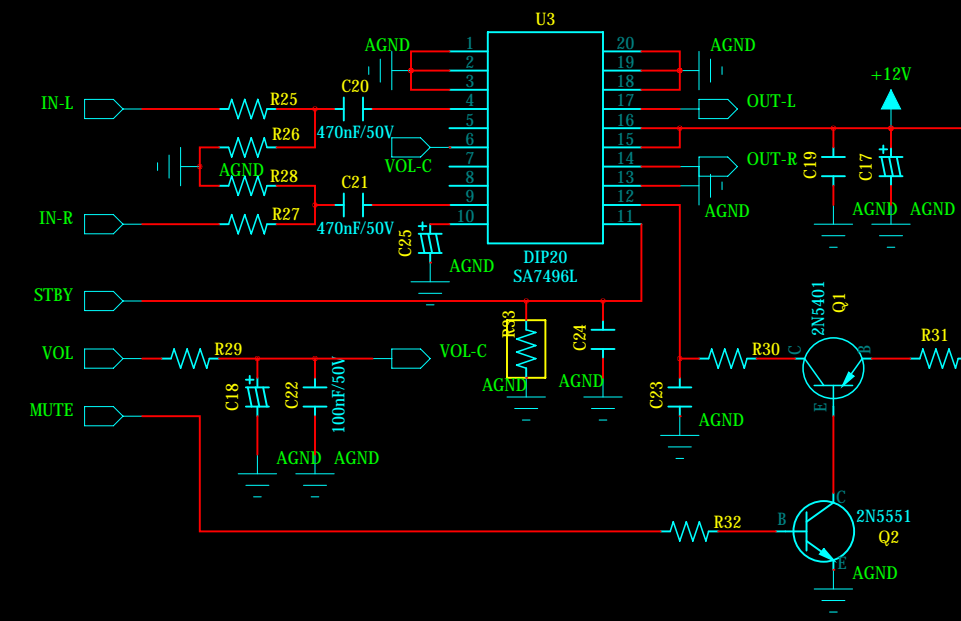
4

3

2

1

REVISION RECORD			
LTR	ECO NO.	APPROVED:	DATE:



COMPANY:

TITLE:

DRAWN:	DATED:
CHECKED:	DATED:
QUALITY CONTROL:	DATED:
RELEASED:	DATED:

CODE:	SIZE:	DRAWING NO.:	REV:
SCALE:		SHEET: OF	

6

5

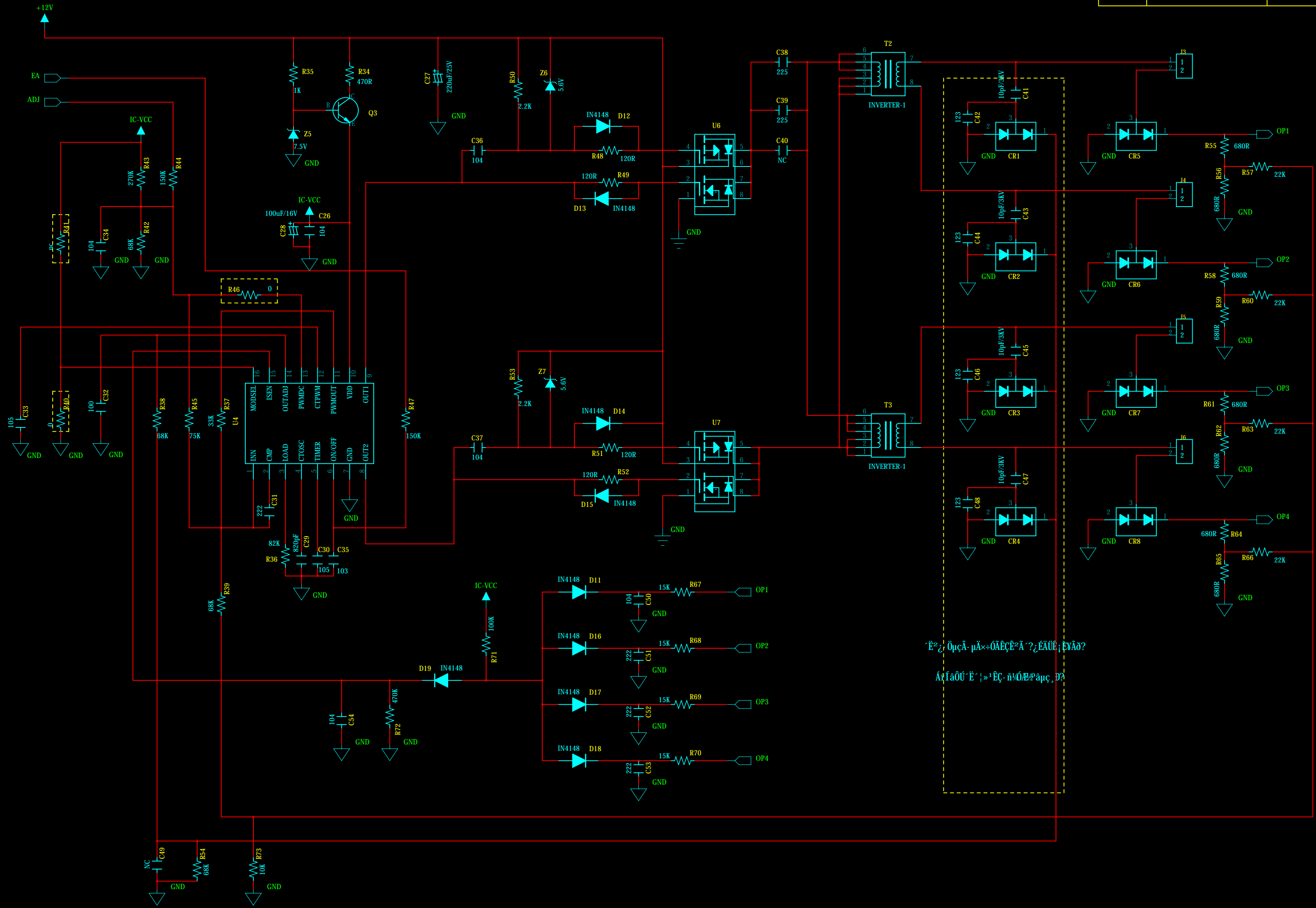
4

3

2

1

REVISION RECORD			
LTR	ECO NO.	APPROVED:	DATE:



Εἰ ὁ ἄνθρωπος ἀποβλέπει ἰσορροπία, ἔχει ἄν ἕνα ἄλλο ἄνθρωπο ἰσορροπία.

Ἄν ἄνθρωπος ἔχει ἰσορροπία, ἔχει ἄν ἕνα ἄλλο ἄνθρωπο ἰσορροπία.

COMPANY: **Εἰ ὁ ἄνθρωπος ἀποβλέπει ἰσορροπία, ἔχει ἄν ἕνα ἄλλο ἄνθρωπο ἰσορροπία.**

ADD: Εἰ ὁ ἄνθρωπος ἀποβλέπει ἰσορροπία, ἔχει ἄν ἕνα ἄλλο ἄνθρωπο ἰσορροπία.

TEL: 0755-27600476

FAX: 075527600477

CODE:	SIZE:	DRAWING NO.:	REV:

SCALE: SHEET: OF

DRAWN: dingwenlong	DATED: 2007/06/28
CHECKED:	DATED:
QUALITY CONTROL:	DATED:
RELEASED:	DATED:

D

D

C

C

B

B

A

A