

FEELING TECHNOLOGY

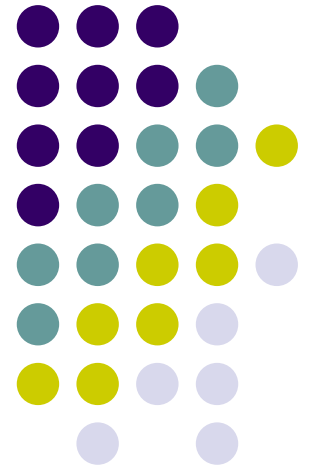
POWER MANAGEMENT IC

遠翔科技股份有限公司

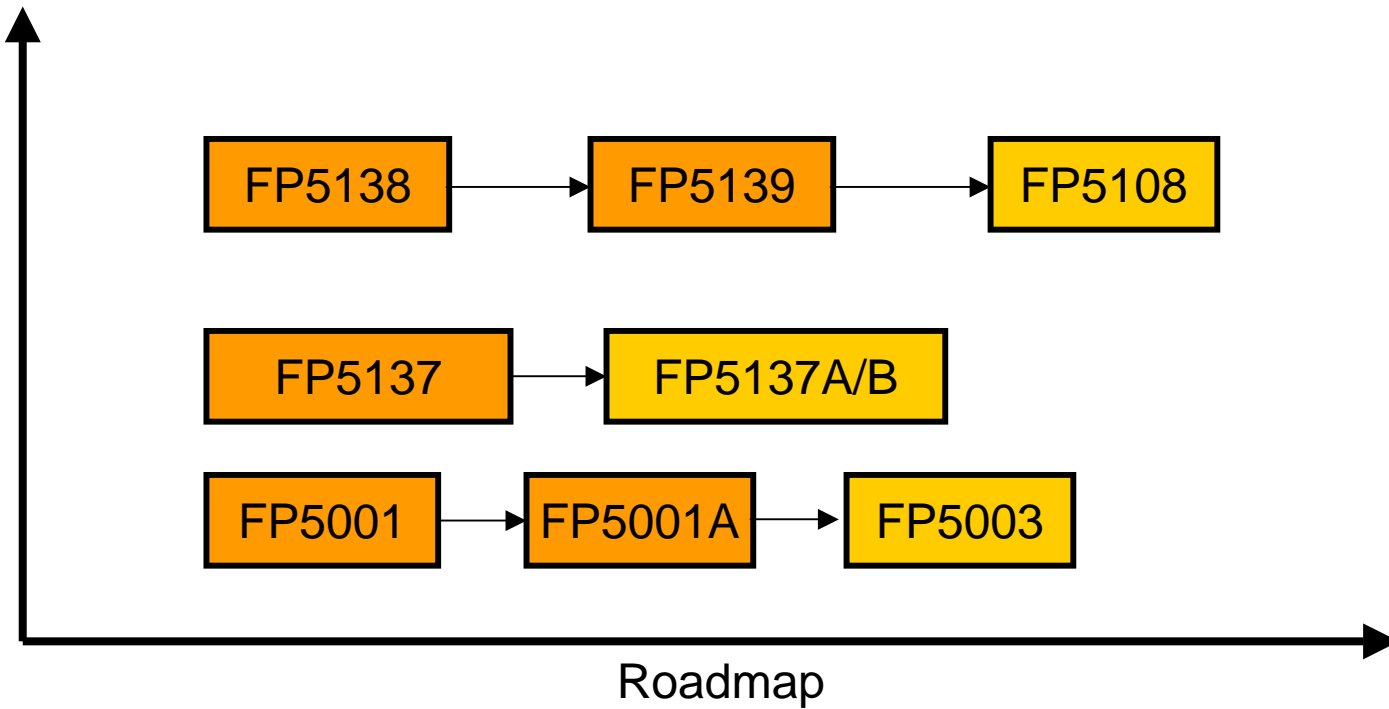
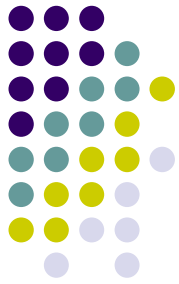
市場行銷處

2007.05.12.

版本: 0705V01



1 CH DC-DC Converter IC





1 CH DC-DC Converter IC

Part No.	FUNCTIONS						Op. Voltage	PACKAGE	EV. BOARD
	OSC	SCP OCP	SS SD	DTC	O/P	DC-DC			
FP5001/A	Adj	SCP	X	V	OC	Buck	3.6~30	PDIP8/SOP8	V
FP5137/B	V	SCP	V	X	TP	Buck	4.0~17	PDIP8/SOP8(EP)	V
FP5137A	V	SCP	V	X	TP	Buck	4.0~17	PDIP8/SOP8(EP)	V
FP5138	Adj	SCP	V	X	TP	BOOST	2.0~15	SOP8(EP) TSSOP8	V
FP5139	Adj	SCP	V	X	TP	BOOST	2.0~15	SOP8 TSSOP8	V
FP5003	Adj	SCP	X	V	TP	Buck	3.6~25	SOP8 (EP)	V
FP5108	Adj	SCP	V	X	TP	Buck	2.5~15	SOP8	V

FP5001/A



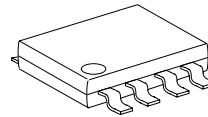
FEATURES

- FB Reference Voltage 1.0V (2%)
- Output sink current up to 100mA
- Low quiescent supply current
- Wide operating voltage range: 3.6~30V
- Variable dead-time control (DTC)
- UVLO protection function
- SCP protection function
- Oscillator Frequency: Max. 500KHz
- Package: PDIP8/ SOP8
- Wide Operating Temperature: FP5001A

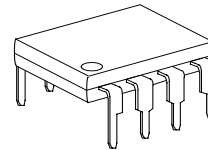
TYPICAL APPLICATION

- LCD Monitor
- Backlight CCFL inverter
- ADSL Modem/Hub/LAN

Package

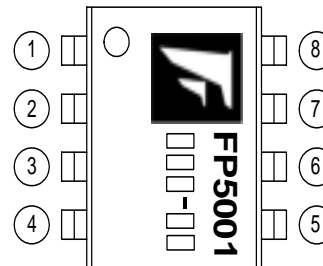


SOP8

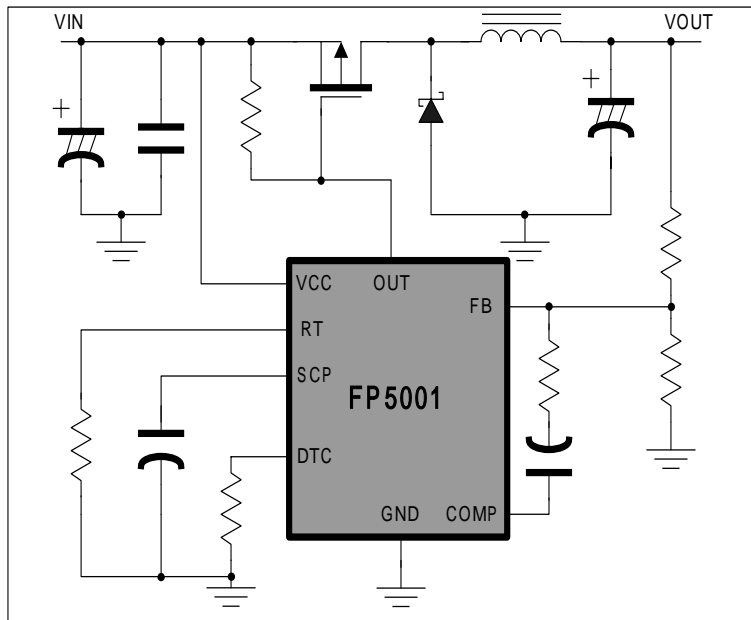


DIP8

TOP VIEW



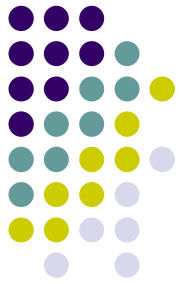
APPLICATION INFORMATION



PIN DESCRIPTION

NAME	NO.	DESCRIPTION
OUT	1	Open Collector Transistor Output
VCC	2	IC Power Supply
COMP	3	Error Amplifier Feedback Output
FB	4	Error Amplifier Inverting Input
SCP	5	Short Circuit Protection Input
DTC	6	Dead-Time Control Input
RT	7	A resistance of Oscillator
GND	8	IC Ground

FP5137



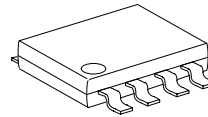
FEATURES

- FB Reference Voltage 1.25V (2%)
- Peak output source drive up to 500mA
- Programmable Soft-start function
- UVLO protection function
- SCP protection function
- Internal Oscillator Frequency: 150KHz
- Package: PDIP8/ SOP8(EP)

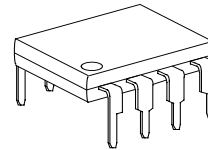
TYPICAL APPLICATION

- VGA Card
- Battery Charger
- Networking Service
- High Efficiency DC-DC Converter

Package

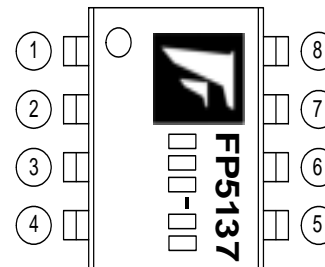


SOP8

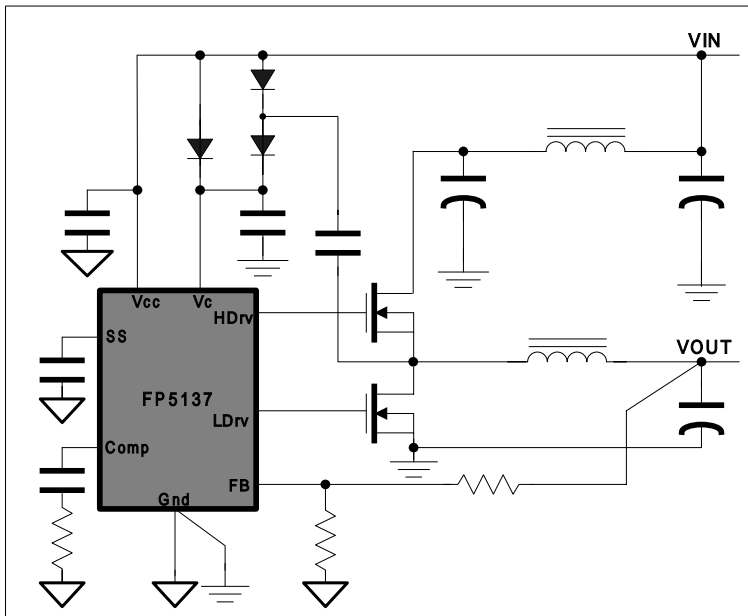


DIP8

TOP VIEW



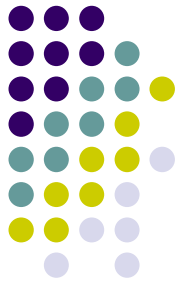
APPLICATION INFORMATION



PIN DESCRIPTION

NAME	NO.	DESCRIPTION
FB	1	Error Amplifier Inverting Input
VCC	2	IC Power Supply
LDRV	3	Low Side NMOS Driver
GND	4	IC Ground
HDRV	5	High Side NMOS Driver
VC	6	High Side Driver Power Supply
COMP	7	Error Amplifier Feedback Output
SS	8	A capacitor for Soft-start

FP5137B



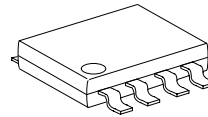
FEATURES

- FB Reference Voltage 0.8V (2%)
- Peak output source drive up to 500mA
- Programmable Soft-start function
- UVLO protection function
- SCP protection function
- Internal Oscillator Frequency: 150KHz
- Package: PDIP8/ SOP8(EP)

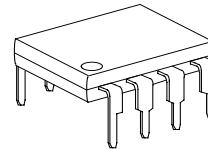
TYPICAL APPLICATION

- VGA Card
- Battery Charger
- Networking Service
- High Efficiency DC-DC Converter

Package

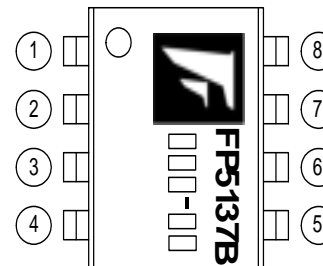


SOP8

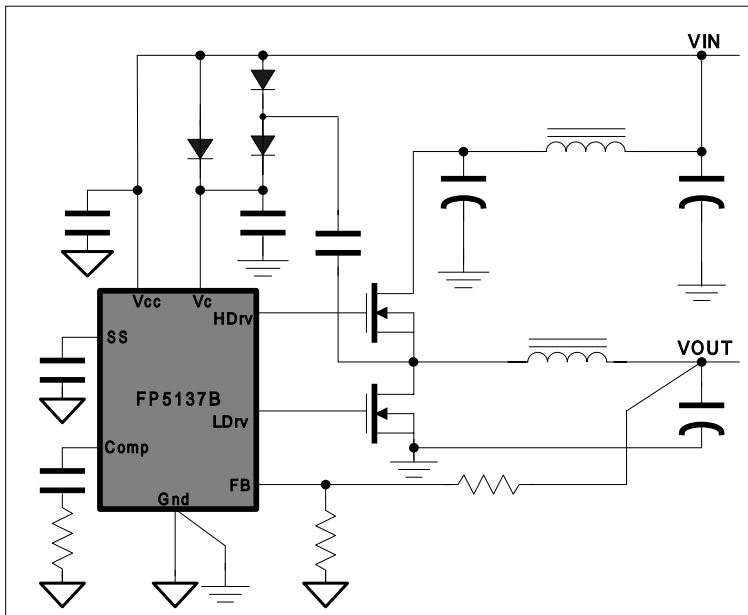


DIP8

TOP VIEW



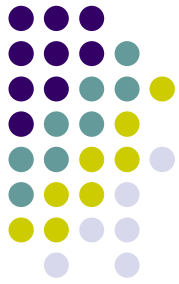
APPLICATION INFORMATION



PIN DESCRIPTION

NAME	NO.	DESCRIPTION
FB	1	Error Amplifier Inverting Input
VCC	2	IC Power Supply
LDRV	3	Low Side NMOS Driver
GND	4	IC Ground
HDRV	5	High Side NMOS Driver
VC	6	High Side Driver Power Supply
COMP	7	Error Amplifier Feedback Output
SS	8	A capacitor for Soft-start

FP5137A



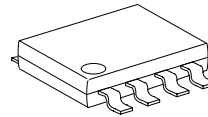
FEATURES

- FB Reference Voltage 0.8V (2%)
- Peak output source drive up to 500mA
- Programmable Soft-start function
- UVLO protection function
- SCP protection function
- Internal Oscillator Frequency: 350KHz
- Package: PDIP8/ SOP8(EP)

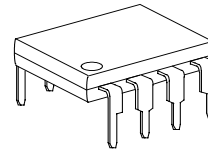
TYPICAL APPLICATION

- VGA Card
- Battery Charger
- Networking Service
- High Efficiency DC-DC Converter

Package

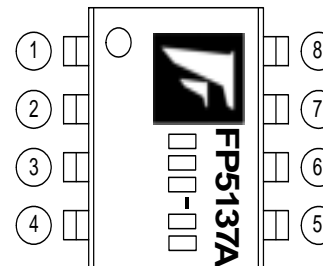


SOP8

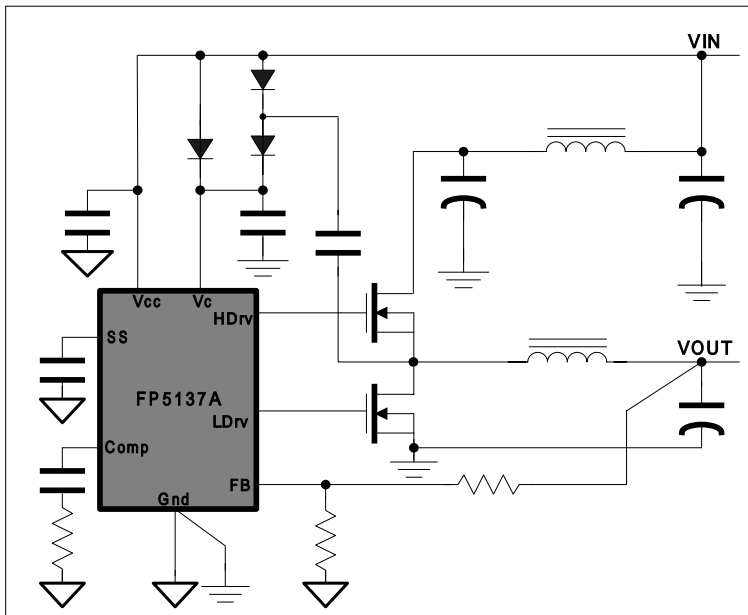


DIP8

TOP VIEW



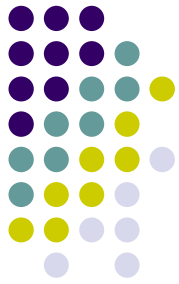
APPLICATION INFORMATION



PIN DESCRIPTION

NAME	NO.	DESCRIPTION
FB	1	Error Amplifier Inverting Input
VCC	2	IC Power Supply
LDRV	3	Low Side NMOS Driver
GND	4	IC Ground
HDRV	5	High Side NMOS Driver
VC	6	High Side Driver Power Supply
COMP	7	Error Amplifier Feedback Output
SS	8	A capacitor for Soft-start

FP5138



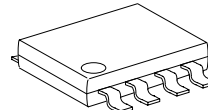
FEATURES

- FB Reference Voltage 0.5V (4%)
- Totem-pole output with adjustable on/off current
- Low operating and standby current consumption
- Wide operating voltage range: 2.0~15V
- Maximum duty cycle limit (80%)
- UVLO protection function
- Soft start function
- SCP protection function
- Oscillator Frequency: Max. 1MHz
- Logic level control standby mode
- Package: SOP8(TSSOP8)

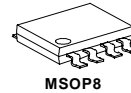
TYPICAL APPLICATION

- LCD Panel
- CCD/CATV
- DSC
- STB

Package

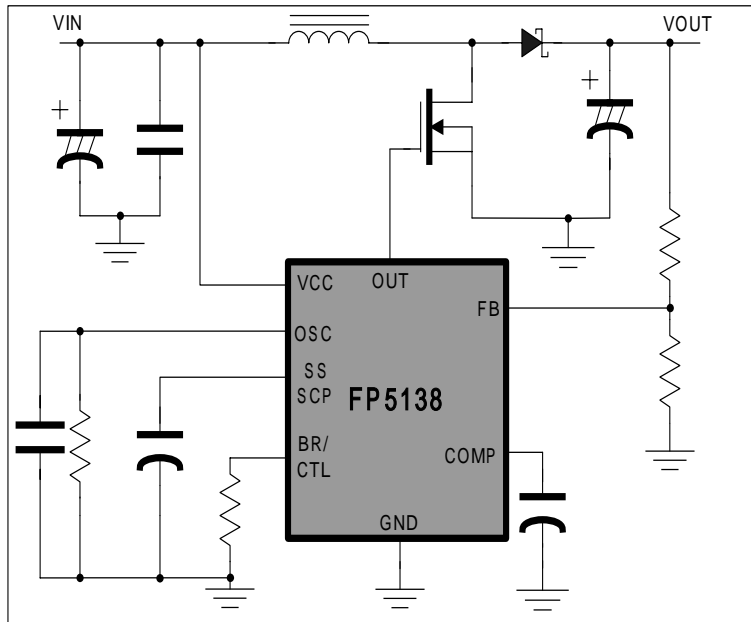


SOP8

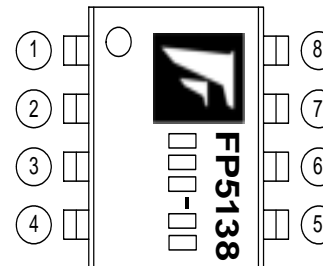


MSOP8

APPLICATION INFORMATION



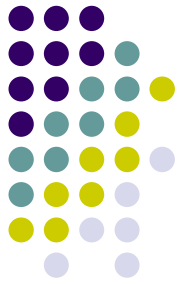
TOP VIEW



PIN DESCRIPTION

NAME	NO.	DESCRIPTION
FB	1	Error Amplifier Inverting Input
SS/SCP	2	Soft Start & Short Circuit Protection
VCC	3	IC Power Supply
BR/CTL	4	Adjustable ON/OFF Current
OUT	5	Totem-pole Output
GND	6	IC Ground
OSC	7	RC Connected Oscillator
COMP	8	Error Amplifier Feedback Output

FP5139



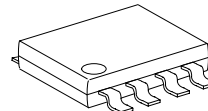
FEATURES

- FB Reference Voltage 0.5V (4%)
- Totem-pole output with adjustable on/off current
- Low operating and standby current consumption
- Wide operating voltage range: 2.0~15V
- Maximum duty cycle limit (90%)
- UVLO protection function
- Soft start function
- SCP protection function
- Oscillator Frequency: Max. 1MHz
- Logic level control standby mode
- Package: SOP8(TSSOP8)

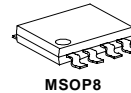
TYPICAL APPLICATION

- LCD Panel
- CCD/CATV
- DSC
- STB

Package

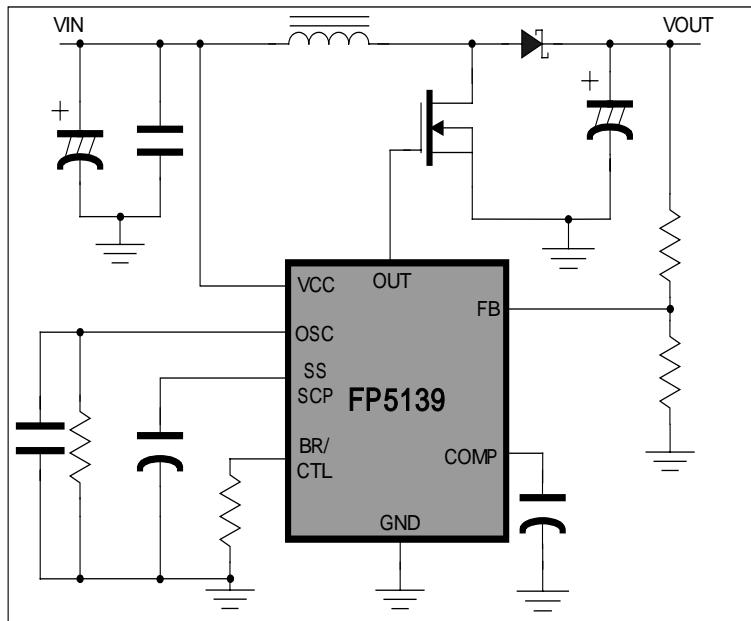


SOP8

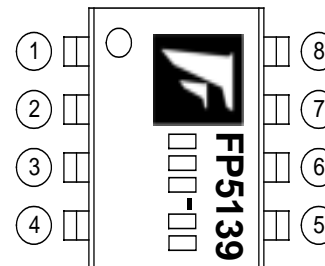


MSOP8

APPLICATION INFORMATION



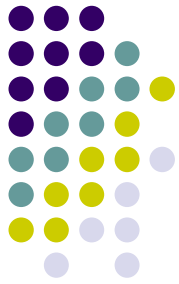
TOP VIEW



PIN DESCRIPTION

NAME	NO.	DESCRIPTION
FB	1	Error Amplifier Inverting Input
SS/SCP	2	Soft Start & Short Circuit Protection
VCC	3	IC Power Supply
BR/CTL	4	Adjustable ON/OFF Current
OUT	5	Totem-pole Output
GND	6	IC Ground
OSC	7	RC Connected Oscillator
COMP	8	Error Amplifier Feedback Output

FP5003



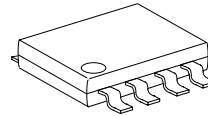
FEATURES

- FB Reference Voltage 1.0V (2%)
- Totem-pole output
- Wide operating voltage range: 3.6~25V
- Variable dead-time control (DTC)
- UVLO protection function
- SCP and Auto Re-start function
- Oscillator Frequency: Max. 1.5MHz
- Package: SOP8(EP)

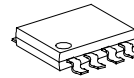
TYPICAL APPLICATION

- LCD Monitor
- ADSL Modem/Hub/LAN
- AC-DC Adaptor

Package

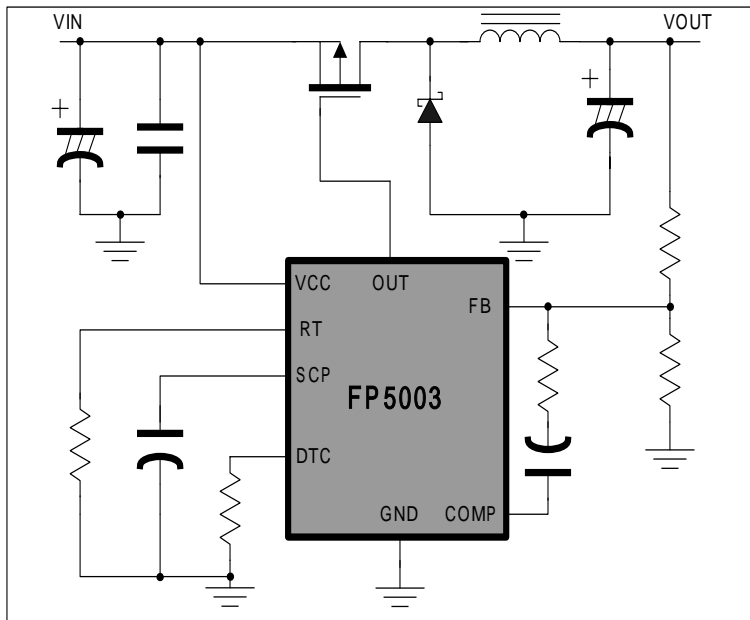


SOP8

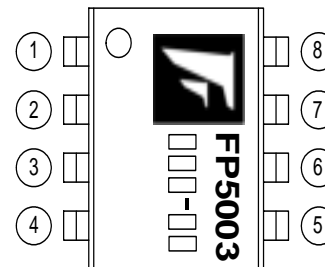


MSOP8

APPLICATION INFORMATION



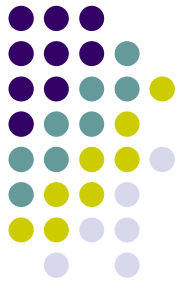
TOP VIEW



PIN DESCRIPTION

NAME	NO.	DESCRIPTION
OUT	1	Totem-pole Transistor Output
VCC	2	IC Power Supply
COMP	3	Error Amplifier Feedback Output
FB	4	Error Amplifier Inverting Input
SCP	5	Short Circuit Shutdown Protection & Re-start
DTC	6	Dead-Time Control Input
RT	7	A resistance of Oscillator
GND	8	IC Ground

FP5108



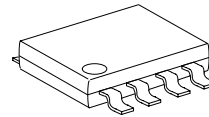
FEATURES

- FB Reference Voltage 0.5V (2%)
- Totem-pole output with adjustable on/off current
- Low operating and standby current consumption
- Wide operating voltage range: 2.0~15V
- Maximum duty cycle limit (80%)
- UVLO protection function
- Soft start function
- SCP protection function
- Oscillator Frequency: Max. 1MHz
- Logic level control standby mode
- Package: SOP8

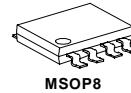
TYPICAL APPLICATION

- LCD Panel
- CCD/CATV
- DSC
- STB

Package

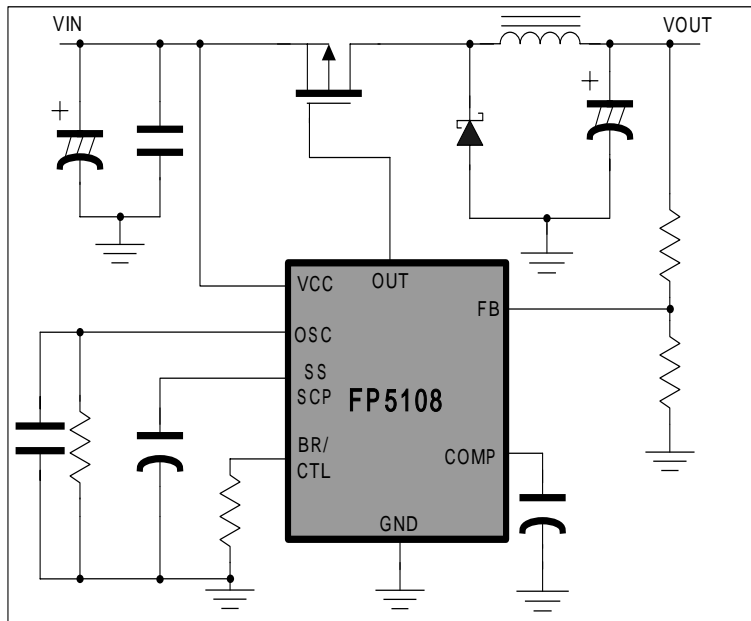


SOP8

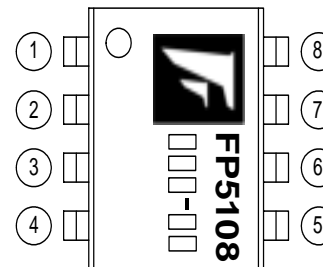


MSOP8

APPLICATION INFORMATION

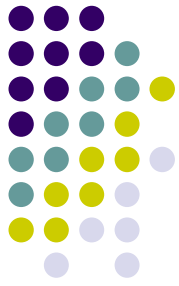


TOP VIEW

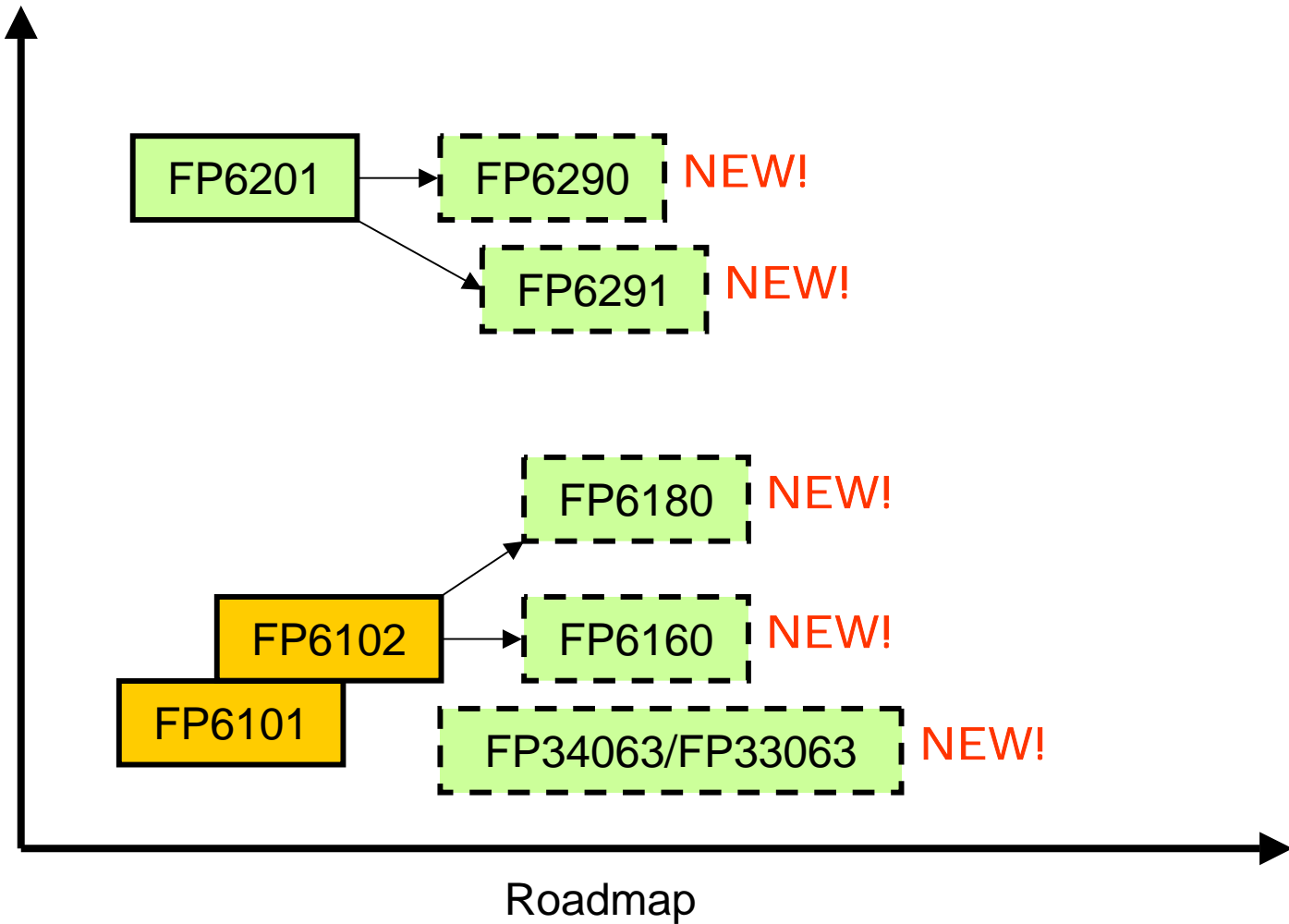


PIN DESCRIPTION

NAME	NO.	DESCRIPTION
FB	1	Error Amplifier Inverting Input
SS/SCP	2	Soft Start & Short Circuit Protection
VCC	3	IC Power Supply
BR/CTL	4	Adjustable ON/OFF Current
OUT	5	Totem-pole Output
GND	6	IC Ground
OSC	7	RC Connected Oscillator
COMP	8	Error Amplifier Feedback Output



1 CH DC-DC Regulator IC

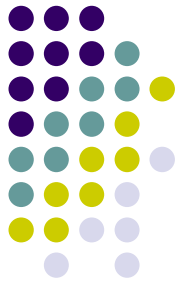




1 CH DC-DC Regulator IC

Part No.	FUNCTIONS						Op. Voltage	PACKAGE	EV. BOARD
	OSC	SCP OCP	SS	DTC	CL	DC-DC			
FP6101	V	SCP	V	X	2A	Buck	3.0~18	SOP8	V
FP6102	V	SCP	V	X	3A	Buck	3.0~12	SOP8	V
FP6201	V	SCP	V	X	2A	Boost	3.0~12	SOP8	V
NEW! FP6160	V	OCP	V	X	0.6A	Buck	2.5~5.5	SOT-25	V
NEW! FP6180	V	OCP	V	X	3A	Buck	4.75~23	SOP8(EP)	V
NEW! FP6290	2	OCP	V	X	1.5A	Boost	2.6~5.5	MSOP8	V
NEW! FP6291	2	OCP	V	X	1.5A	Boost	2.6~5.5	MSOP8	V
NEW! FP34063 FP33063	Adj	OCP	X	X	1.5A	Buck Boost Buck-Boost	3.0~30	PDIP8 SOP8 SOP8(EP)	V

FP6101



FEATURES

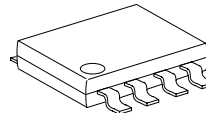
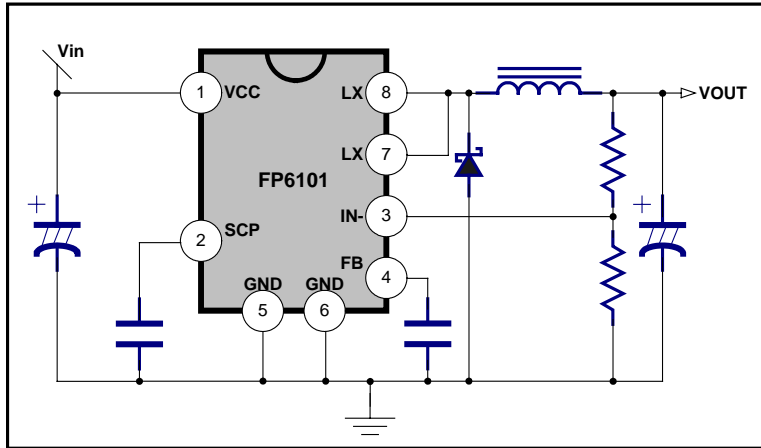
- Precision feedback reference voltage: 0.5V (2%)
- Wide supply voltage operating range: 3.0 to 18V
- Low current consumption: 5.5mA
- Internal fixed oscillator frequency: Typ. 360KHz
- Programmable Soft-Start function (SS)
- Short Circuit Shutdown and Auto Re-start function(ARSCP)
- Built-in P-MOSFET for 2A loading capability
- Package: SOP8

TYPICAL APPLICATION

- LCD Monitor
- ADSL Modem/Hub/LAN

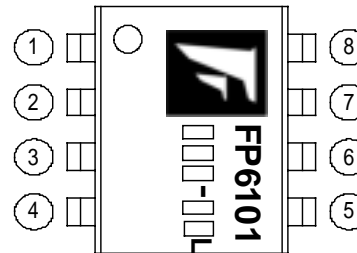
Package

APPLICATION INFORMATION



SOP8

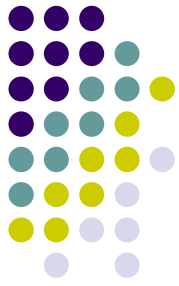
TOP VIEW



PIN DESCRIPTION

NAME	NO.	DESCRIPTION
VCC	1	IC Power Supply
SS/SCP	2	Soft-start & SCP Capacitor
IN-	3	Error Amplifier Inverting Input
FB	4	Error Amplifier Feedback Output
GND	5 6	IC Ground
LX	7 8	PMOS PWM Output

FP6102



FEATURES

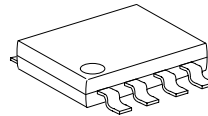
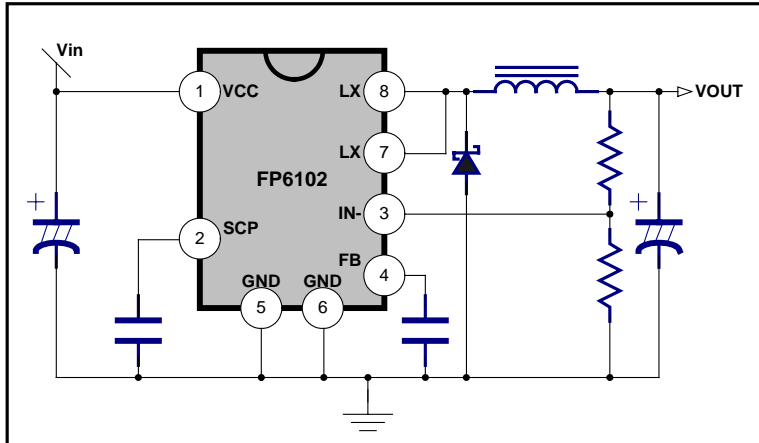
- Precision feedback reference voltage: 0.5V (2%)
- Wide supply voltage operating range: 3.0 to 18V
- Low current consumption: 5.5mA
- Internal fixed oscillator frequency: Typ. 360KHz
- Programmable Soft-Start function (SS)
- Short Circuit Shutdown and Auto Re-start function(ARSCP)
- Built-in P-MOSFET for 3A loading capability
- Package: SOP8

TYPICAL APPLICATION

- LCD Monitor
- ADSL Modem/Hub/LAN

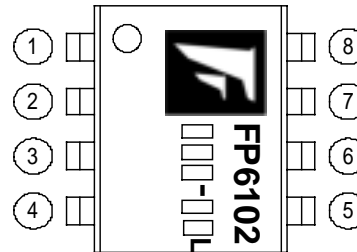
Package

APPLICATION INFORMATION



SOP8

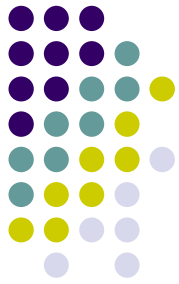
TOP VIEW



PIN DESCRIPTION

NAME	NO.	DESCRIPTION
VCC	1	IC Power Supply
SS/SCP	2	Soft-start & SCP Capacitor
IN-	3	Error Amplifier Inverting Input
FB	4	Error Amplifier Feedback Output
GND	5 6	IC Ground
LX	7 8	PMOS PWM Output

FP6201



FEATURES

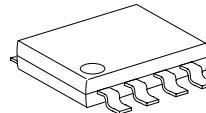
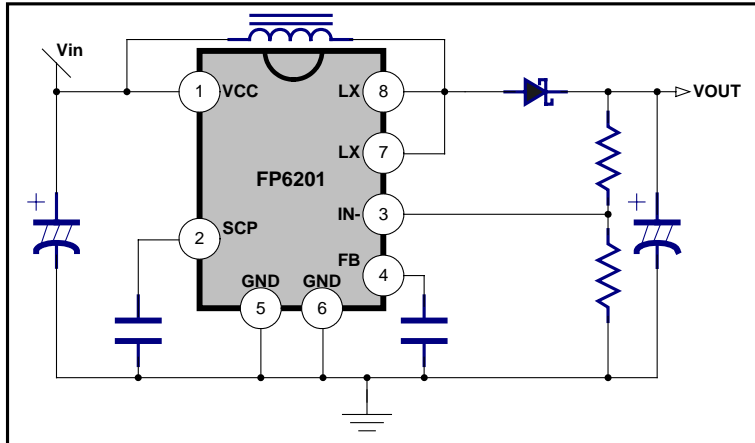
- Precision feedback reference voltage: 0.5V (2%)
- Wide supply voltage operating range: 3.0 to 12V
- Low current consumption: 5.5mA
- Internal fixed oscillator frequency: Typ. 250KHz
- Programmable Soft-Start function (SS)
- Short Circuit Shutdown and Auto Re-start function(ARSCP)
- Built-in N-MOSFET for 2A loading capability
- Package: SOP8

TYPICAL APPLICATION

- LCD Monitor
- ADSL Modem/Hub/LAN

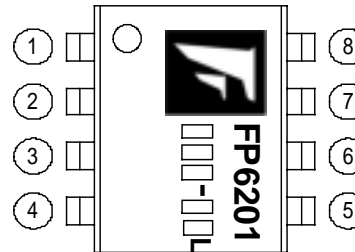
Package

APPLICATION INFORMATION



SOP8

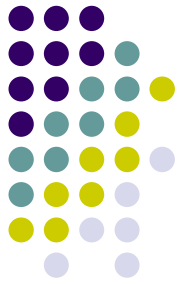
TOP VIEW



PIN DESCRIPTION

NAME	NO.	DESCRIPTION
VCC	1	IC Power Supply
SS/SCP	2	Soft-start & SCP Capacitor
IN-	3	Error Amplifier Inverting Input
FB	4	Error Amplifier Feedback Output
GND	5 6	IC Ground
LX	7 8	NMOS Drain Output

FP6160 NEW!



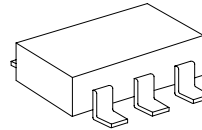
FEATURES

- Precision feedback reference voltage: 0.6V (2%)
- Adjustable Output from 0.6V to V_{in}
- Supply voltage operating range: 2.5 to 5.5V
- Low Quiescent Current: 50uA
- Internal fixed oscillator frequency: Typ. 1.5MHz
- Built-in MOSFETs for 600mA loading capability
- No Schottky Diode Required
- Over temperature protection
- Current Mode Operation
- Package: SOT-25

TYPICAL APPLICATION

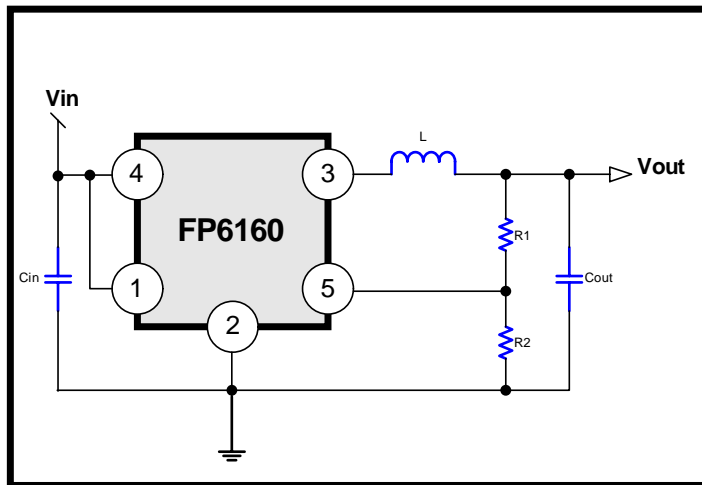
- Cellular Phone
- Wireless and DSL Modem
- Digital Still Cameras
- Portable Products

Package

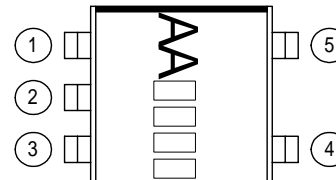


SOT-25

APPLICATION INFORMATION



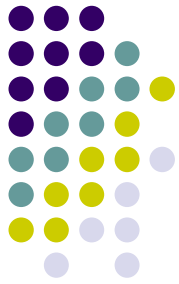
TOP VIEW



PIN DESCRIPTION

NAME	NO.	DESCRIPTION
EN	1	Shutdown/Operation
GND	2	IC Ground
LX	3	Switching Synchronous Output
VCC	4	IC Power Supply
FB	5	Error Amplifier Inverting Input

FP6180 NEW!



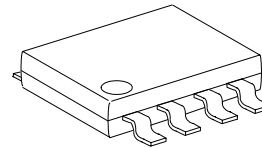
FEATURES

- Precision feedback reference voltage: 1.22V (2%)
- Wide supply voltage operating range: 4.75 to 23V
- Adjustable from 1.22V to 21V
- Low Shutdown Current: 20uA
- Internal fixed oscillator frequency: Typ. 385KHz
- Programmable Soft-Start function (SS)
- Under Voltage Lock-out (UVLO)
- Thermal Shutdown (TSD)
- Cycle-by-Cycle Current Limit Protection (OCP)
- Built-in N-MOSFET for 3A loading capability
- Package: SOP8(EP)

TYPICAL APPLICATION

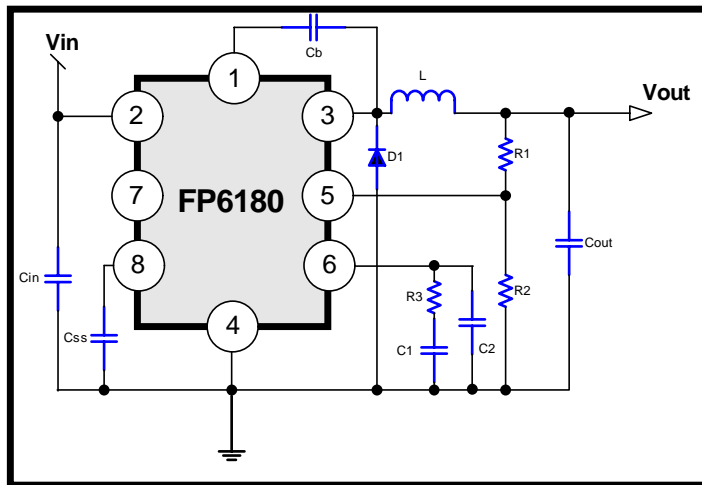
- LCD Monitor / LCD TV
- Networking System
- Audio Equipment
- SPS DC-DC Regulator

Package

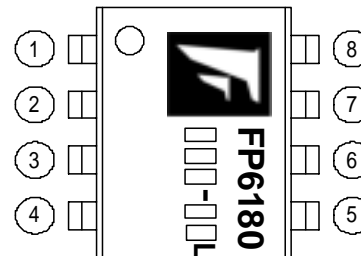


SOP8

APPLICATION INFORMATION



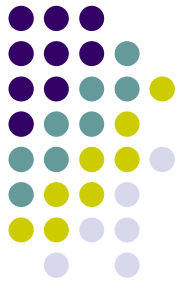
TOP VIEW



PIN DESCRIPTION

NAME	NO.	DESCRIPTION
BST	1	High Side Gate Drive Boost Input
VCC	2	IC Power Supply
LX	3	NMOS Switching Output
GND	4	IC Ground
FB	5	Error Amplifier Inverting Input
COMP	6	Error Amplifier Feedback Output
EN	7	Shutdown/Operation
SS	8	Soft-start

FP6290 NEW!



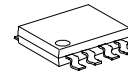
FEATURES

- Precision feedback reference voltage: 1.24V (2%)
- Input supply voltage operating range: 2.6 to 5.5V
- Adjustable output from V_{in} to +12V
- Low shutdown current: 0.1uA
- Pin controlled oscillator frequency: 640KHz/1.2MHz
- Programmable Soft-Start function (SS)
- Cycle-by-Cycle Current Limit Protection
- Built-in N-MOSFET for 1.5A, 14V loading capability
- Package: MSOP8

TYPICAL APPLICATION

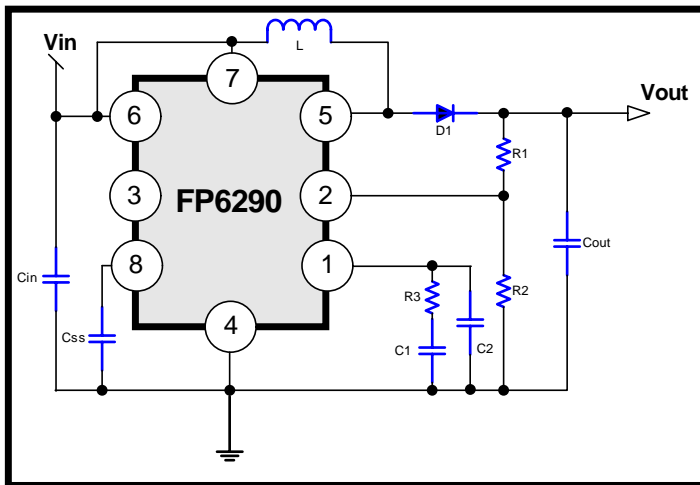
- TFT-LCD Panel
- Portable DVD-Player
- Audio Tuner System

Package

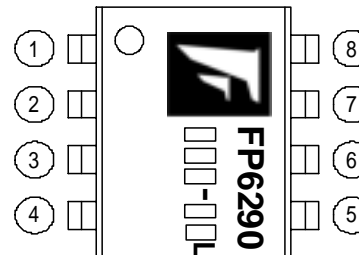


MSOP8

APPLICATION INFORMATION



TOP VIEW



PIN DESCRIPTION

NAME	NO.	DESCRIPTION
COMP	1	Error Amplifier Compensation Output
FB	2	Error Amplifier Inverting Input
SHDN	3	Shutdown Control
GND	4	IC Ground
LX	5	NMOS Switching Input
VCC	6	IC Power Supply
CKFS	7	Pin Control Frequency
SS	8	Soft-start

FP6291 NEW!



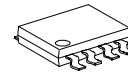
FEATURES

- Precision feedback reference voltage: 1.24V (2%)
- Input supply voltage operating range: 2.6 to 5.5V
- Adjustable output from V_{in} to +20V
- Low shutdown current: 0.1uA
- Pin controlled oscillator frequency: 640KHz/1.2MHz
- Programmable Soft-Start function (SS)
- Cycle-by-Cycle Current Limit Protection
- Built-in N-MOSFET for 1.5A, 24V loading capability
- Package: MSOP8

TYPICAL APPLICATION

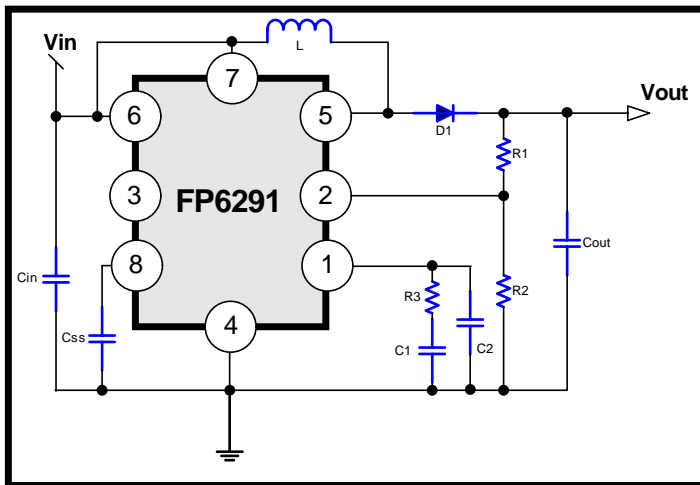
- TFT-LCD Panel
- Portable DVD-Player
- Audio Tuner System

Package

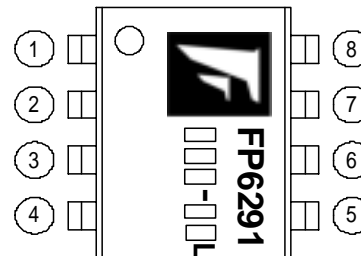


MSOP8

APPLICATION INFORMATION



TOP VIEW



PIN DESCRIPTION

NAME	NO.	DESCRIPTION
COMP	1	Error Amplifier Compensation Output
FB	2	Error Amplifier Inverting Input
SHDN	3	Shutdown Control
GND	4	IC Ground
LX	5	NMOS Switching Input
VCC	6	IC Power Supply
CKFS	7	Pin Control Frequency
SS	8	Soft-start

FP34063/33063

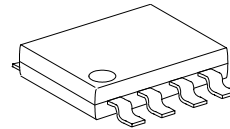
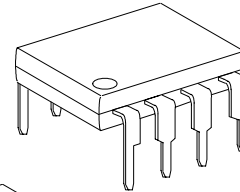
NEW!



- **FEATURES**
- Precision feedback reference voltage: 1.25V (2%)
- Wide supply voltage operating range: 3.0 to 30V
- Low standby current
- Adjustable oscillator frequency: Typ. 100KHz
- Current Limit
- Driving Capacity: 1.5A
- Package: PDIP8/SOP8

- **TYPICAL APPLICATION**
- LCD Monitor
- ADSL Modem/Hub/LAN

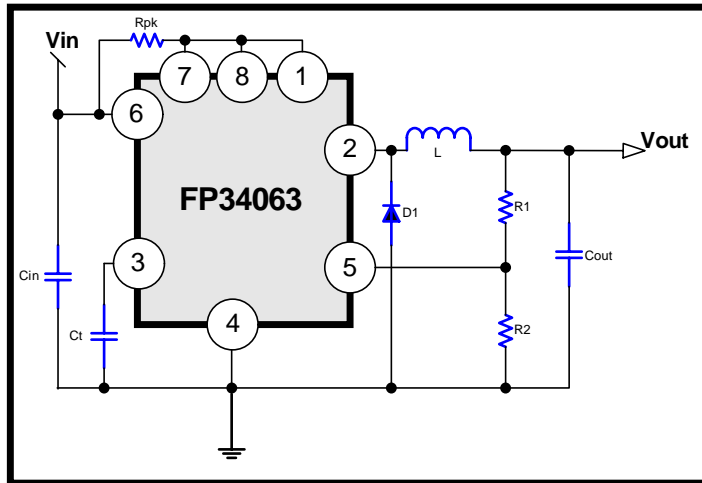
- **Package**



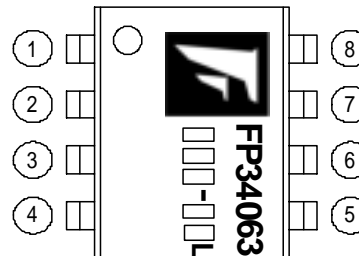
PDIP8

SOP8

APPLICATION INFORMATION

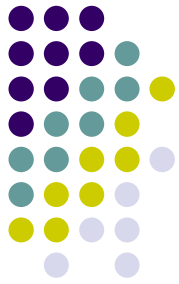


TOP VIEW

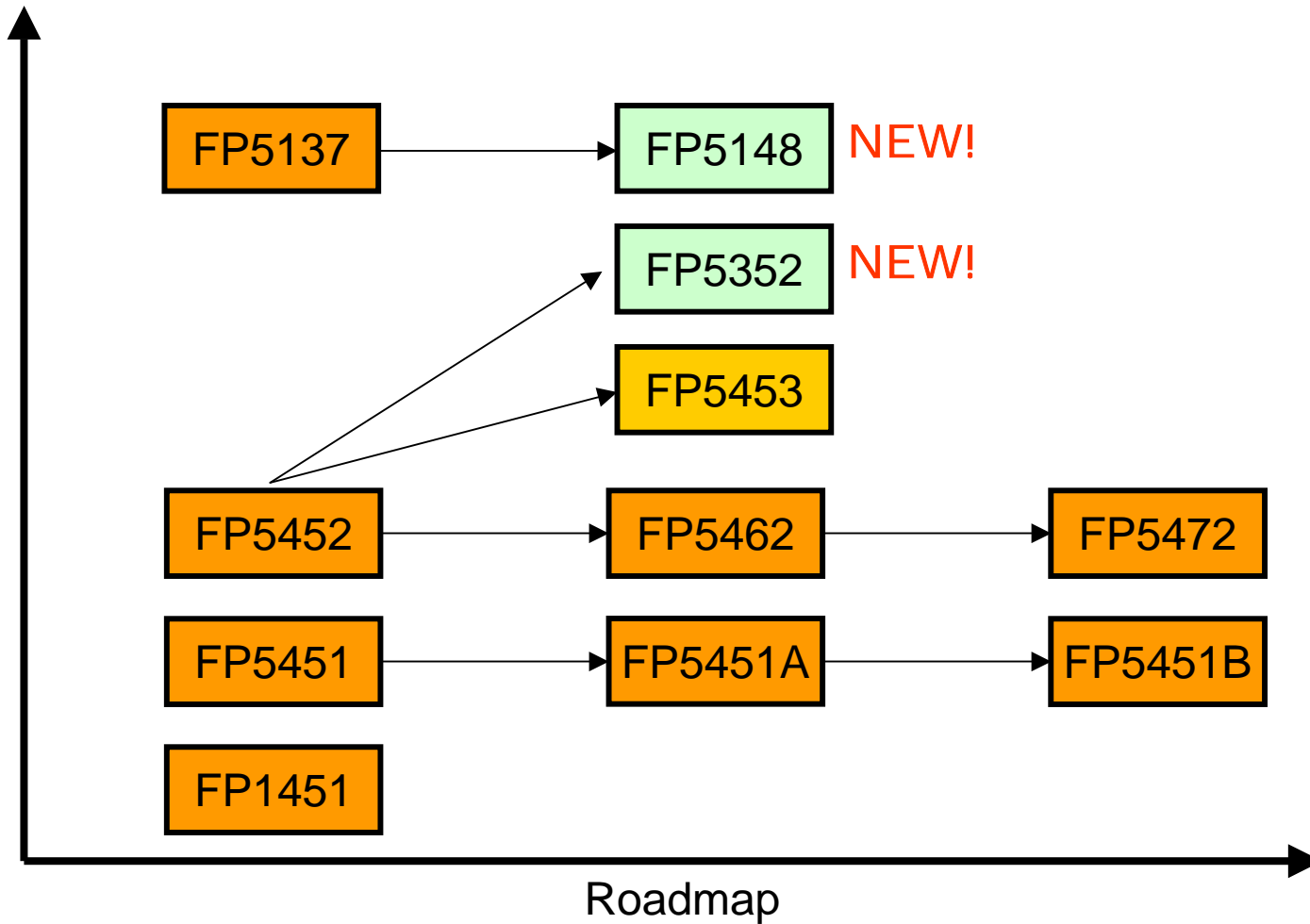


PIN DESCRIPTION

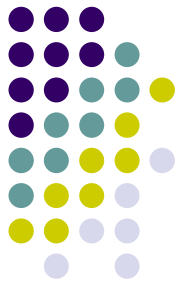
NAME	NO.	DESCRIPTION
SC	1	Switch Collector
SE	2	Switch Emitter
TC	3	Oscillator Timing Capacitor
GND	4	IC Ground
IN-	5	Feedback Comparator Inverting Input
VCC	6	IC Power Supply
IpK	7	Current Sense Input
DC	8	Driver Collector



2 CH DC-DC Converter IC



2 CH DC-DC Converter IC



Part No.	FUNCTIONS						Op. Voltage	PACKAGE	EV. BOARD
	OSC	SCP OCP	SS SD	DTC	O/P	DC-DC			
FP1451	Adj	SCP	X	V	OC	BUCK/ BOOST	3.6~30	PDIP16 SOP16	V
FP5451x	Adj	SCP	X	V	OC	BUCK/ BOOST	3.6~30	PDIP16 SOP16	V
FP54x2	Adj	SCP	X	V	TP	BUCK/ BOOST	3.6~25	SOP16/ SSOP16	V
FP5453	Adj	SCP	X	V	TP	BUCK	3.6~30	SOP16	V
NEW! FP5352	Adj	SCP OVP	V	V	TP	BUCK	3.6~25	SOP16 SSOP16	V
NEW! FP5148	Adj	SCP OCP	V	X	TP	BUCK	4.0~20	SOP16	V

FP1451

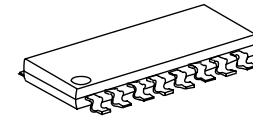
FEATURES

- Reference Voltage: 2.5V (2%)
- Output sink current up to 100mA
- Low quiescent supply current
- Wide operating voltage range: 3.6~30V
- Variable dead-time control (DTC)
- UVLO protection function
- SCP protection function
- Oscillator Frequency: Max. 500KHz
- Package: PDIP16/ SOP16

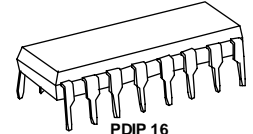
TYPICAL APPLICATION

- LCD Monitor
- Backlight CCFL inverter
- ADSL/CABLE Modem
- HUB/Wireless LAN

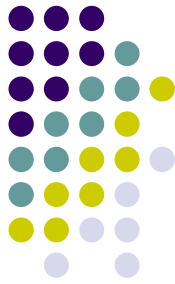
Package



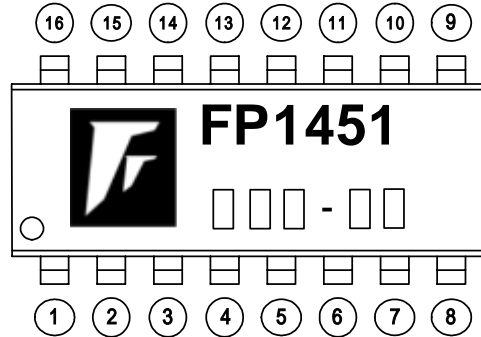
SOP16



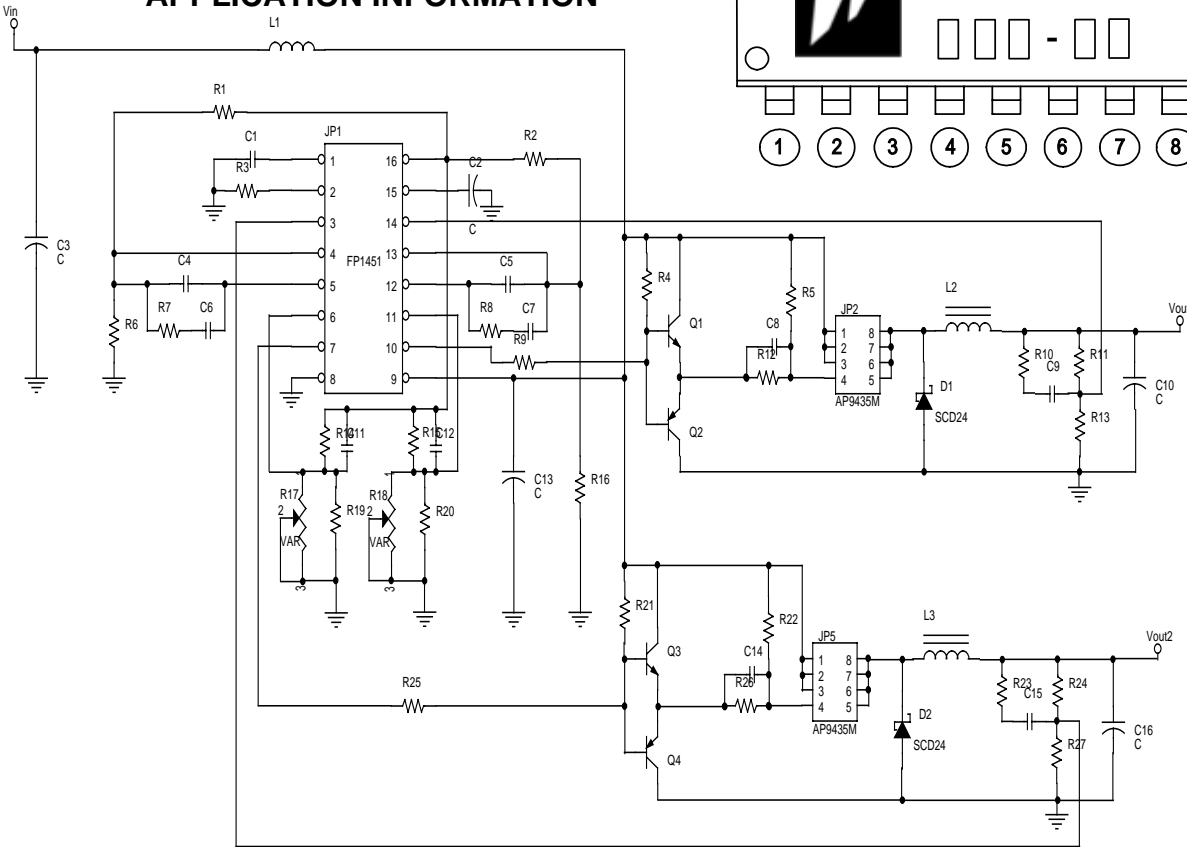
PDIP16



TOP VIEW



APPLICATION INFORMATION



PIN DESCRIPTION

NAME	NO.	DESCRIPTION
CT	1	Connect a Capacitor for Oscillator
RT	2	Connect a Resistor for Oscillator
EA1+	3	Error Amplifier 1 Non-inverting Input
EA1-	4	Error Amplifier 1 Inverting Input
FB1	5	Error Amplifier 1 Feedback Output
DTC1	6	Output 1 Dead-Time Comparator
OUT1	7	Open Collector Output 1
GND	8	IC Ground
VCC	9	IC Power Supply
OUT2	10	Open Collector Output 2
DTC2	11	Output 2 Dead-Time Comparator
FB2	12	Error Amplifier 2 Feedback Output
EA2-	13	Error Amplifier 2 Inverting Input
EA2+	14	Error Amplifier 2 Non-inverting Input
SCP	15	Short Circuit Protection Input
VREF	16	2.5V Reference Voltage Output

FP5451/A/B

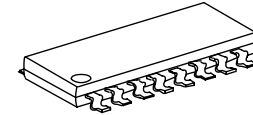
FEATURES

- Reference Voltage: 2.5V (2%)
- Output sink current up to 100mA
- Low quiescent supply current
- Wide operating voltage range: 3.6~30V
- Variable dead-time control (DTC)
- UVLO protection function
- SCP protection function
- Oscillator Frequency: Max. 500KHz
- Package: PDIP16/ SOP16

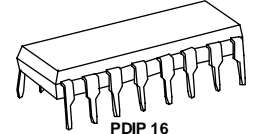
TYPICAL APPLICATION

- LCD Monitor
- Backlight CCFL inverter
- ADSL/CABLE Modem
- HUB/Wireless LAN

Package



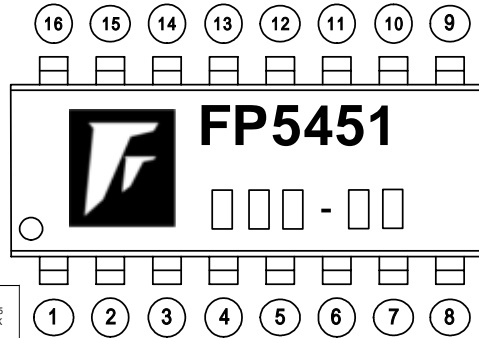
SOP16



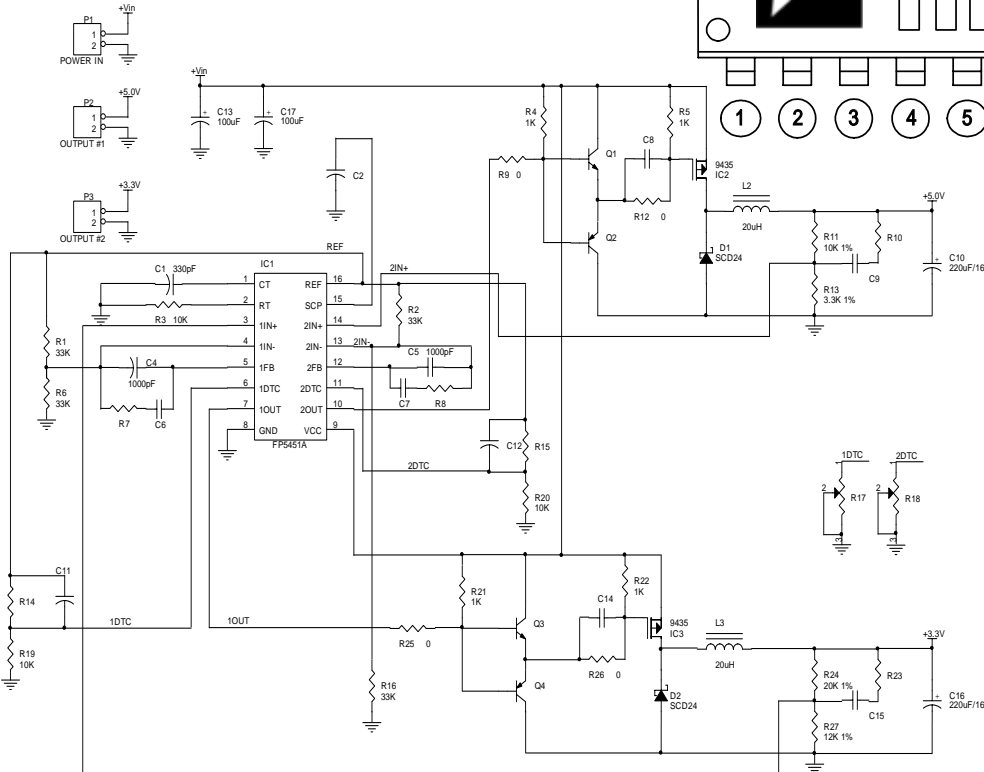
PDIP16



TOP VIEW



APPLICATION INFORMATION



PIN DESCRIPTION

NAME	NO.	DESCRIPTION
CT	1	Connect a Capacitor for Oscillator
RT	2	Connect a Resistor for Oscillator
EA1+	3	Error Amplifier 1 Non-inverting Input
EA1-	4	Error Amplifier 1 Inverting Input
FB1	5	Error Amplifier 1 Feedback Output
DTC1	6	Output 1 Dead-Time Comparator
OUT1	7	Open Collector Output 1
GND	8	IC Ground
VCC	9	IC Power Supply
OUT2	10	Open Collector Output 2
DTC2	11	Output 2 Dead-Time Comparator
FB2	12	Error Amplifier 2 Feedback Output
EA2-	13	Error Amplifier 2 Inverting Input
EA2+	14	Error Amplifier 2 Non-inverting Input
SCP	15	Short Circuit Protection Input
VREF	16	2.5V Reference Voltage Output

FP5452

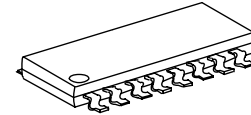
FEATURES

- Reference Voltage: 2.5V (2%)
- Totem-pole high driving/ sink current up to 100mA
- Low quiescent supply current
- Wide operating voltage range: 3.6~25V
- Variable dead-time control (DTC)
- UVLO protection function
- SCP protection function
- Oscillator Frequency: Max. 500KHz
- Package: SOP16/SSOP16

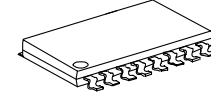
TYPICAL APPLICATION

- LCD Monitor
- Backlight CCFL inverter
- ADSL/CABLE Modem
- HUB/Wireless LAN

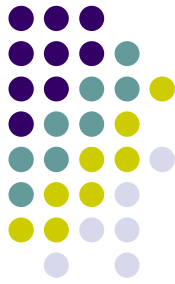
Package



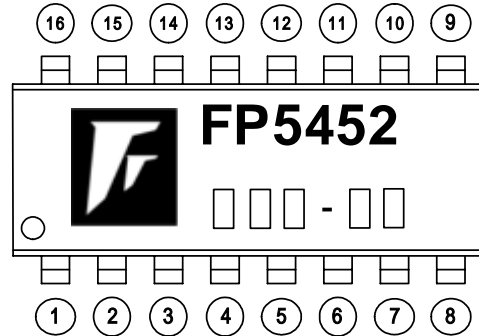
SOP16



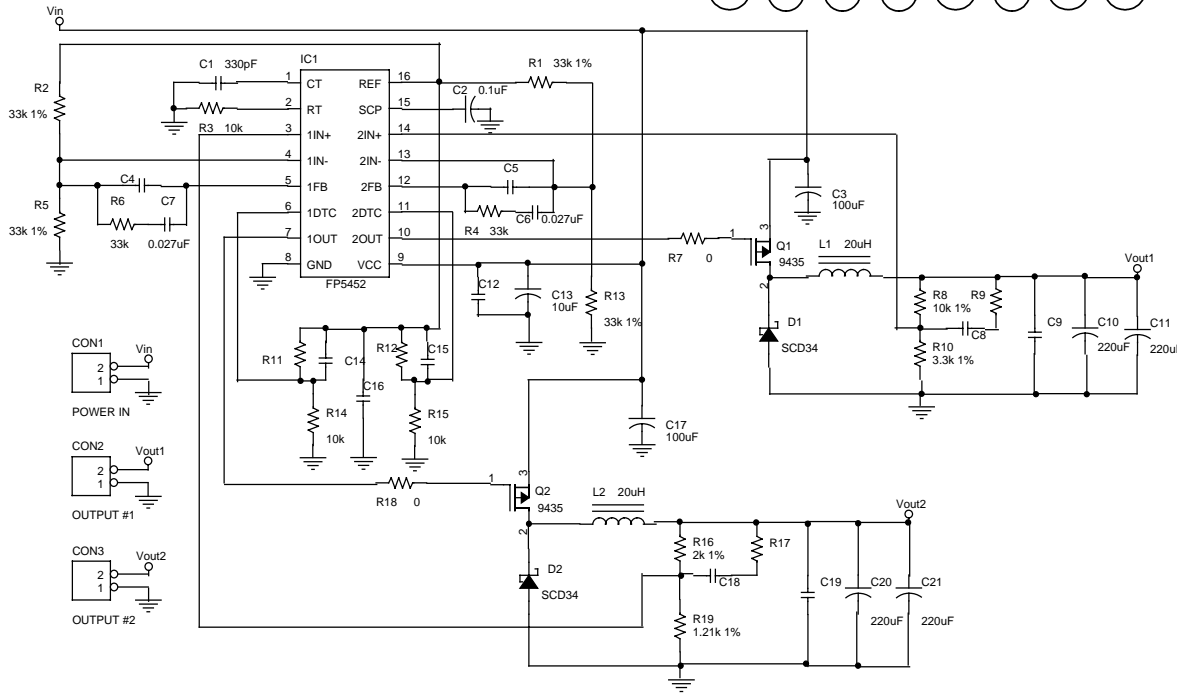
SSOP 16



TOP VIEW



APPLICATION INFORMATION



PIN DESCRIPTION

NAME	NO.	DESCRIPTION
CT	1	Connect a Capacitor for Oscillator
RT	2	Connect a Resistor for Oscillator
EA1+	3	Error Amplifier 1 Non-inverting Input
EA1-	4	Error Amplifier 1 Inverting Input
FB1	5	Error Amplifier 1 Feedback Output
DTC1	6	Output 1 Dead-Time Comparator
OUT1	7	Open Collector Output 1
GND	8	IC Ground
VCC	9	IC Power Supply
OUT2	10	Open Collector Output 2
DTC2	11	Output 2 Dead-Time Comparator
FB2	12	Error Amplifier 2 Feedback Output
EA2-	13	Error Amplifier 2 Inverting Input
EA2+	14	Error Amplifier 2 Non-inverting Input
SCP	15	Short Circuit Protection Input
VREF	16	2.5V Reference Voltage Output

FP5462

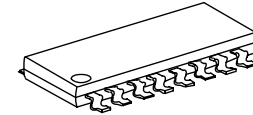
FEATURES

- Reference Voltage: 2.5V (2%)
- Totem-pole high driving/ sink current up to 100mA
- Low quiescent supply current
- Wide operating voltage range: 3.6~25V
- Variable dead-time control (DTC)
- UVLO protection function
- SCP protection function
- Oscillator Frequency: Max. 500KHz
- Package: PDIP16/ SOP16

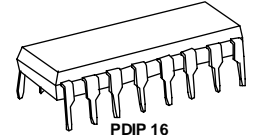
TYPICAL APPLICATION

- LCD Monitor/TV
- TFT-LCD Panel
- Portable DVD Set
- STB

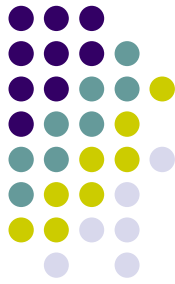
Package



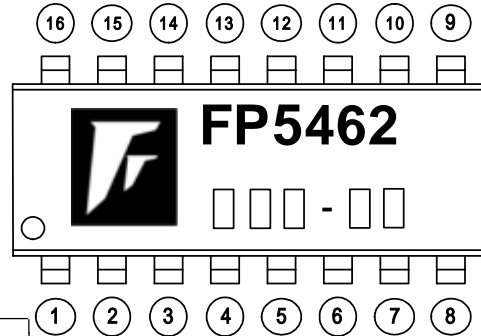
SOP16



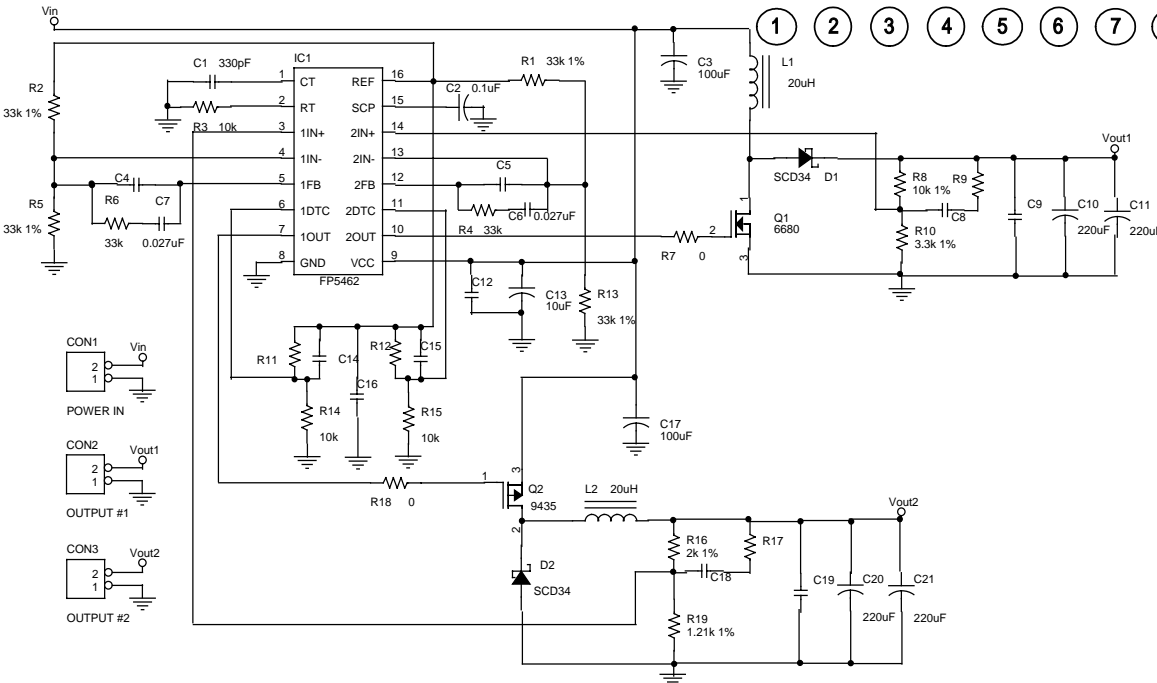
PDIP16



TOP VIEW



APPLICATION INFORMATION



PIN DESCRIPTION

NAME	NO.	DESCRIPTION
CT	1	Connect a Capacitor for Oscillator
RT	2	Connect a Resistor for Oscillator
EA1+	3	Error Amplifier 1 Non-inverting Input
EA1-	4	Error Amplifier 1 Inverting Input
FB1	5	Error Amplifier 1 Feedback Output
DTC1	6	Output 1 Dead-Time Comparator
OUT1	7	Open Collector Output 1
GND	8	IC Ground
VCC	9	IC Power Supply
OUT2	10	Open Collector Output 2
DTC2	11	Output 2 Dead-Time Comparator
FB2	12	Error Amplifier 2 Feedback Output
EA2-	13	Error Amplifier 2 Inverting Input
EA2+	14	Error Amplifier 2 Non-inverting Input
SCP	15	Short Circuit Protection Input
VREF	16	2.5V Reference Voltage Output

FP5472

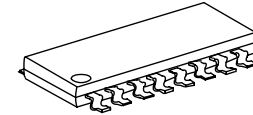
FEATURES

- Reference Voltage: 2.5V (2%)
- Totem-pole high driving/ sink current up to 100mA
- Low quiescent supply current
- Wide operating voltage range: 3.6~25V
- Variable dead-time control (DTC)
- UVLO protection function
- SCP protection function
- Oscillator Frequency: Max. 500KHz
- Package: PDIP16/ SOP16

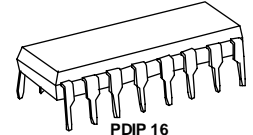
TYPICAL APPLICATION

- IPC
- LED Lamp
- Backlight LED module
- STB

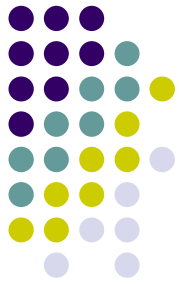
Package



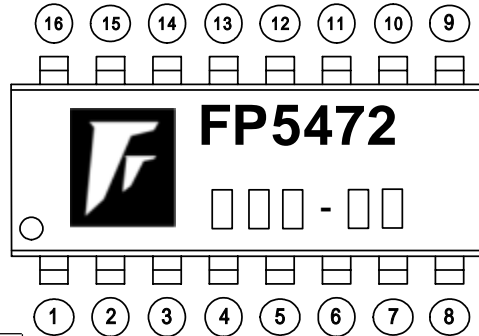
SOP16



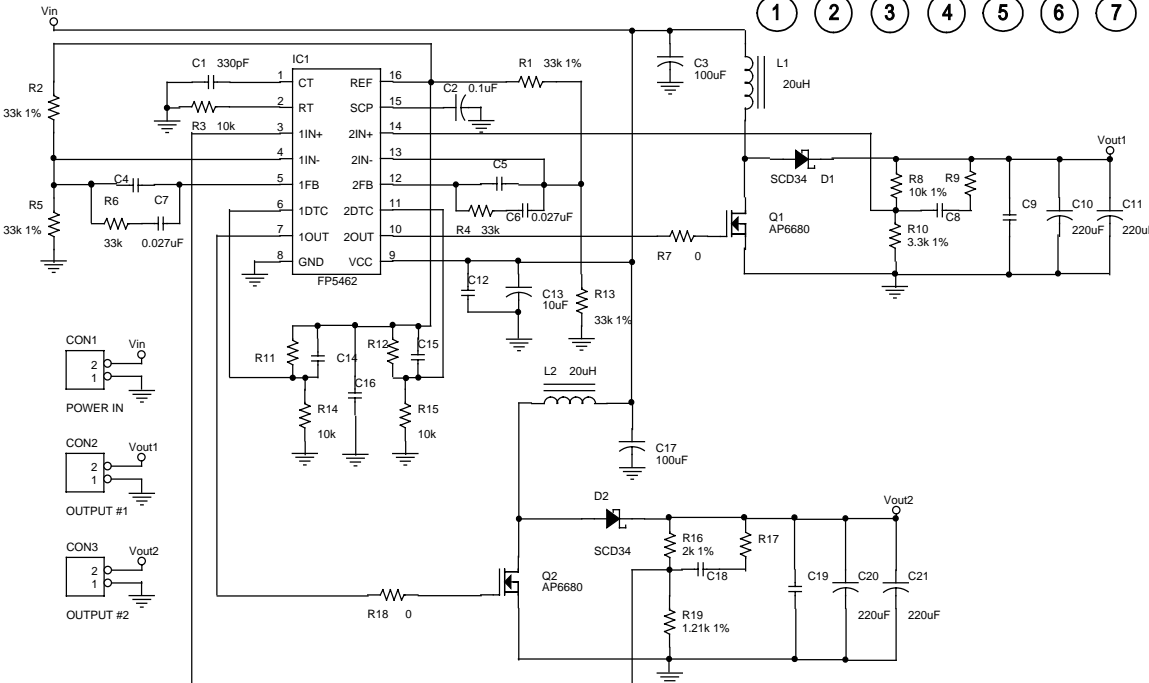
PDIP16



TOP VIEW



APPLICATION INFORMATION



PIN DESCRIPTION

NAME	NO.	DESCRIPTION
CT	1	Connect a Capacitor for Oscillator
RT	2	Connect a Resistor for Oscillator
EA1+	3	Error Amplifier 1 Non-inverting Input
EA1-	4	Error Amplifier 1 Inverting Input
FB1	5	Error Amplifier 1 Feedback Output
DTC1	6	Output 1 Dead-Time Comparator
OUT1	7	Open Collector Output 1
GND	8	IC Ground
VCC	9	IC Power Supply
OUT2	10	Open Collector Output 2
DTC2	11	Output 2 Dead-Time Comparator
FB2	12	Error Amplifier 2 Feedback Output
EA2-	13	Error Amplifier 2 Inverting Input
EA2+	14	Error Amplifier 2 Non-inverting Input
SCP	15	Short Circuit Protection Input
VREF	16	2.5V Reference Voltage Output

FP5453

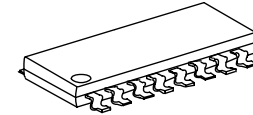
FEATURES

- Reference Voltage: 2.5V (2%)
- Totem-pole high driving/ sink current up to 100mA
- Low quiescent supply current
- Wide operating voltage range: 3.6~25V
- Variable dead-time control (DTC)
- UVLO protection function
- SCP protection function (Auto Re-start)
- Oscillator Frequency: Max. 500KHz
- Package: SOP16/SSOP16

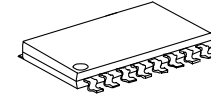
TYPICAL APPLICATION

- LCD Monitor/TV
- PC Peripheral
- ADSL/CABLE Modem
- HUB/Wireless LAN

Package



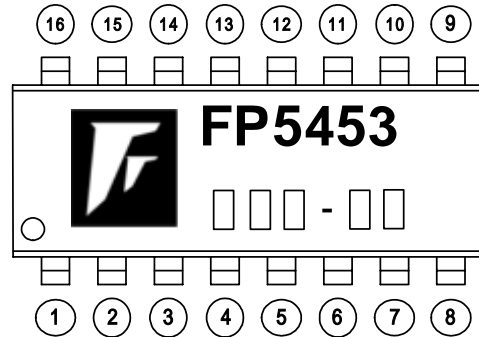
SOP16



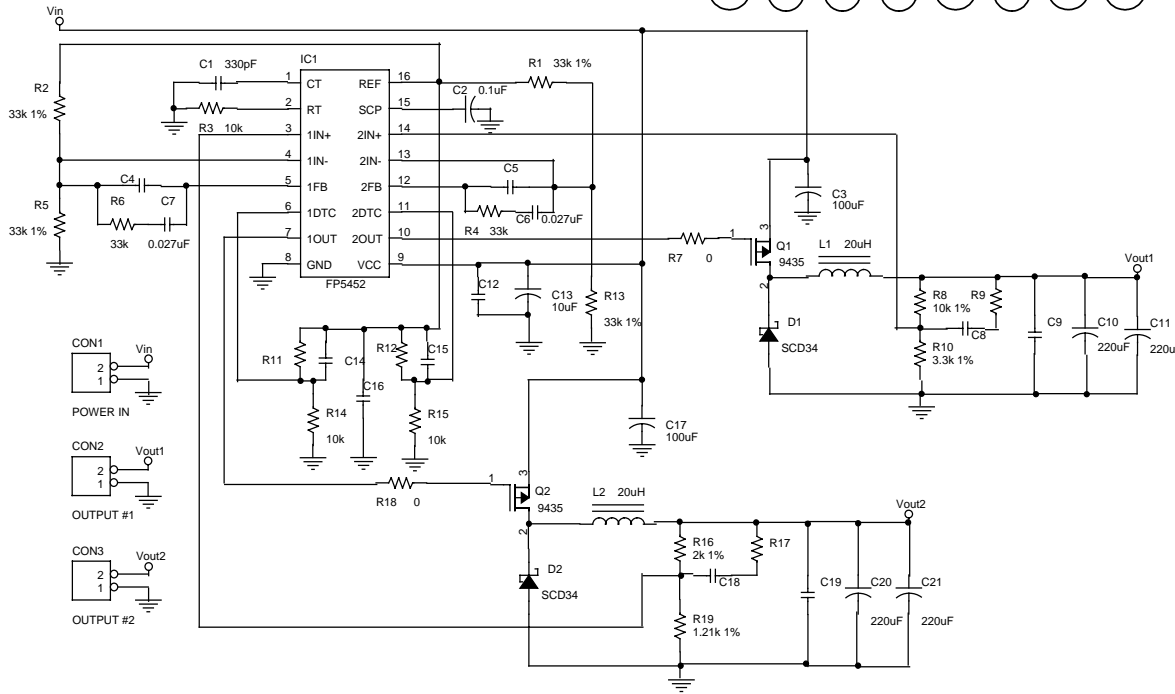
SSOP 16



TOP VIEW



APPLICATION INFORMATION



PIN DESCRIPTION

NAME	NO.	DESCRIPTION
CT	1	Connect a Capacitor for Oscillator
RT	2	Connect a Resistor for Oscillator
EA1+	3	Error Amplifier 1 Non-inverting Input
EA1-	4	Error Amplifier 1 Inverting Input
FB1	5	Error Amplifier 1 Feedback Output
DTC1	6	Output 1 Dead-Time Comparator
OUT1	7	Open Collector Output 1
GND	8	IC Ground
VCC	9	IC Power Supply
OUT2	10	Open Collector Output 2
DTC2	11	Output 2 Dead-Time Comparator
FB2	12	Error Amplifier 2 Feedback Output
EA2-	13	Error Amplifier 2 Inverting Input
EA2+	14	Error Amplifier 2 Non-inverting Input
SCP	15	Short Circuit Protection Input
VREF	16	2.5V Reference Voltage Output

FP5352 NEW!



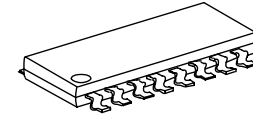
FEATURES

- Internal EA Bias Reference Voltage: 1.0V
- Reference Voltage Precision: 2%
- Totem-pole Output for MOS Driving
- Dual PWM Output Phase Shift 180°
- Wide operating voltage range: 3.6~25V
- Variable Dead-time Control (DTC)
- Power Down Under-voltage Lock-out (UVLO)
- SC/OV Protection (SCP/OVP)
- Protection Shutdown and Auto-restart
- Shutdown Mode (ON/OFF)
- Programming Oscillation Frequency
- Package: SOP16/SSOP16

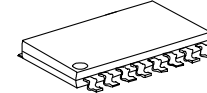
TYPICAL APPLICATION

- LCD Monitor/TV
- PC Peripheral
- ADSL/CABLE Modem
- HUB/Wireless LAN

Package



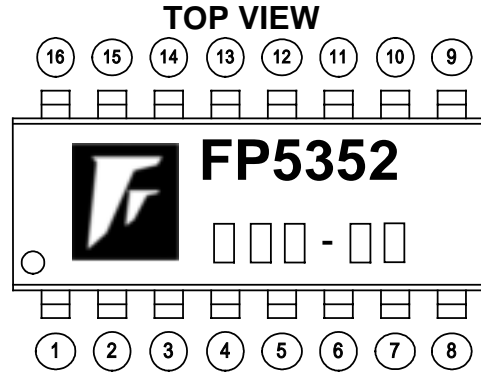
SOP16



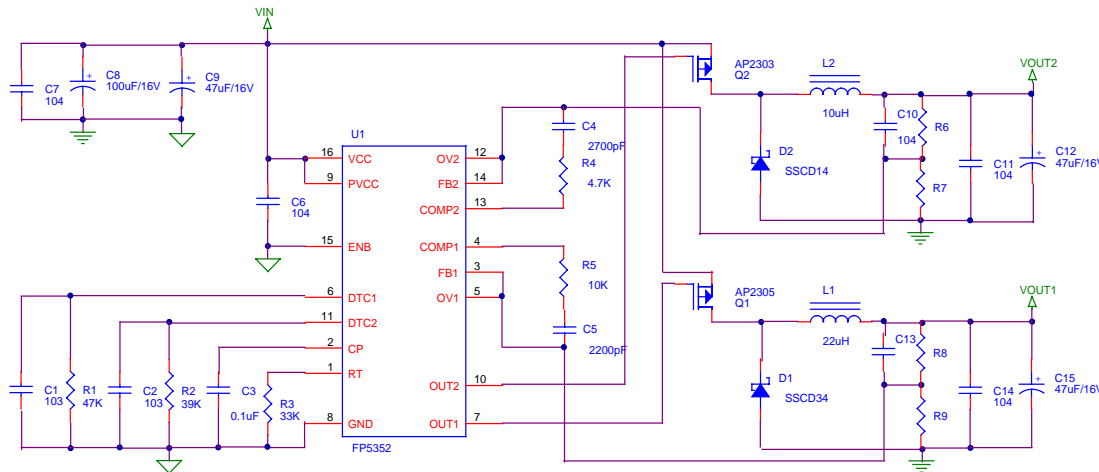
SSOP16

PIN DESCRIPTION

NAME	NO.	DESCRIPTION
RT	1	Connect a Resistor for Oscillator
CP	2	Shutdown Re-start Control Timer
FB1	3	Error Amplifier 1 Non-inverting Input
COMP1	4	Error Amplifier 1 Feedback Output
OVP1	5	CH1 Over Voltage Detection Input
DTC1	6	Output 1 Dead-Time Control Input
OUT1	7	CH1 PWM Output
GND	8	IC Ground
PVCC	9	Totem-pole Power Supply
OUT2	10	CH2 PWM Output
DTC2	11	Output 2 Dead-Time Control Input
OVP2	12	CH2 Over Voltage Detection Input
COMP2	13	Error Amplifier 2 Feedback Output
FB2	14	Error Amplifier 2 Non-inverting Input
ENB	15	ON/OFF Control Input
VCC	16	IC Power Supply



APPLICATION INFORMATION



FP5148 NEW!

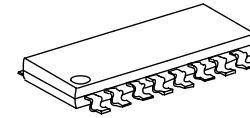
FEATURES

- Internal EA Bias Reference Voltage: 0.8V
- Reference Voltage Precision: 2%
- High/Low Side Totem-pole Output Driver
- Dual PWM Output Phase Shift 180°
- Wide operating voltage range: 4.0~20V
- Soft-start (SS) Shutdown Mode
- Power Drop Under-voltage Lock-out (UVLO)
- Adjustable Over Current Protection (OCP)
- Short Circuit Protection (SCP)
- Programmable Oscillator Frequency
- Package: SOP16/SSOP16

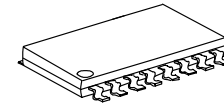
TYPICAL APPLICATION

- HDD Server Box
- HUB/Wireless LAN
- PC Peripheral
- VGA Card

Package



SOP16

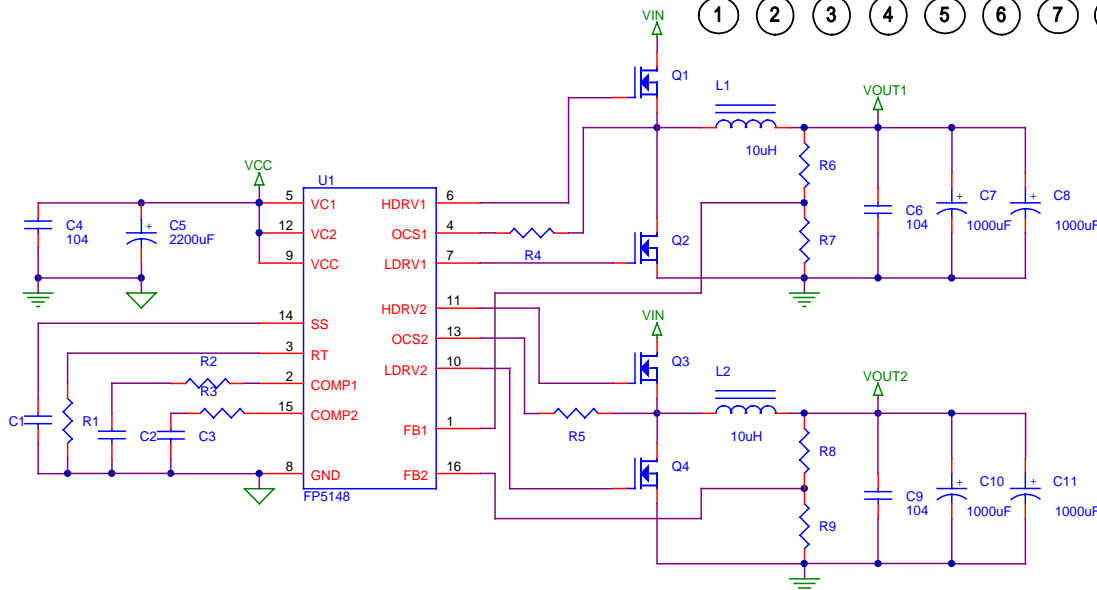
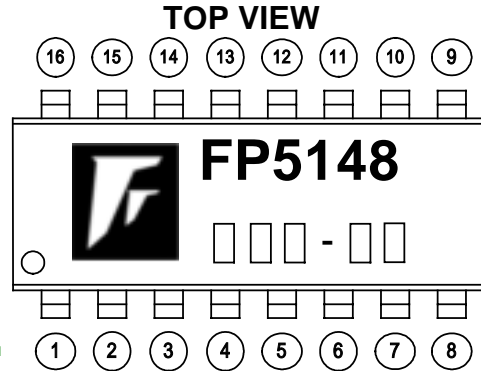


SSOP 16

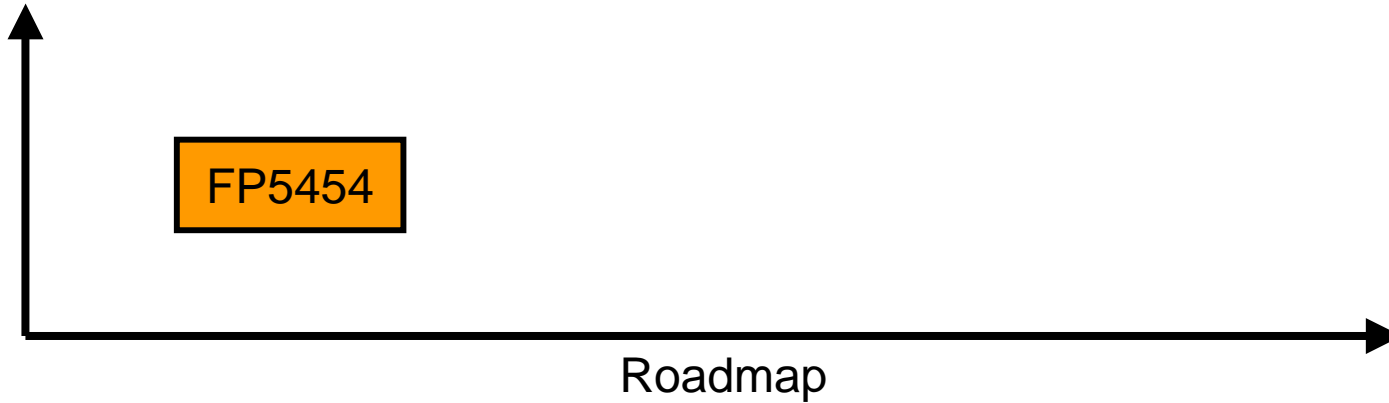
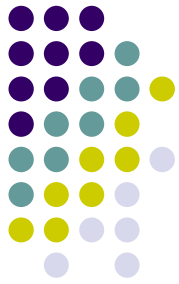
PIN DESCRIPTION

NAME	NO.	DESCRIPTION
FB1	1	CH1 Error Amplifier Input
COMP1	2	CH1 Error Amplifier Output
RT	3	Connect a Resistor for Oscillator
OCS1	4	CH1 Over Current Set Input
VC1	5	CH1 MOS Drive Supply Voltage
HDRV1	6	CH1 High Side NMOS Driver
LDRV1	7	CH1 Low Side NMOS Driver
PGND	8	IC Ground
VCC	9	IC Power Supply
LDRV2	10	CH2 Low Side NMOS Driver
HDRV2	11	CH2 High Side NMOS Driver
VC2	12	CH2 MOS Drive Supply Voltage
OCS2	13	CH2 Over Current Set Input
SS	14	A capacitor for Soft-start Pull down under 0.5V for Shutdown
COMP2	15	CH2 Error Amplifier Output
FB2	16	CH2 Error Amplifier Input

APPLICATION INFORMATION

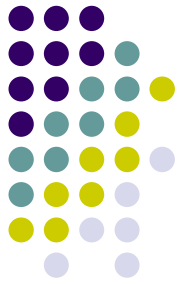


4 CH DC-DC Converter IC



Part No.	FUNCTIONS						Op. Voltage	PACKAGE	EV. BOARD
	OSC	SCP	SS	DTC	O/P	DC-DC			
FP5454	Adj	V	X	V	OC	BUCK/ BOOST	3.6~30	SSOP28	V

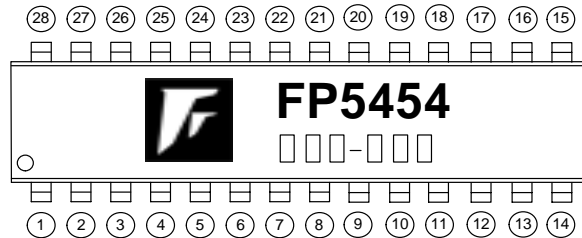
FP5454



- **FEATURES**
- Reference Voltage: 2.5V (2%)
- Open collector sink current up to 100mA
- Low quiescent supply current
- Wide operating voltage range: 3.6~30V
- Enable function
- Variable dead-time control (DTC)
- UVLO protection function
- SCP protection function
- Oscillator Frequency: Max. 500KHz
- Package: SSOP28

- **TYPICAL APPLICATION**
- LCD Monitor/TV
- Backlight CCFL inverter
- STB

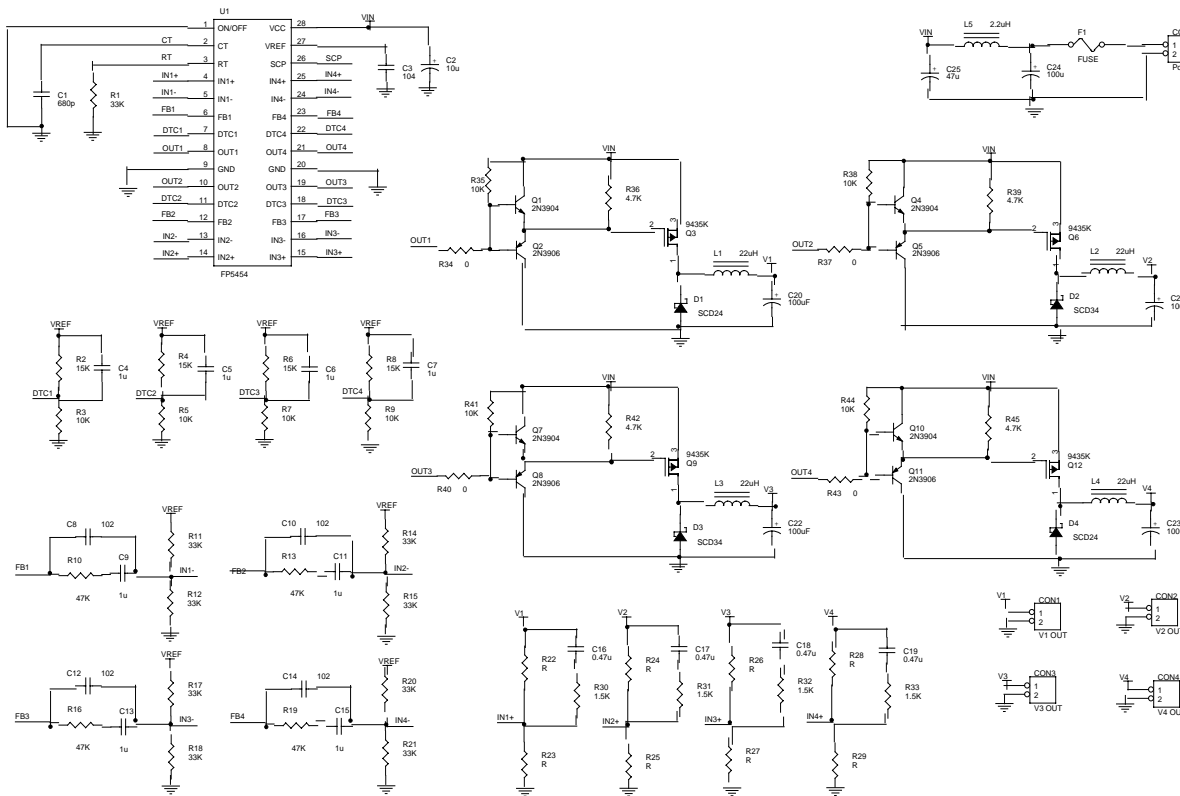
TOP VIEW



PIN DESCRIPTION

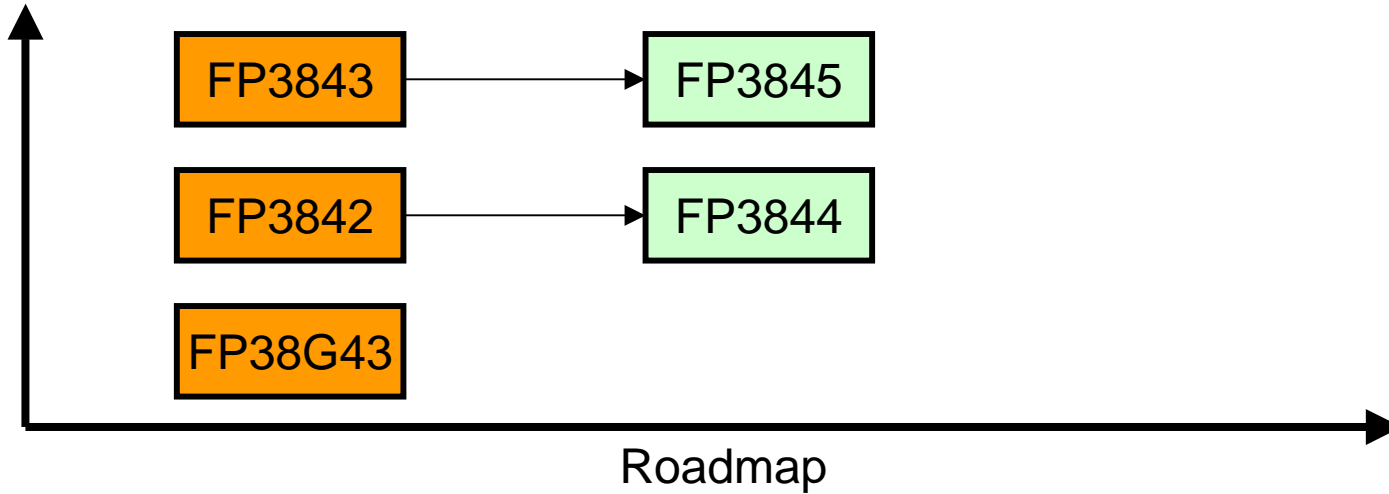
NAME	NO.	DESCRIPTION
ENABLE	1	Enable function
CT	2	Connect a Capacitor for Oscillator
RT	3	Connect a Resistor for Oscillator
EA1-4+	4, 14, 15, 25	Error Amplifier Non-inverting Input
EA1-4-	5, 13, 16, 24	Error Amplifier Inverting Input
FB1-4	6, 12, 17, 23	Error Amplifier Feedback Output
DTC1-4	7, 11, 18, 22	Output Dead-Time Comparator
OUT1-4	8, 10, 19, 21	Open Collector Output
GND	20	IC Ground
SCP	26	Connect a Capacitor for Short Circuit Protection
VREF	27	2.5V Reference Voltage Output
VCC	28	IC Power Supply

APPLICATION INFORMATION





AC-DC PWM Converter IC



Part No.	FUNCTIONS					Op. Voltage	PACKAGE	EV. BOARD
	OSC	UVLO	DUTY	O/P	GREEN			
FP3842/3	Adj	16/10 7.6/8.4	98%	TP	X	UVLO ~ 25	PDIP8 SOP8	V
FP3844/5	Adj		49%	TP	X		PDIP8 SOP8	V
FP38G43	Adj	7.6/8.4	98%	TP	V		PDIP8 SOP8	V

FP3842

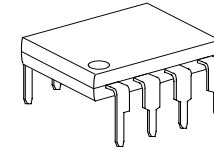
FEATURES

- Precision Reference Voltage 5.0V (2%)
- High Current Totem-pole Output up to 700mA
- Low Start-up current: 80uA
- Internal temperature compensated oscillator
- Double pulse suppression
- UVLO with Hysteresis function (16V/10V)
- Oscillator Frequency: Max. 500KHz
- Package: PDIP8/ SOP8

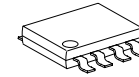
TYPICAL APPLICATION

- SPS
- AC Adaptor
- Current Mode DC/DC Converter

Package



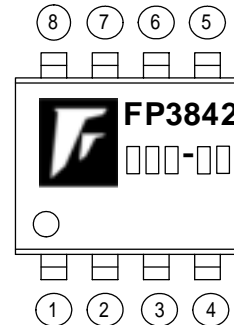
DIP8



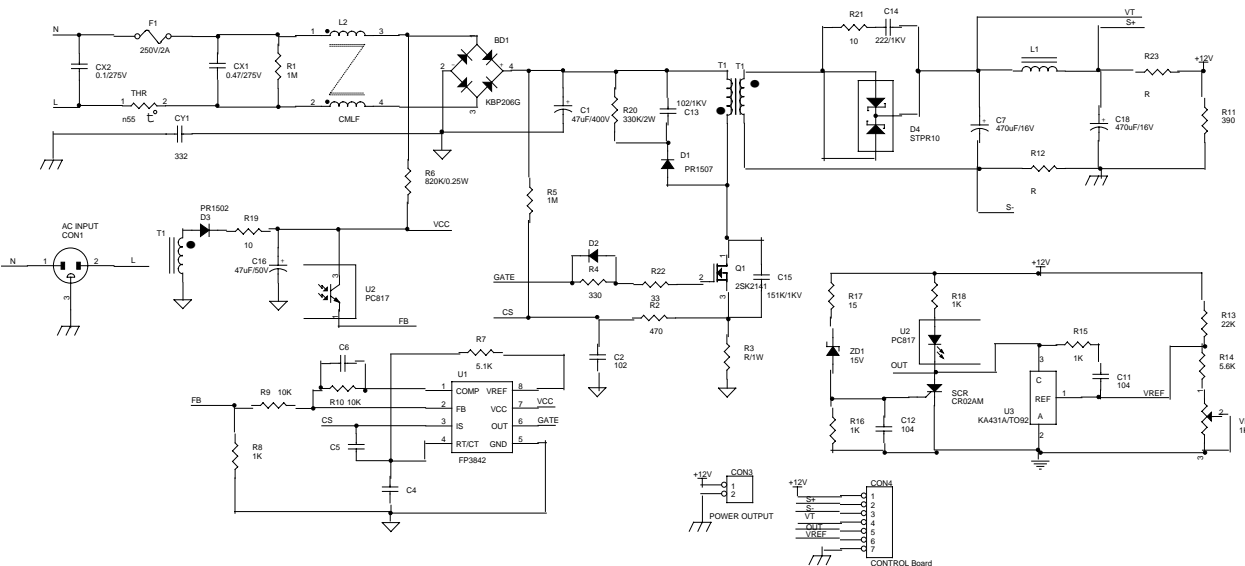
SOP8



TOP VIEW



APPLICATION INFORMATION



PIN DESCRIPTION

NAME	NO.	DESCRIPTION
COMP	1	Error Amplifier Feedback Output
FB	2	Error Amplifier Inverting Input
CS	3	Current Sense Input
OSC	4	RC Oscillator
GND	5	IC Ground
OUT	6	Totem-pole Transistor Output
VCC	7	IC Power Supply
VREF	8	5.0V Reference Voltage Output

FP3843

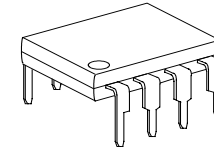
FEATURES

- Precision Reference Voltage 5.0V (2%)
- High Current Totem-pole Output up to 700mA
- Low Start-up current: 50µA
- Internal temperature compensated oscillator
- Double pulse suppression
- UVLO with Hysteresis function (8.4V/7.6V)
- Oscillator Frequency: Max. 500KHz
- Package: PDIP8/ SOP8

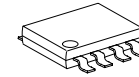
TYPICAL APPLICATION

- SPS
- AC Adaptor
- Current Mode DC/DC Converter

Package

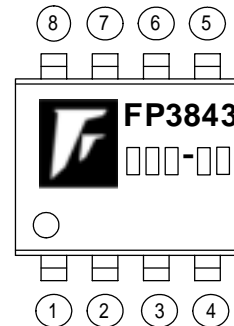


DIP8

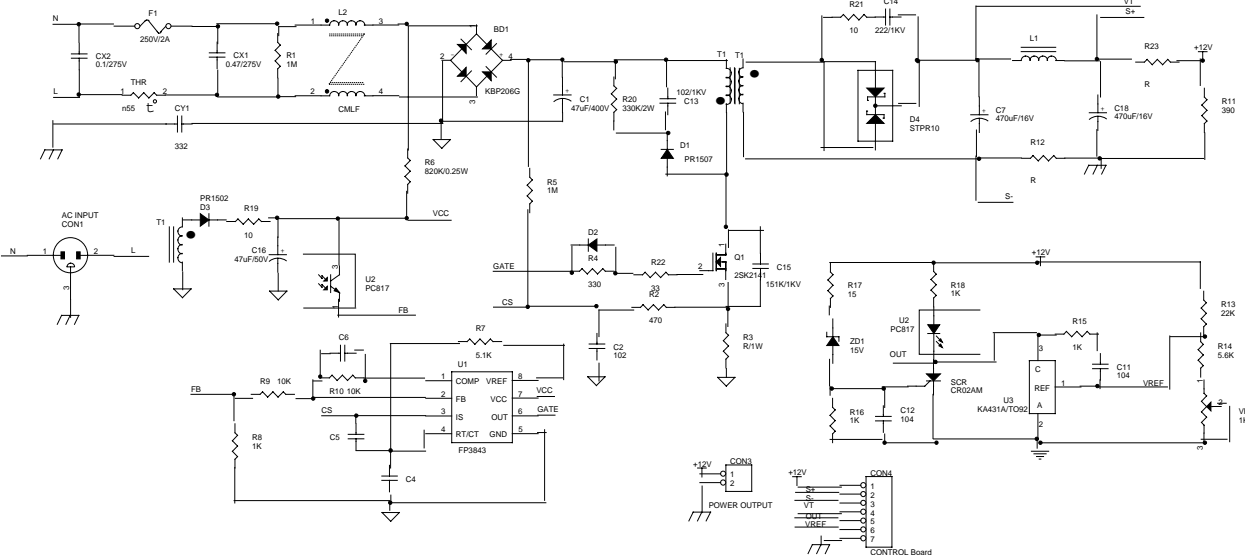


SOP8

TOP VIEW



APPLICATION INFORMATION



PIN DESCRIPTION

NAME	NO.	DESCRIPTION
COMP	1	Error Amplifier Feedback Output
FB	2	Error Amplifier Inverting Input
CS	3	Current Sense Input
OSC	4	RC Oscillator
GND	5	IC Ground
OUT	6	Totem-pole Transistor Output
VCC	7	IC Power Supply
VREF	8	5.0V Reference Voltage Output



FP3844

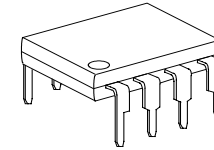
FEATURES

- Precision Reference Voltage 5.0V (2%)
- High Current Totem-pole Output up to 700mA
- Low Start-up current: 80µA
- Internal temperature compensated oscillator
- Double pulse suppression
- UVLO with Hysteresis function (16V/10V)
- Oscillator Frequency: Max. 500KHz
- Maximum duty: 48%
- Package: PDIP8/ SOP8

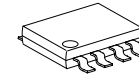
TYPICAL APPLICATION

- SPS
- AC Adaptor
- Current Mode DC/DC Converter
- AC-DC Charger

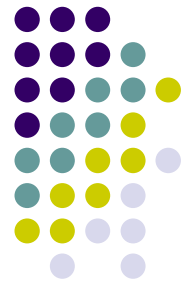
Package



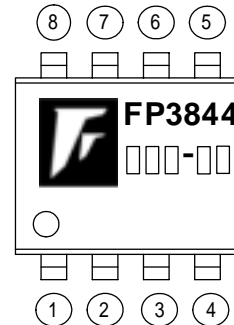
DIP8



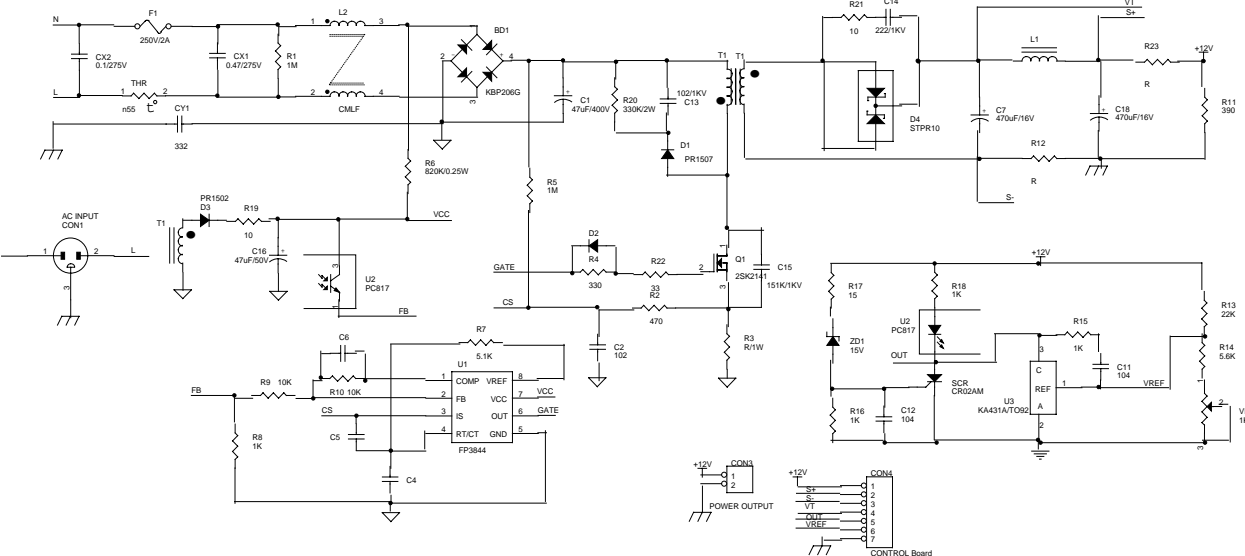
SOP8



TOP VIEW



APPLICATION INFORMATION



PIN DESCRIPTION

NAME	NO.	DESCRIPTION
COMP	1	Error Amplifier Feedback Output
FB	2	Error Amplifier Inverting Input
CS	3	Current Sense Input
OSC	4	RC Oscillator
GND	5	IC Ground
OUT	6	Totem-pole Transistor Output
VCC	7	IC Power Supply
VREF	8	5.0V Reference Voltage Output

FP3845

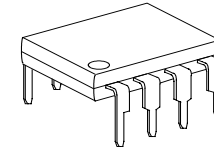
FEATURES

- Precision Reference Voltage 5.0V (2%)
- High Current Totem-pole Output up to 700mA
- Low Start-up current: 50µA
- Internal temperature compensated oscillator
- Double pulse suppression
- UVLO with Hysteresis function (8.4V/7.6V)
- Oscillator Frequency: Max. 500KHz
- Maximum duty: 48%
- Package: PDIP8/ SOP8

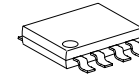
TYPICAL APPLICATION

- SPS
- AC Adaptor
- Current Mode DC/DC Converter
- UPS

Package



DIP8



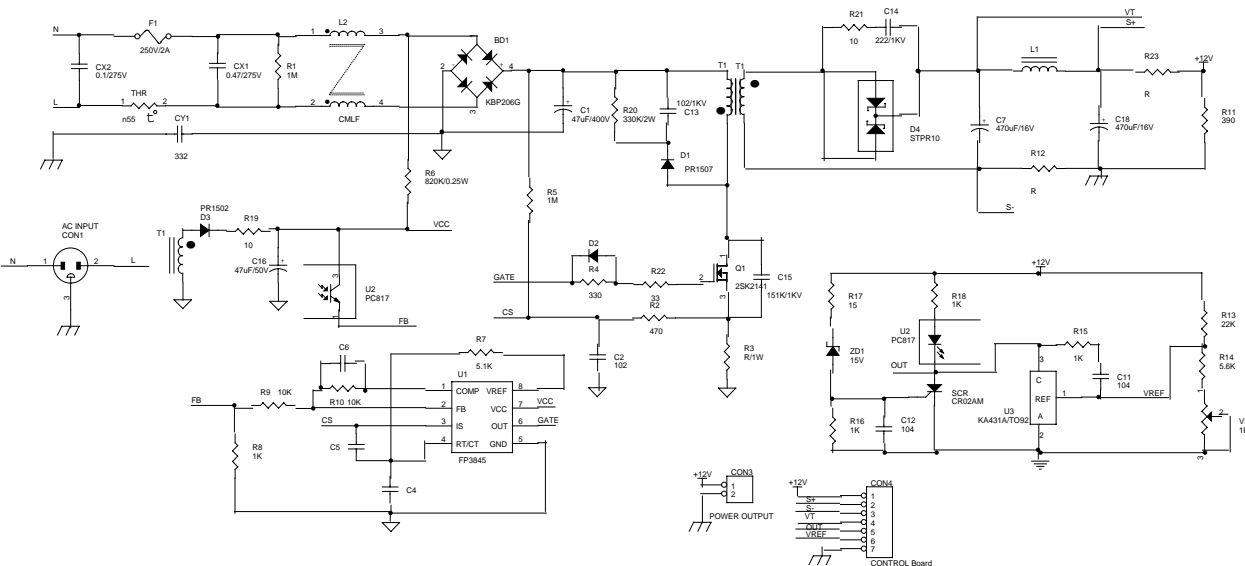
SOP8



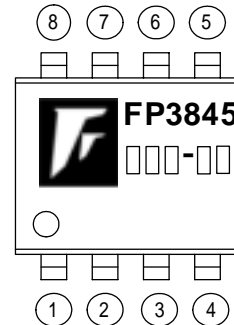
PIN DESCRIPTION

NAME	NO.	DESCRIPTION
COMP	1	Error Amplifier Feedback Output
FB	2	Error Amplifier Inverting Input
CS	3	Current Sense Input
OSC	4	RC Oscillator
GND	5	IC Ground
OUT	6	Totem-pole Transistor Output
VCC	7	IC Power Supply
VREF	8	5.0V Reference Voltage Output

APPLICATION INFORMATION



TOP VIEW



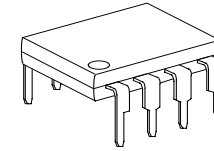
FP38G43

FEATURES

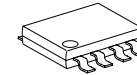
- Precision Reference Voltage 5.0V (2%)
- High Current Totem-pole Output up to 700mA
- Low Start-up current: 50uA
- Internal temperature compensated oscillator
- Light-loading burst mode for Green Power Supply
- Double pulse suppression
- UVLO with Hysteresis function (8.4V/7.6V)
- Oscillator Frequency: Max. 500KHz
- Package: PDIP8/ SOP8

- TYPICAL APPLICATION
- SPS
- AC Adaptor

- Package



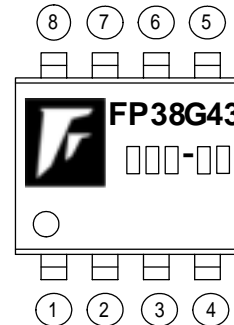
DIP8



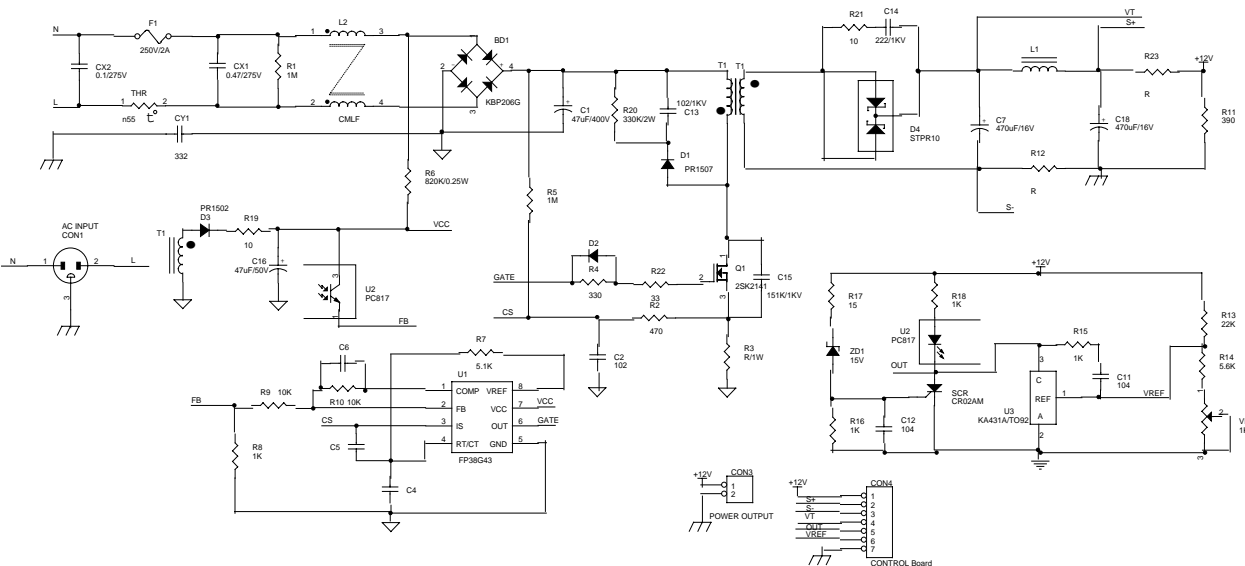
SOP8



TOP VIEW



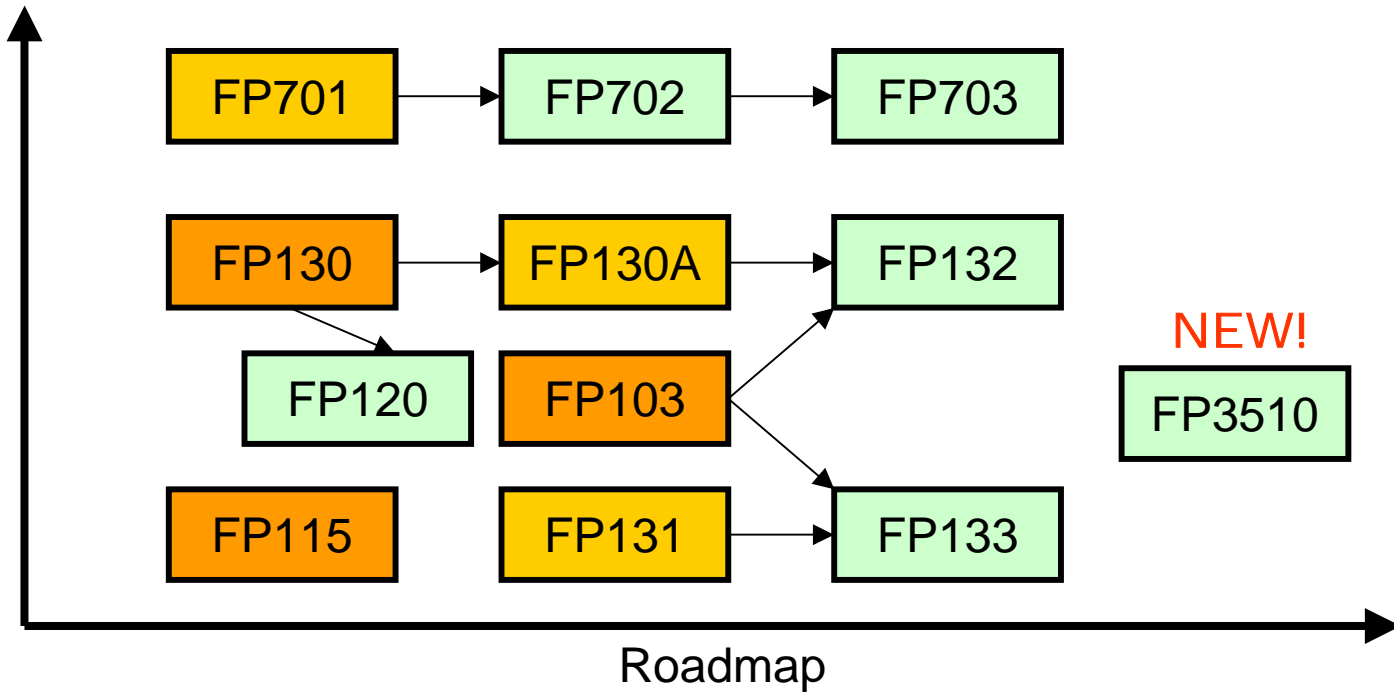
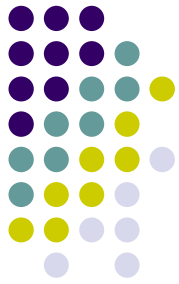
APPLICATION INFORMATION



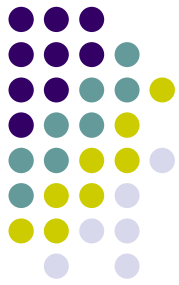
PIN DESCRIPTION

NAME	NO.	DESCRIPTION
COMP	1	Error Amplifier Feedback Output
FB	2	Error Amplifier Inverting Input
CS	3	Current Sense Input
OSC	4	RC Oscillator
GND	5	IC Ground
OUT	6	Totem-pole Transistor Output
VCC	7	IC Power Supply
VREF	8	5.0V Reference Voltage Output

AC-DC CV/CC/OLP IC

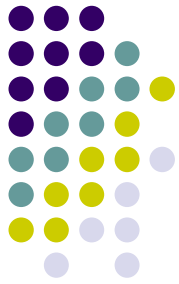


AC-DC CV/CC/OLP IC



Part No.	FUNCTIONS					Op. Voltage	PACKAGE	EV. BOARD
	VREF	O/P	CV	CC	OCP			
FP103	2.5V	TP	V	V	V	3.0~32	PDIP8 SOP8	V
FP115	1.25V	OE	V	-	V	2.5~12	SOT-25	V
FP701/2	1.25V	OC	X	X	X	3.0~20	SOT-25	V
FP703	X							
FP130/A	X	-	X	X	V	2.7~25(28)	SOP8 SOT-25	V
FP120	X	-	X	X	V	2.7 ~ 15		
FP131	X	OC	X	X	V	2.7~28	SOP8	V
FP132	2.5V	-	V	V	X	2.7~28	SOP8	-
FP133	2.5V	OC	V	X	V	2.7~28	SOP8	V
NEW! FP3510	PGI PGO	OC	OVP	UVP	X	4~15	PDIP8 SOP8	-

FP103/A



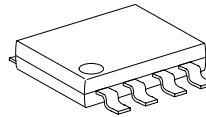
FEATURES

- Fixed Reference Voltage 2.5V (0.5%, 1%)
- Reference sink current 1mA~100mA
- Low quiescent supply current under 1mA
- Wide operating voltage range: 3V~32V
- Low input offset voltage: 0.5mV
- Unity gain bandwidth: 0.9MHz
- Package: PDIP8/ SOP8

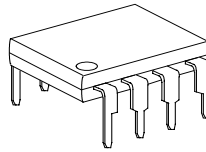
TYPICAL APPLICATION

- AC Adaptor
- SPS
- AC Battery Charger

Package

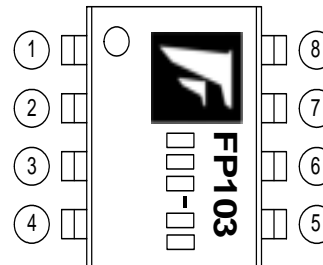


SOP8

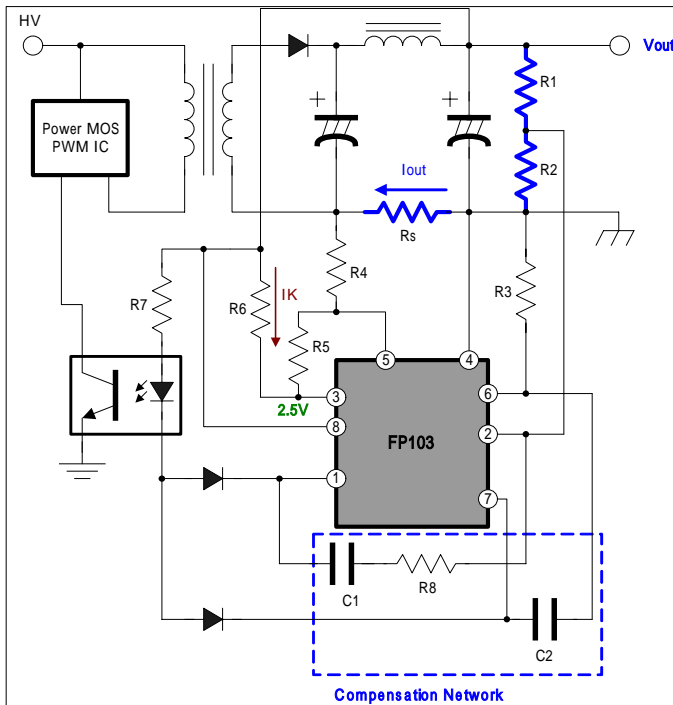


DIP8

TOP VIEW



APPLICATION INFORMATION



PIN DESCRIPTION

NAME	NO.	DESCRIPTION
OUT1	1	OPA1 Totem-pole Output
IN1-	2	OPA1 Inverting Input
VREF	3	OPA1 Non-inverting Input 2.5V Reference
VEE	4	IC Ground or Negative Power Supply
IN2+	5	OPA2 Non-inverting Input
IN2-	6	OPA2 Inverting Input
OUT2	7	OPA2 Totem-pole Output
VCC	8	IC Positive Power Supply

FP115

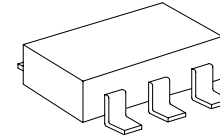
FEATURES

- Fixed Reference Voltage 1.25V (2%)
- Output sink current up to 10mA
- Wired-AND open emitter output
- Low quiescent supply current
- Wide operating voltage range: 2.5~12V
- Low offset voltage: OPA1 (3mV)
OPA2 (0.5mV)
- Package: SOT-25

TYPICAL APPLICATION

- Battery Charger
- AC Adaptor

Package

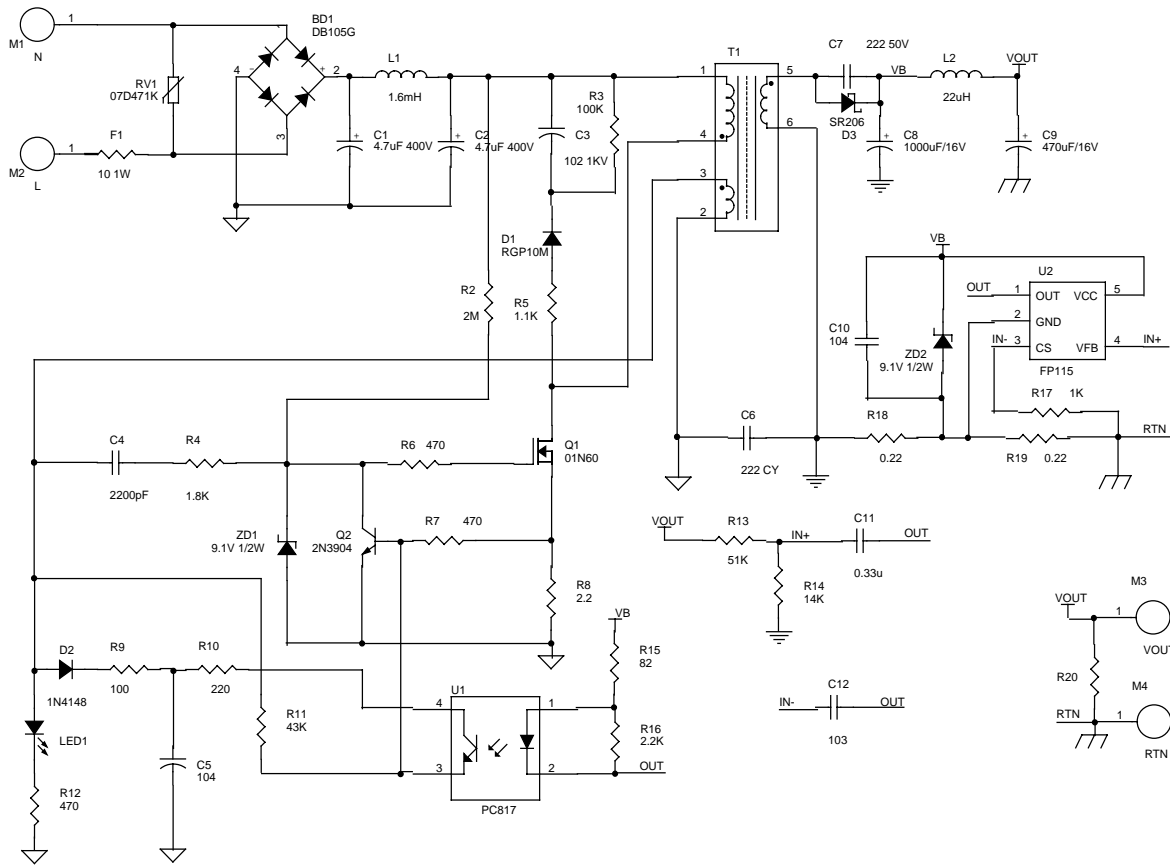


SOT-25

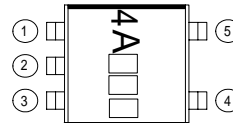
PIN DESCRIPTION

NAME	NO.	DESCRIPTION
OUT	1	Open Emitter Transistor Wired-AND Output
GND	2	IC Ground
CS	3	Current Sense Amplifier Input
FB	4	Voltage Feedback Amplifier Input
VCC	5	IC Power Supply

APPLICATION INFORMATION



TOP VIEW



FP701

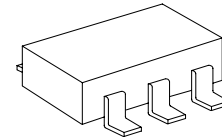
FEATURES

- Fixed Reference Voltage 1.25V (1%)
- Output sink current up to 20mA
- Low quiescent supply current
- Wide operating voltage range: 2.5~28V
- Low offset voltage: 1mV
- Package: SOT-25

TYPICAL APPLICATION

- Battery Charger
- AC Adaptor
- SPS

Package

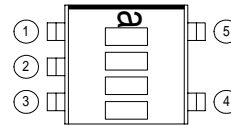


SOT-25

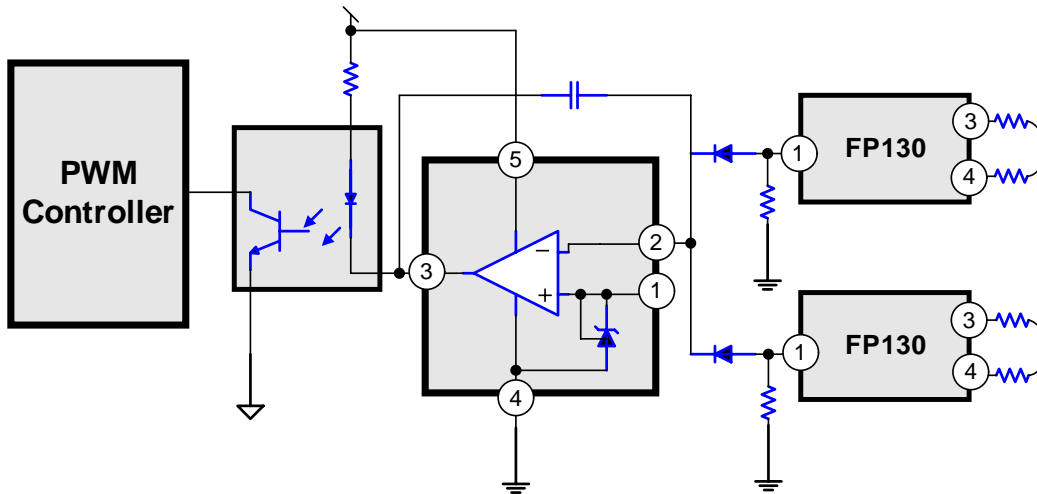
PIN DESCRIPTION

NAME	NO.	DESCRIPTION
REF	1	1.25V Reference
IN-	2	Comparator Inverting Input
OUT	3	Comparator Output
GND	4	IC Ground
VCC	5	IC Power Supply

TOP VIEW



APPLICATION INFORMATION



FP702

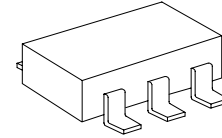
FEATURES

- Fixed Reference Voltage 1.25V (1%)
- Output sink current up to 20mA
- Low quiescent supply current
- Wide operating voltage range: 2.5~28V
- Low offset voltage: 1mV
- Package: SOT-25

TYPICAL APPLICATION

- Battery Charger
- AC Adaptor
- Power Board

Package

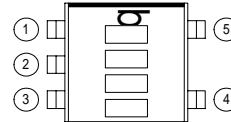


SOT-25

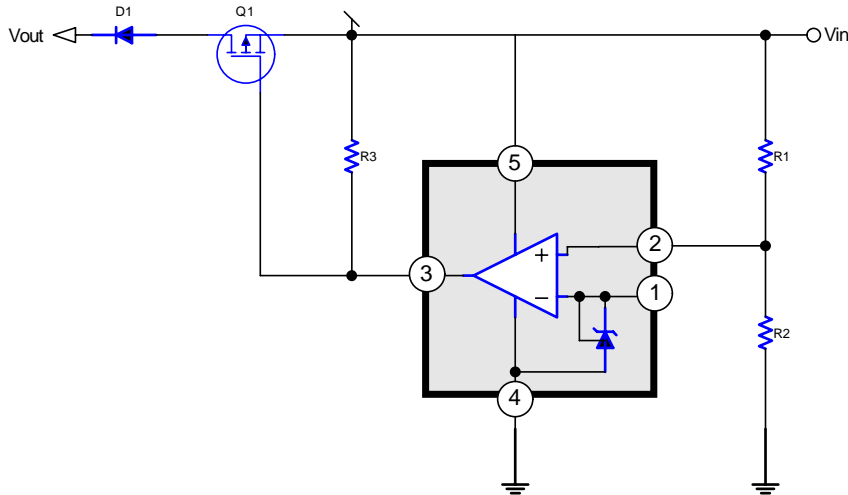
PIN DESCRIPTION

NAME	NO.	DESCRIPTION
REF	1	1.25V Reference
IN+	2	Comparator Non-Inverting Input
OUT	3	Comparator Output
GND	4	IC Ground
VCC	5	IC Power Supply

TOP VIEW



APPLICATION INFORMATION

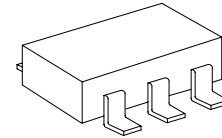


FP703

- **FEATURES**
- Output sink current up to 20mA
- Low quiescent supply current
- Wide operating voltage range: 2.5~28V
- Low offset voltage: 1mV
- Package: SOT-25

- **TYPICAL APPLICATION**
- Battery Charger
- AC Adaptor

- **Package**

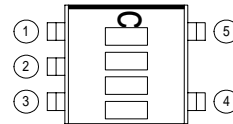


SOT-25

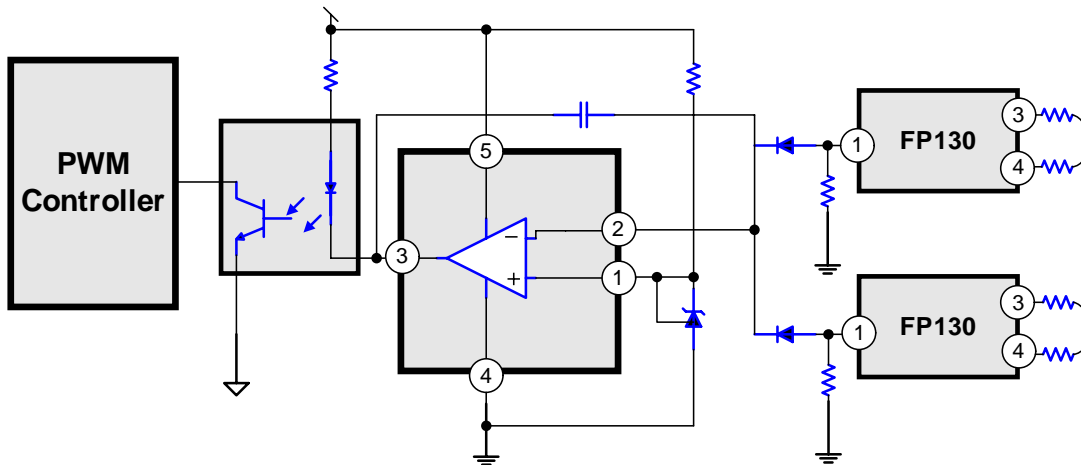
PIN DESCRIPTION

NAME	NO.	DESCRIPTION
IN+	1	OPA Non-inverting Input
IN-	2	OPA Inverting Input
OUT	3	OPA Open Collector Output
GND	4	IC Ground
VCC	5	IC Power Supply

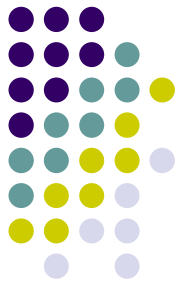
TOP VIEW



APPLICATION INFORMATION



FP130/A



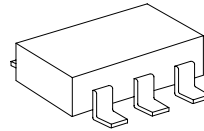
FEATURES

- Power supply independent shunt voltage
- Wide operating voltage range: 2.7~28V
- Wide common-mode voltage range: 2.7~28V
- Low quiescent supply current: 30uA
- Low offset voltage: 2mV
- Linearity output
- External resistance for amplify gain
- Package: SOP8 / SOT-25

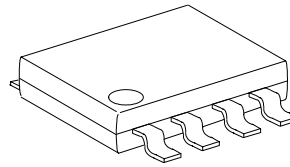
TYPICAL APPLICATION

- Battery Charger
- AC Adaptor
- SPS
- Measurement instrument

Package



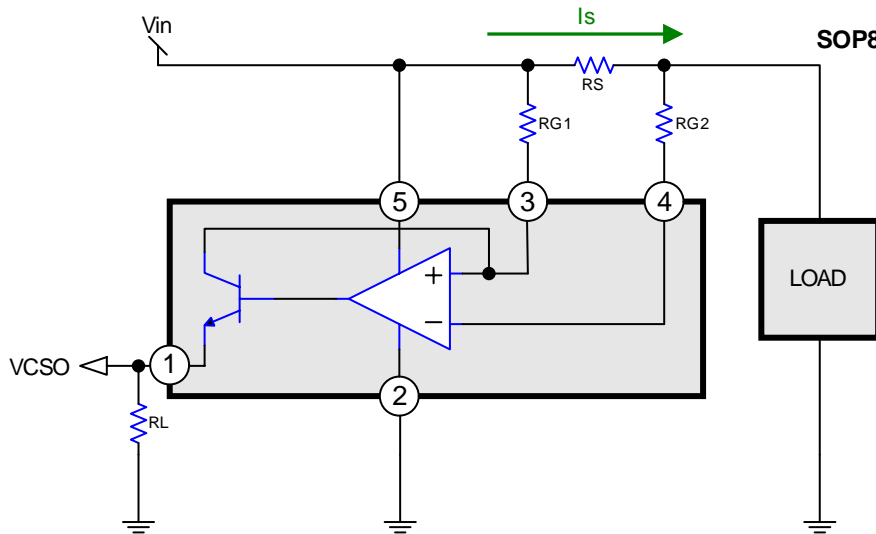
SOT-25



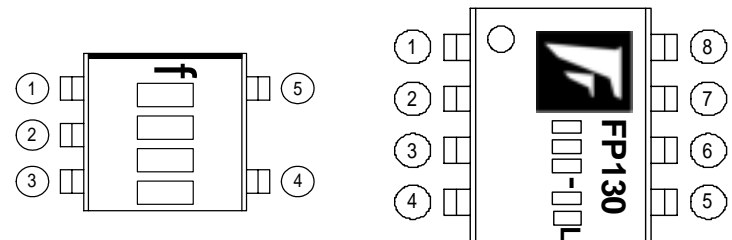
PIN DESCRIPTION

NAME	NO.		DESCRIPTION
	SOT-25	SOP8	
OUT	1	4	Linearity Output
GND	2	3	IC Ground
VIP	3	2	Internal Current Shunt OPA Positive Input
VIN	4	1	Internal Current Shunt OPA Negative Input
VCC	5	8	IC Power Supply

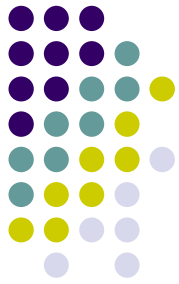
APPLICATION INFORMATION



TOP VIEW



FP120

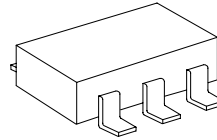


FEATURES

- Power supply independent shunt voltage
- Wide operating voltage range: 2.7~16V
- Wide common-mode voltage range: 2.7~16V
- Low quiescent supply current: 30uA
- Low offset voltage: 2mV
- Linearity output
- External resistance for amplify gain
- Package: SOT-25

TYPICAL APPLICATION

- Battery Charger
- AC Adaptor
- SPS
- Measurement instrument
- Package

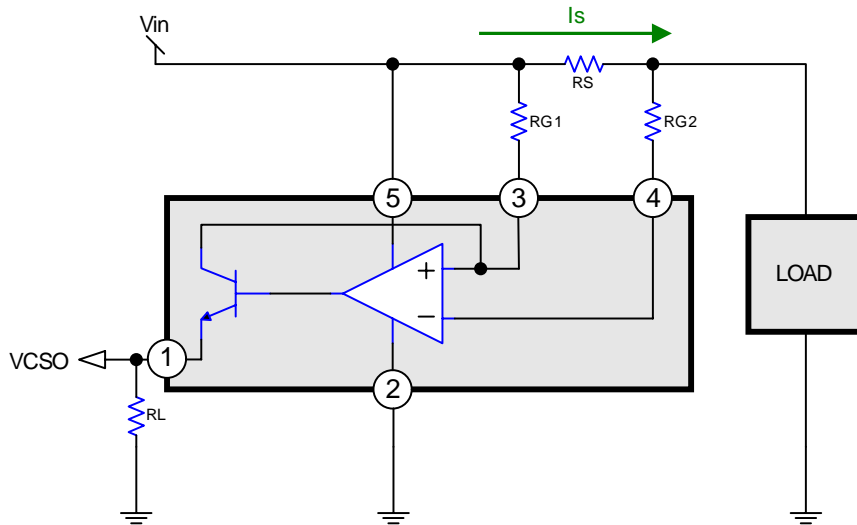


SOT-25

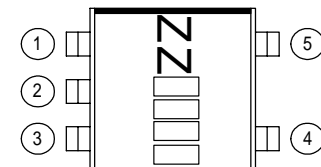
PIN DESCRIPTION

NAME	NO.	DESCRIPTION
OUT	1	Linearity Output
GND	2	IC Ground
VIP	3	Internal Current Shunt OPA Positive Input
VIN	4	Internal Current Shunt OPA Negative Input
VCC	5	IC Power Supply

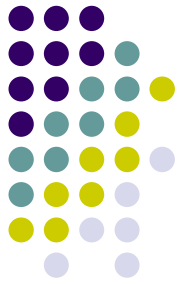
APPLICATION INFORMATION



TOP VIEW



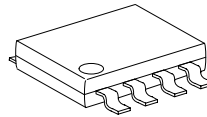
FP131



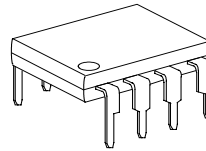
- **FEATURES**
- Power supply independent shunt voltage
- Wide operating voltage range: 2.7~28V
- Wide common-mode voltage range: 2.7~28V
- Low input offset voltage: 2mV
- Linearity output
- Fixed Reference Voltage 1.25V (2%) with Comparator
- 10mA sink current for Photo-coupler driver
- Package: PDIP8/ SOP8

- **TYPICAL APPLICATION**
- AC Adaptor
- SPS
- AC Battery Charger

- **Package**

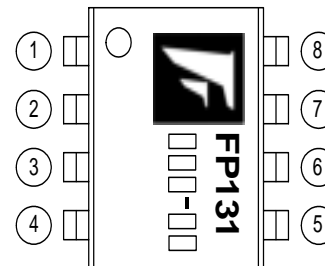


SOP8

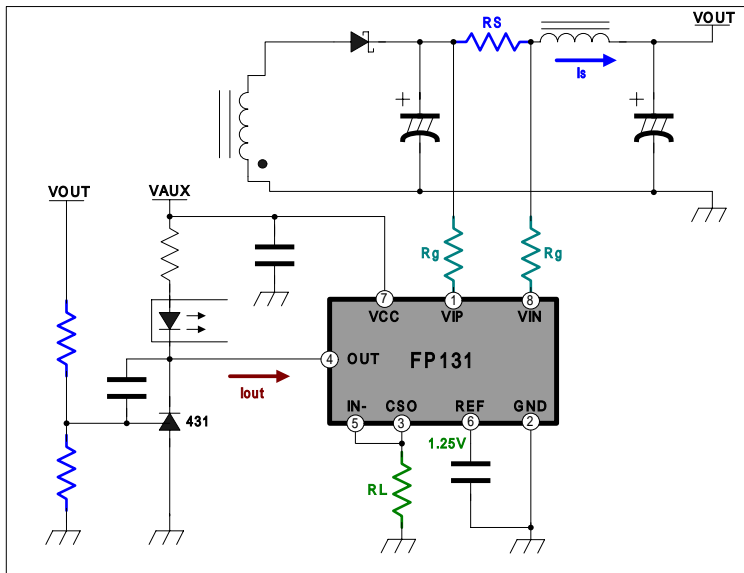


DIP8

TOP VIEW



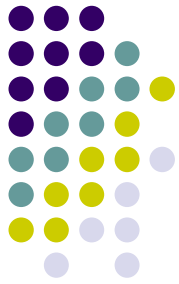
APPLICATION INFORMATION



PIN DESCRIPTION

NAME	NO.	DESCRIPTION
VIP	1	Internal Current Shunt OPA Positive Input
GND	2	IC Ground
CSO	3	Linearity Output
OUT	4	Comparator Output
IN-	5	Comparator Inverting Input
VREF	6	Comparator Non-inverting Input 1.25V Reference
VCC	7	IC Positive Power Supply
VIN	8	Internal Current Shunt OPA Negative Input

FP132



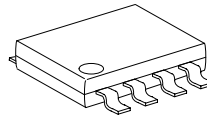
FEATURES

- Power supply independent shunt voltage
- Wide operating voltage range: 2.7~28V
- Wide common-mode voltage range: 2.7~28V
- Low input offset voltage: 2mV
- Linearity output
- Built-in FP431 (2.5V) Regulator
- Package: PDIP8/ SOP8

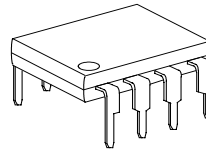
TYPICAL APPLICATION

- AC Adaptor
- SPS
- AC Battery Charger

Package

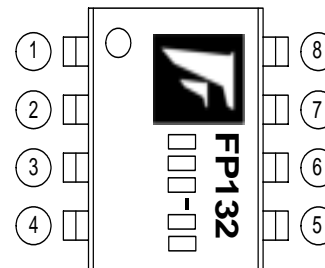


SOP8

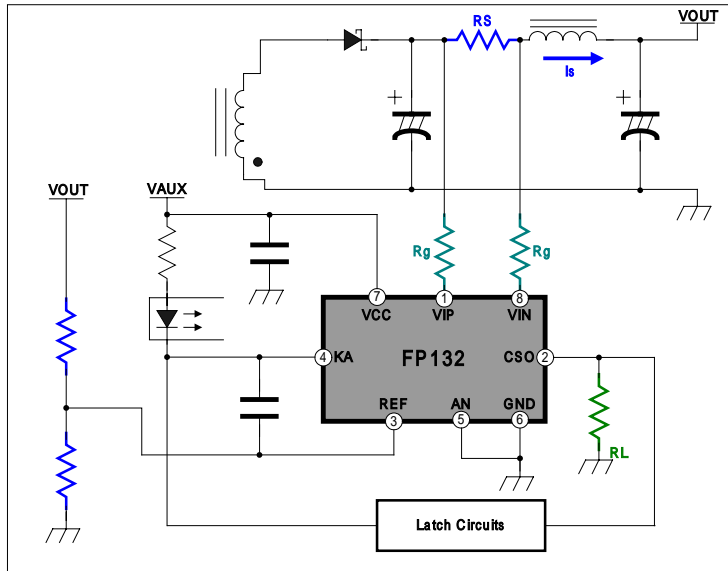


DIP8

TOP VIEW



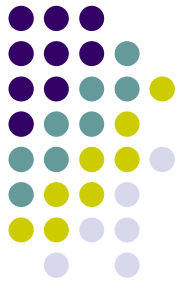
APPLICATION INFORMATION



PIN DESCRIPTION

NAME	NO.	DESCRIPTION
VIP	1	Internal Current Shunt OPA Positive Input
CSO	2	Linearity Output
REF	3	FP431 2.5V Reference
KA	4	FP431 Cathode
AN	5	FP431 Anode
GND	6	IC Ground
VCC	7	IC Positive Power Supply
VIN	8	Internal Current Shunt OPA Negative Input

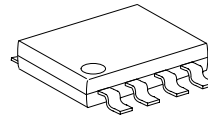
FP133



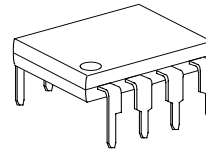
- **FEATURES**
- Power supply independent shunt voltage
- Wide operating voltage range: 2.7~28V
- Wide common-mode voltage range: 2.7~28V
- Low input offset voltage: 2mV
- Linearity output
- Fixed Reference Voltage 1.25V (2%) with Comparator
- Built-in FP431 (2.5V) Regulator
- Package: PDIP8/ SOP8

- **TYPICAL APPLICATION**
- AC Adaptor
- SPS
- AC Battery Charger

- **Package**

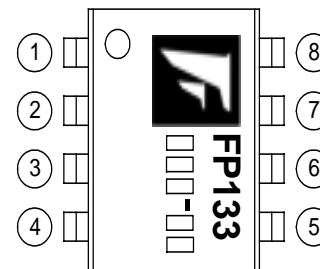


SOP8

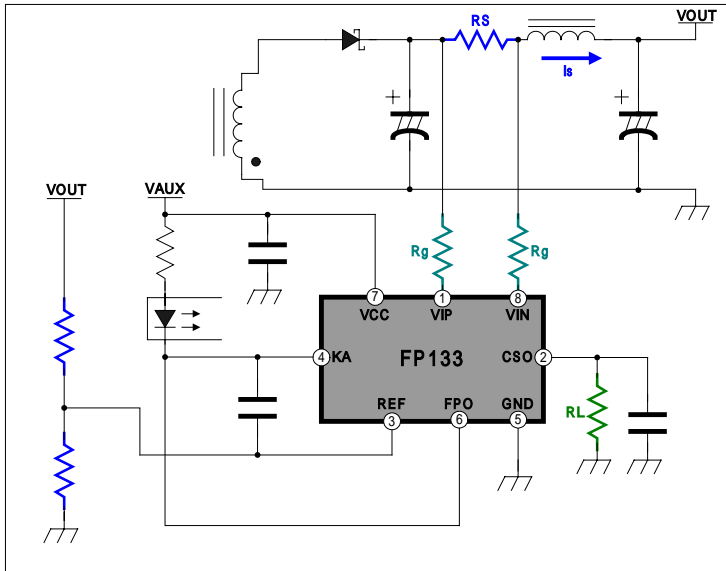


DIP8

TOP VIEW



APPLICATION INFORMATION



PIN DESCRIPTION

NAME	NO.	DESCRIPTION
VIP	1	Internal Current Shunt OPA Positive Input
CSO	2	Linearity Output
REF	3	FP431 2.5V Reference
KA	4	FP431 Cathode
GND	5	IC Ground
FPO	6	Comparator Output
VCC	7	IC Positive Power Supply
VIN	8	Internal Current Shunt OPA Negative Input

FP3510 NEW!



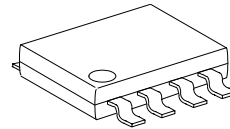
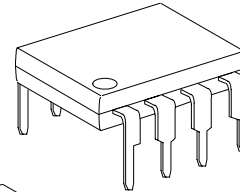
FEATURES

- OV Detection Lockout for 3.3V/5V/12V
- UV Detection Lockout for 3.3V/5V
- 75ms delay for 3.3V/5V Power-on Short Circuit
- 300ms delay time for Power Good Output
- PSON ON/OFF de-bounce
- Open Drain Fault Protection Output (FPO)
- Package: PDIP8/SOP8

TYPICAL APPLICATION

- LCD TV Power Board
- PC ATX SPS
- AC Adaptor

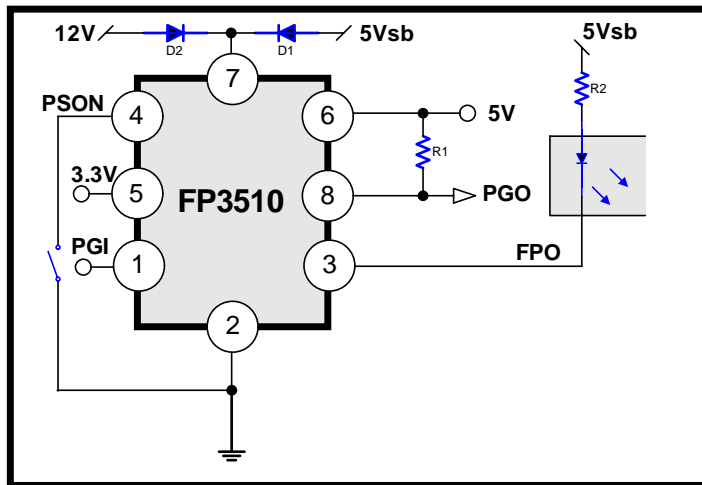
Package



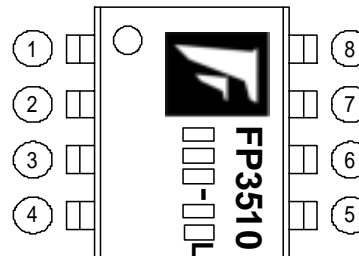
PDIP8

SOP8

APPLICATION INFORMATION



TOP VIEW

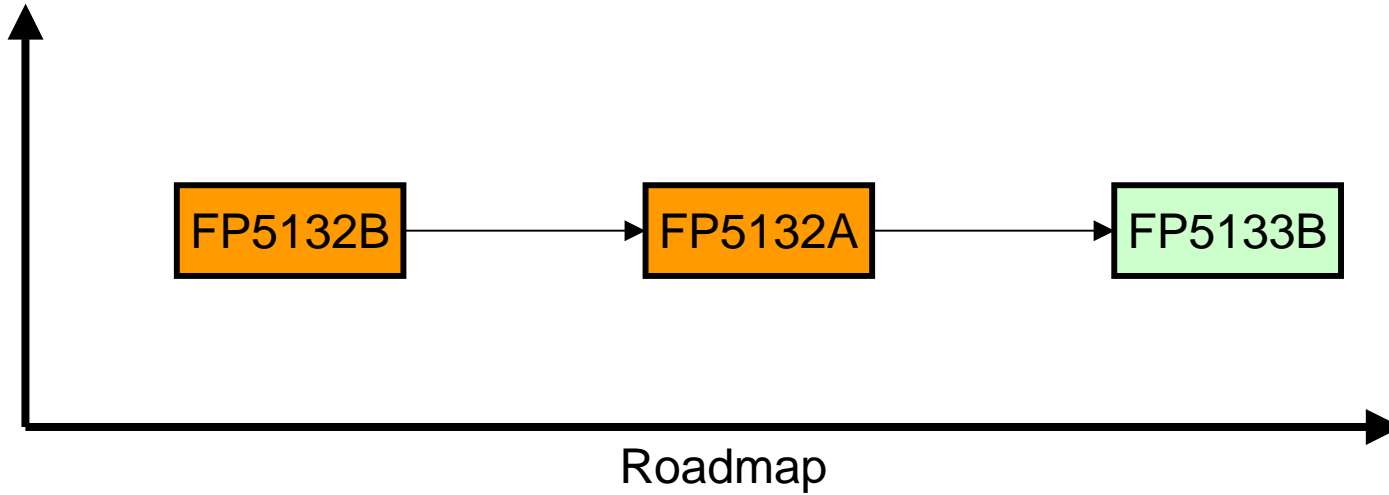


PIN DESCRIPTION

NAME	NO.	DESCRIPTION
PGI	1	Power Good Input
GND	2	IC Ground
FPO	3	Fault Protection Output
PSON	4	ON/OFF Control
VS33	5	3.3V OV/UV Detection Input
VS5	6	5V OV/UV Detection Input
VCC	7	IC Power Supply 12V OV Detection Input
PGO	8	Power Good Output



DC-AC PWM Converter IC



Part No.	FUNCTIONS					Op. Voltage	PACKAGE	EV. BOARD
	OSC	DIMMING	DUTY%	O/P	SHUT-DOWN			
FP5132B	Adj	Neg	100~0	OC	V	6.5~28	PDIP8 SOP8	V
FP5132A	Adj	Pos	0~100	OC	V		PDIP8 SOP8	V
FP5133B	Adj	Neg	100~0	OC	X	6.5~28	PDIP8 SOP8	X

FP5132A/B

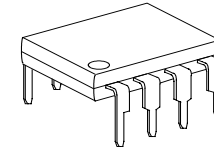
FEATURES

- Precision Reference Voltage 5.0V (1%)
- Wide supply voltage operating range: 6.5 to 30V
- Dimming input control
- Low oscillator frequency: 50Hz~2KHz
- Shutdown detection input
- Open collector output
- Sink current up to 10mA
- Package: PDIP8/ SOP8

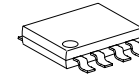
TYPICAL APPLICATION

- Backlight CCFL Inverter
- Voltage Control PWM generator

Package



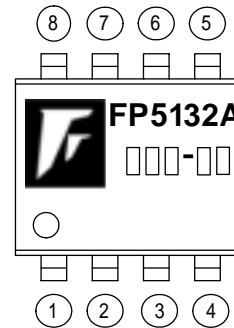
DIP8



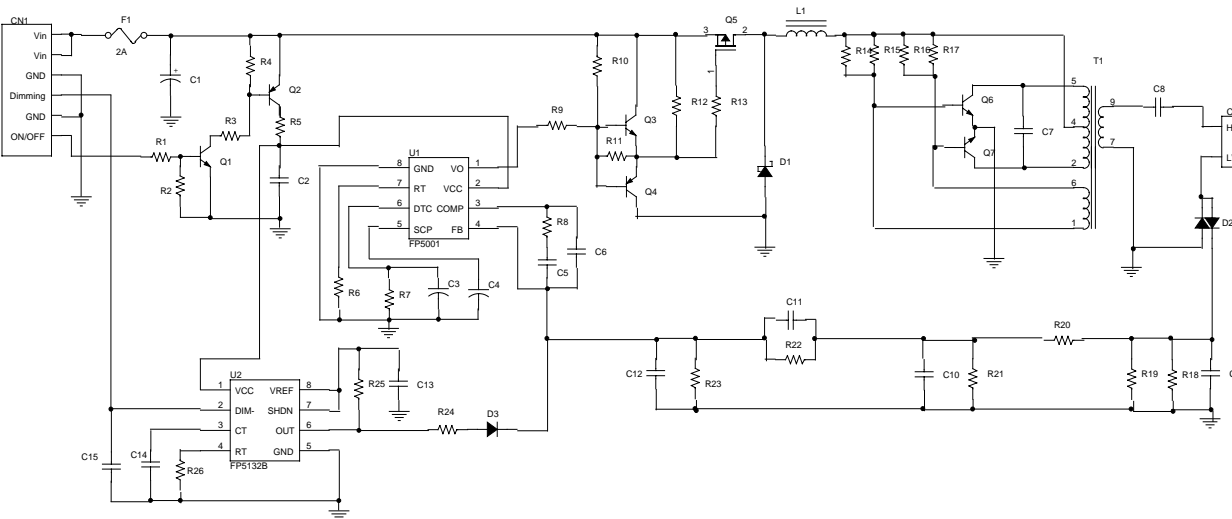
SOP8



TOP VIEW



APPLICATION INFORMATION



PIN DESCRIPTION

NAME	NO.	DESCRIPTION
VCC	1	IC Power Supply
DIM	2	Dimming Signal Input
CT	3	Capacitor for Oscillator
RT	4	Resistor for Oscillator
GND	5	IC Ground
OUT	6	Open Collector Output
SHDN	7	Shutdown Detection Input
VREF	8	5.0V Reference Voltage Output

FP5133A/B

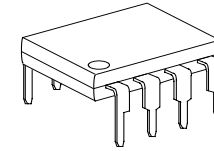
FEATURES

- Precision Reference Voltage 5.0V (1%)
- Wide supply voltage operating range: 6.5 to 30V
- Dimming input control
- Low oscillator frequency: 50Hz~2KHz
- Phase 180° dual open collector output
- Sink current up to 10mA
- Package: PDIP8/ SOP8

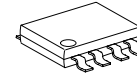
TYPICAL APPLICATION

- Backlight CCFL Inverter
- Voltage Control PWM generator

Package



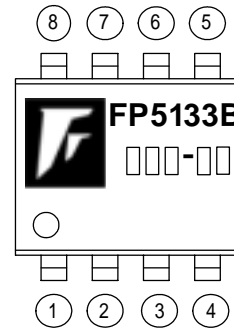
DIP8



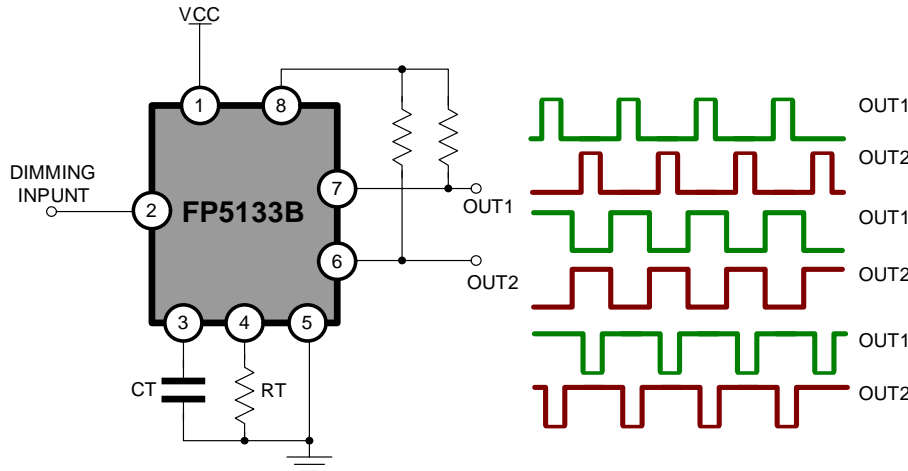
SOP8



TOP VIEW



APPLICATION INFORMATION



PIN DESCRIPTION

NAME	NO.	DESCRIPTION
VCC	1	IC Power Supply
DIM	2	Dimming Signal Input
CT	3	Capacitor for Oscillator
RT	4	Resistor for Oscillator
GND	5	IC Ground
OUT2	6	Open Collector Output Phase Shift 180°
OUT1	7	Open Collector Output
VREF	8	5.0V Reference Voltage Output



DC-DC Power IC Status

1-CH DC/DC Converter IC Series

Part No.	Data Sheet	Application NOTE	Production	RoHS	EV. Board
FP5001	V05	AN02	M.P.	Ready	1-CH Buck DC/DC
FP5001A	V01	AN02	M.P.	Ready	1-CH Buck DC/DC
FP5137	V02	AN16	M.P.	Ready	1-CH SYNC. DC/DC
FP5137B	V02	AN19	M.P.	Ready	1-CH SYNC. DC/DC
FP5137A	V01	AN19	M.P.	Ready	1-CH SYNC. DC/DC
FP5138	V05	AN07	M.P.	Ready	1-CH Boost DC/DC
FP5139	V02	AN07	M.P.	Ready	1-CH Boost DC/DC
FP5108	V02	AN18	M.P.	Ready	1-CH Buck DC/DC
FP5003	V05	AN20	M.P.	Ready	1-CH Buck DC/DC



DC-DC Power IC Status

1-CH DC/DC Regulator IC Series

Part No.	Data Sheet	Application NOTE	Production	RoHS	EV. Board
FP6101	V01	AN24	M.P.	Ready	1-CH Buck DC/DC
FP6201	V01	AN28	-	-	1-CH Boost DC/DC
FP6160	V01	AN32	-	-	1-CH Buck DC/DC
FP6290	V01	AN34	-	-	1-CH Boost DC/DC
FP6291	V01	AN35	-	-	1-CH Boost DC/DC
FP6180	V01	AN33	-	-	1-CH Buck DC/DC
FP34063 FP33063	V03	AN26	E.S.	Ready	1-CH Buck DC/DC 1-CH Boost DC/DC 1-CH Buck-Boost DC/DC



DC-DC Power IC Status

2-CH/4-CH DC/DC Converter IC Series

Part No.	Data Sheet	Application NOTE	Production	RoHS	EV. Board
FP1451	V05	AN01	M.P.	Ready	2-CH Buck DC/DC
FP5451A	V03	AN04	M.P.	Ready	2-CH Buck DC/DC
FP5451B	V03	AN16	M.P.	Ready	2-CH Buck DC/DC
FP5452	V04	AN05	M.P.	Ready	2-CH Buck DC/DC
FP5462	V02	AN10	M.P.	Ready	1-CH Buck DC/DC 1-CH Boost DC/DC
FP5472	V01	AN11	M.P.	Ready	2-CH Boost DC/DC
FP5454	V01	AN14	M.P.	Ready	4-CH Buck DC/DC
FP5453	V02	AN21	M.P.	Ready	2-CH Buck DC/DC
FP5352	V01	AN22	E.S.	Ready	2-CH Buck DC/DC
FP5148	V02	AN23	E.S.	Ready	2-CH SYNC. DC/DC



AC-DC Power IC Status

AC/DC PWM IC Series

Part No.	Data Sheet	Application NOTE	Production	RoHS	EV. Board
FP3842	V02	AN27	M.P.	Ready	PoE Board
FP3843	V01	AN28	M.P.	Ready	5W AC-DC Board
FP3844	V01	-	-		-
FP3845	V01	-	-		-
FP38G43	V01	AN25	M.P.	Ready	36W Green Power Board



AC-DC Power IC Status

CV/CC/OLP IC Series

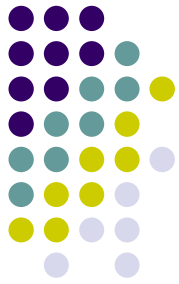
Part No.	Data Sheet	Application NOTE	Production	RoHS	EV. Board
FP103	V04	AN08	M.P.	Ready	-
FP115	V02	AN09	M.P.	Ready	5W AC/DC Power
FP130	V02	AN15	M.P.	Ready	Demo Kit
FP130A	V01	AN15	M.P.	Ready	Demo Kit
FP120	V01	AN15	M.P.	Ready	Demo Kit
FP131	V03	AN15	M.P.	Ready	Demo Kit
FP132	V01	-	E.S.	Ready	-
FP133	V02	AN25	M.P.	Ready	36W Green Power
FP701	V03	AN15	E.S.	Ready	Demo Kit
FP702	V03	AN29	E.S.	Ready	Demo Kit (OVP)
FP703	V03	-	E.S.	Ready	-
FP3510	V01	AN30	E.S.	Ready	-



DC-AC Power IC Status

Burst Mode Dimming IC Series

Part No.	Data Sheet	Application NOTE	Production	RoHS	EV. Board
FP5132A	V02	AN31	M.P.	Ready	FP5001 Inverter
FP5132B	V02	AN31	M.P.	Ready	FP5001 Inverter
FP5133B	V01	-	E.S.	-	-



~ THANK YOU ~