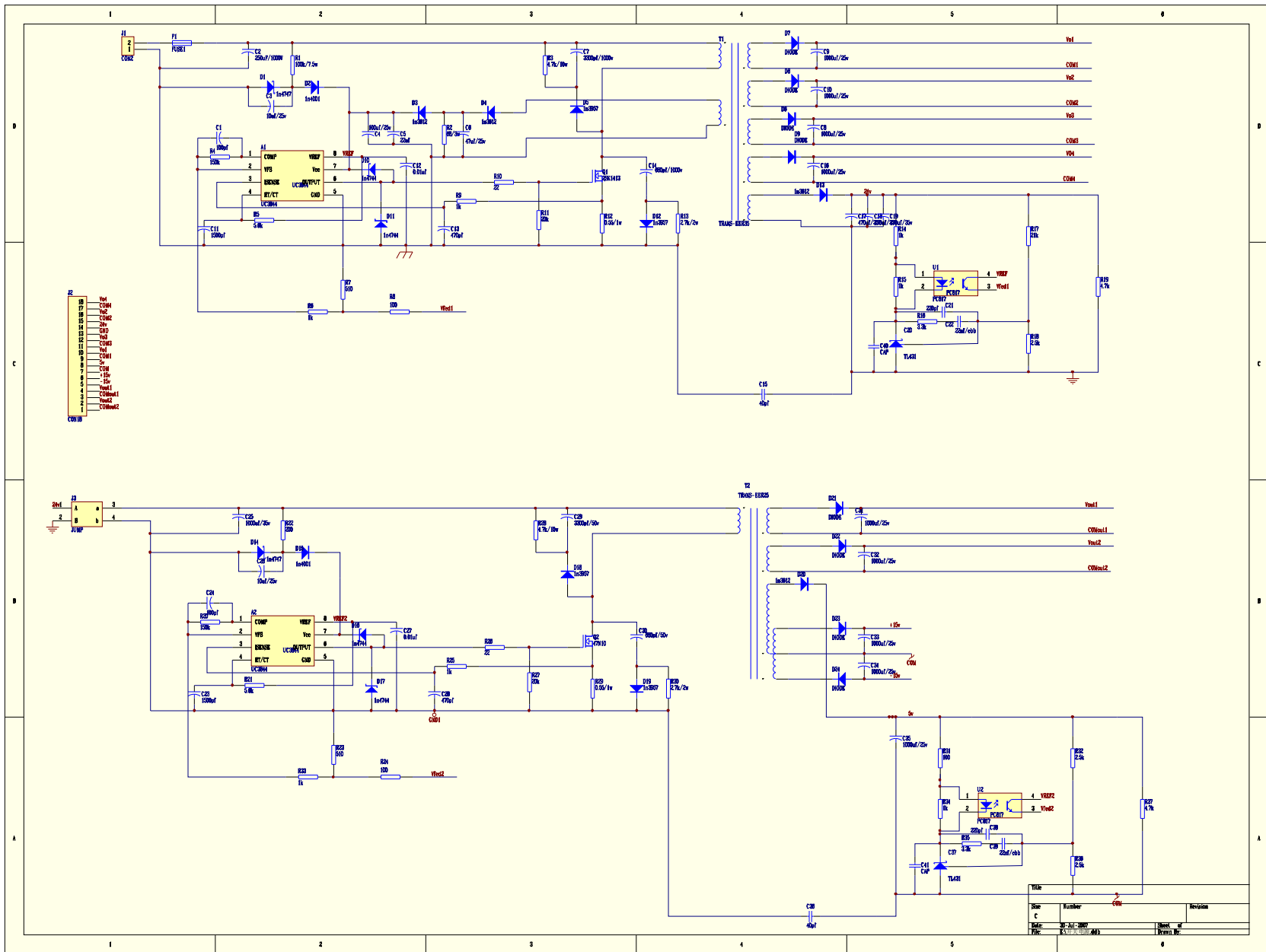


REV	Number	Revision
C	1	
DATE	2017-01-20	Sheet 1 of 1
FILE	K:\ELECTRONICS\PROJECTS\POWER SUPPLY\PCB\PCB.CAD	



Pin list for component J1:

1	Vcc1
2	COM1
3	Vcc2
4	COM2
5	Vcc3
6	COM3
7	Vcc4
8	COM4
9	Vcc5
10	COM5

Rev	Number	Revision
Rev C	01	
Date:	20-01-2007	Sheet of
File:	K:\1\2\2007\01	Drawn By: