

Main applications :
Resonant circuits for induction heating



GENERAL CHARACTERISTICS

- Withstand heavy current
- Low losses
- High contact reliability
- Self-Healing

GENERAL TECHNICAL CHARACTERISTICS

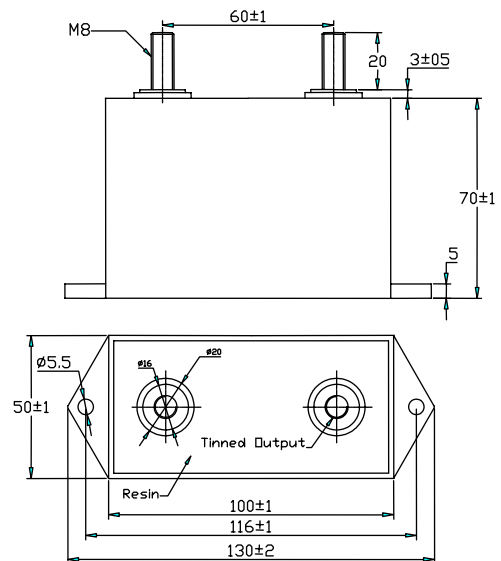
- Reference standards : IEC 61071 60068 60384
- Dielectric : Polypropylene film
- Construction : Dry construction, filled by solid resin, Non-inductive type
- Case : Self extinguishing plastic case UL94V0

ELECTRICAL CHARACTERISTICS

- Working temperature : -25 to + 85 °C
- Capacitance : 0.1 to 6µF
- Irms (Max.) : 150 A
- Tolerance : ± 5%, ± 10%

TEST METHODS AND PERFORMANCES

- Test voltage between terminals : 2.0xUn for 60s at 25 °C
- Test voltage terminal to case : 3 KV 50Hz for 2sec



Electrical specifications, ordering codes

Part Number	Capacitance (µF)	Dimention (mm)			Irms max. (A)	Du/dt (v/µs)	Ipeak (A)	ESR (mΩ)
		L	B	H				
Urms 500Vac								
SCH-500-2.5	2.5	100	50	70	150	770	1925	2.0
SCH-500-4.0	4.0	100	50	70	150	640	2560	2.4
SCH-500-6.0	6.0	100	50	70	150	430	2580	2.2
Urms 750Vac								
SCH-750-2.0	2.0	100	50	70	150	1020	2040	2.0
SCH-750-3.0	3.0	100	50	70	150	840	2520	2.6
Urms 1000Vac								
SCH-1000-0.66	0.66	100	50	70	100	1440	950	1.6
SCH-1000-1.00	1.0	100	50	70	100	1100	1100	1.5
SCH-1000-1.50	1.5	100	50	70	100	730	1095	1.4
Urms 1500Vac								
SCH-1500-0.33	0.33	100	50	70	100	1340	442	1.5
SCH-1500-0.68	0.68	100	50	70	100	1440	979	1.5
Urms 2000Vac								
SCH-2000-0.22	0.22	100	50	70	80	2460	541	1.8
SCH-2000-0.33	0.33	100	50	70	80	1760	581	1.7
Urms 2500Vac								
SCH-2500-0.24	0.24	100	50	70	60	1550	372	1.5
Urms 3000Vac								
SCH-3000-0.10	0.10	100	50	70	60	3420	342	1.5
SCH-3000-0.12	0.12	100	50	70	60	2850	342	1.6
SCH-3000-0.18	0.18	100	50	70	60	2040	367	1.7