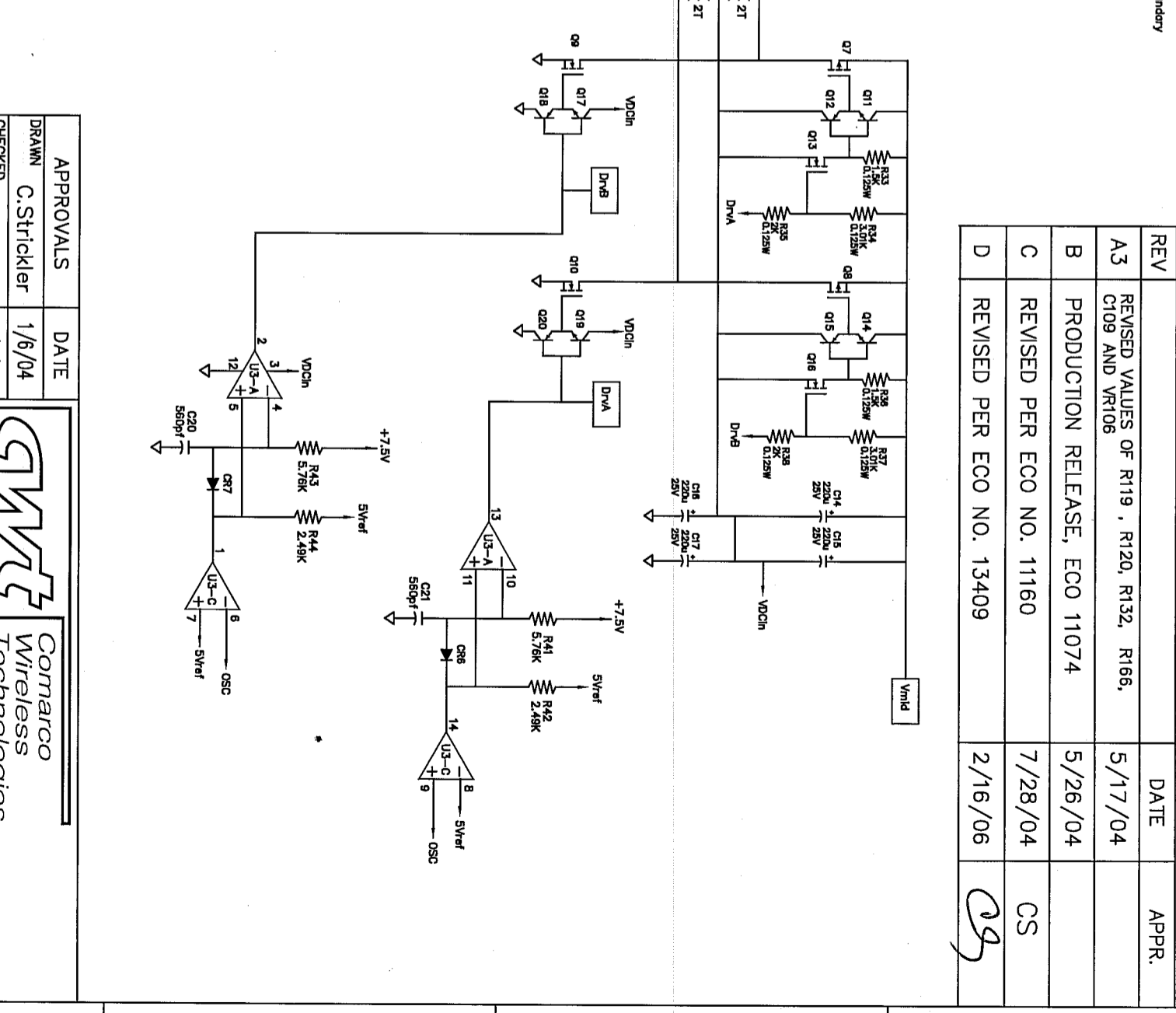
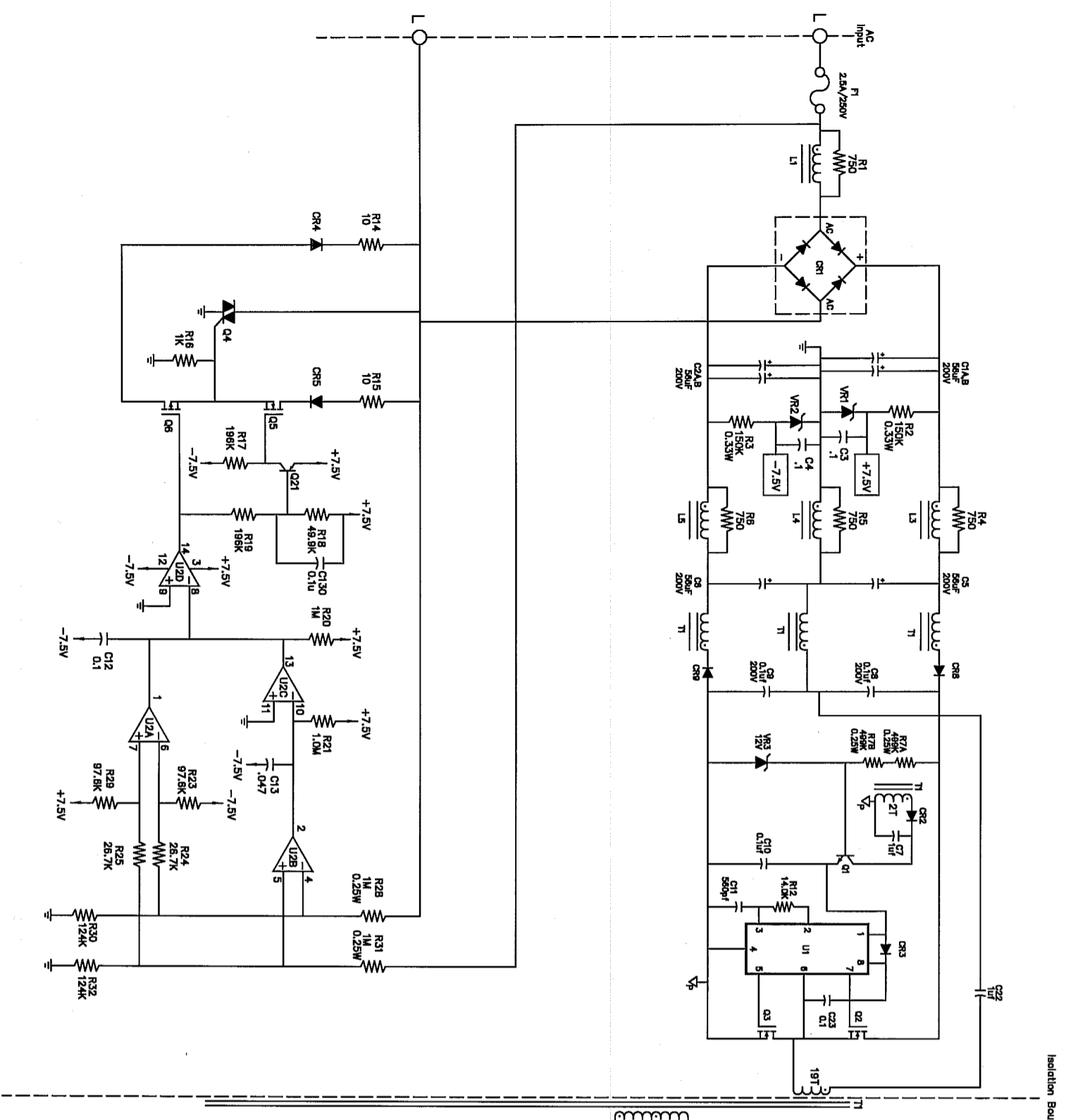


NOTES:

DRAWING NO. 4010-0657

REVISIONS

REV	DATE	APPR.
A3	5/17/04	
B	5/26/04	
C	7/28/04	CS
D	2/16/06	CS



PROPRIETARY NOTICE
 THE INFORMATION CONTAINED IN THIS DOCUMENT IS THE PROPERTY OF COMARCO WIRELESS TECHNOLOGIES INCORPORATED AND SHALL NOT BE USED OR DISSEMINATED IN WHOLE OR IN PART WITHOUT THE EXPRESS CONSENT OF:
 COMARCO WIRELESS TECHNOLOGIES INC. 2 CROMWELL, IRVINE, CA. 92618

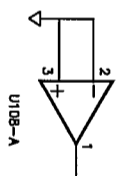
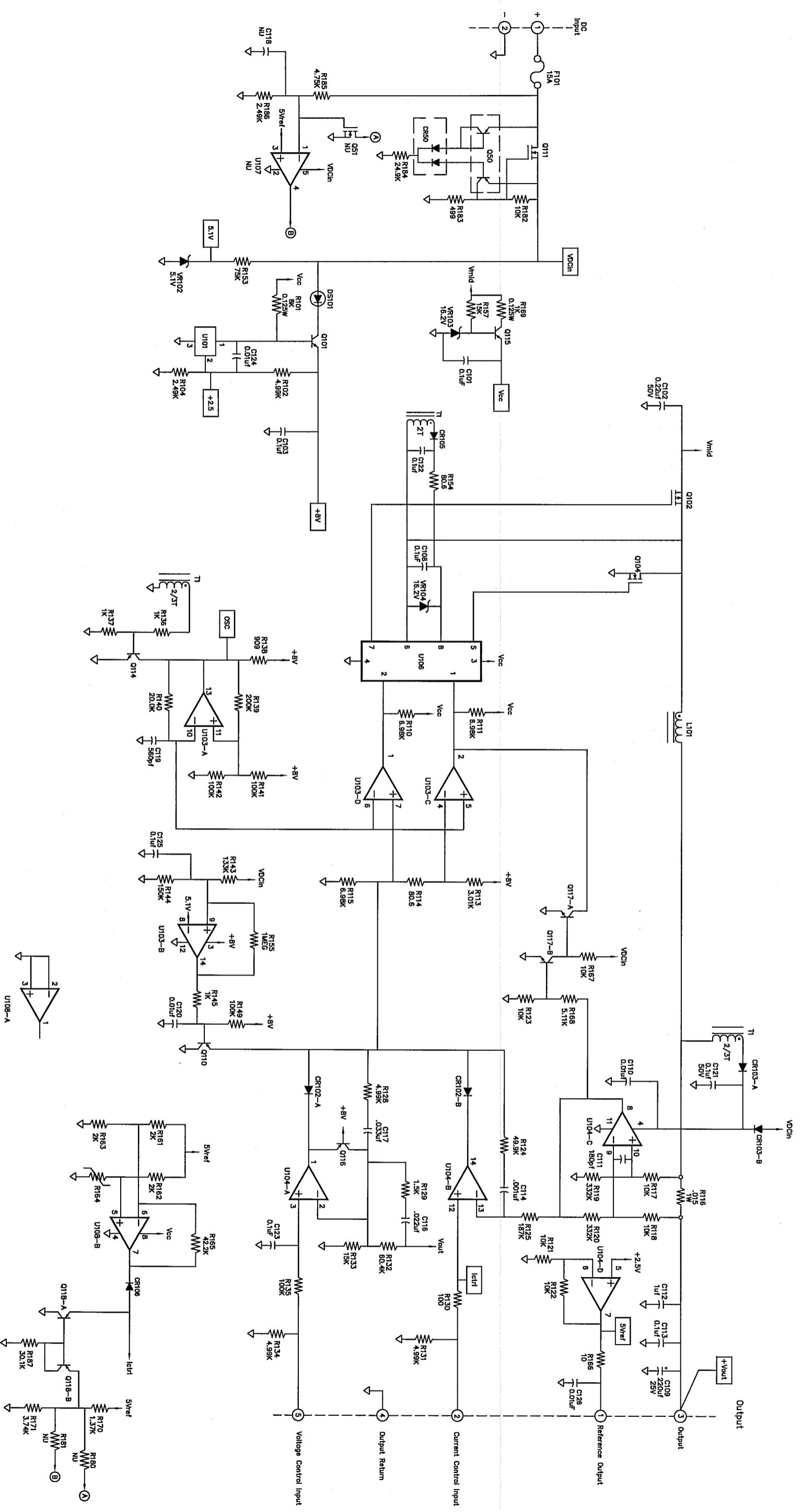
APPROVALS	DATE
DRAWN C.Strickler	1/6/04
CHECKED L. OLIVAS	6/2/04
ENGINEERING C.Strickler	6/2/04
MANUFACTURING B.PRABHAKER	6/2/04



TITLE
 SCHEMATIC, AC/DC ADAPTER 120W

SIZE B	DRAWING NO. 4010-0657	REV. D
SCALE: NONE	DO NOT SCALE DWG.	SHEET 1 OF 2

REV	DATE	APPR
1	SEE SHEET 1	



SIZE	DRAWING NO.	REV.
D	4010-0657	D
SCALE:	1/1	DO NOT SCALE DWG.
	SHEET 2 OF 2	

A B C D