



WTE
POWER SEMICONDUCTOR

SB520 - SB5100



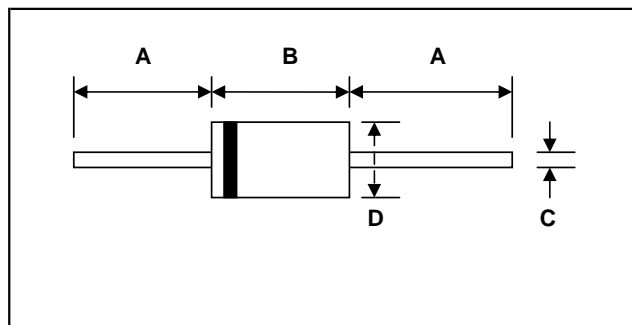
5.0A Schottky Barrier Diode

FEATURE

- ◆ Schottky Barrier Chip
- ◆ Guard Ring Die Construction for Transistor Protection.
- ◆ High Current Capability
- ◆ Low Power Loss. High Efficiency
- ◆ High Surge Current Capability
- ◆ For Use in Low Voltage, High Frequency Inverters, Free Wheeling, and Polarity Protection Applications.

MECHANICAL DATA

- ◆ Case: DO-201AD, Molded Plastic.
- ◆ Terminals: Solder Plated, Solderable per MIL-STD-202, Method 208
- ◆ Polarity: Cathode Band.
- ◆ Marking: Type Number
- ◆ Weight: 1.2 grams (approx.)
- ◆ Mounting Position: Any
- ◆ Lead Free: For RoHS / Lead free Version, Add "LF" suffix to part Number, See page 3.



DO-201AD		
Dim.	Min.	Max.
A	25.40	—
B	7.20	9.50
C	1.20	1.300
D	4.80	5.30
All Dimensions in mm		

MAXIMUM RATINGS AND ELECTRICAL CHARACTERISTICS @TA = 25°C unless otherwise specified

Single Phase, half wave, 60Hz, resistive or inductive load.
For capacitive load, derate current bt 20%.

Characteristic	Symbol	SB520	SB530	SB540	SB550	SB560	SB580	SB5100	Unit
Peak Repetitive Reverse Voltage	VRRM								
Working Peak Reverse Voltage	VRWM	20	30	40	50	60	80	100	V
DC Blocking Voltage	VR								
RMS Reverse Voltage	VR(RMS)	14	21	28	35	42	56	70	V
Average Rectified Output Current @TL=100°C (Note 1)	IO	5.0							A
Non-Repetitive Peak Forward Surtge Current									
8.3ms Single half sine-wave superimposed on rated load (JEDEC Method)	IFSM	150							A
Forward Voltage @IF=5.0A	VFM	0.55		0.70		0.85			V
Peak Reverse Current @TA=25°C					0.5				
At Rated DC Blocking Voltage @TA=100°C	IRM				50				mA
Typical Junction Capacitance (Note 2)	Cj	500			400				pF
Typical Thermal Resistance (Note 1)	RθJA	10							°C/W
Operating and Storage Temperature Range	TJ, TSTG	-65 to +150							°C

- Note:** 1). Valid provided that leads are kept at ambient temperature at a distance of 9.5mm from the case.
2). Measured at 1.0 MHz and applied reverse voltage of 4.0V D.C.



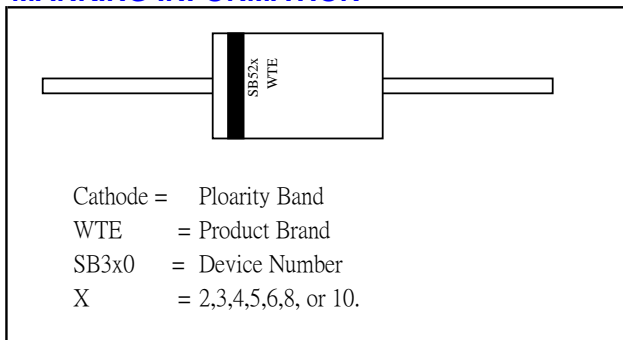
WTE
POWER SEMICONDUCTOR

SB520 - SB5100

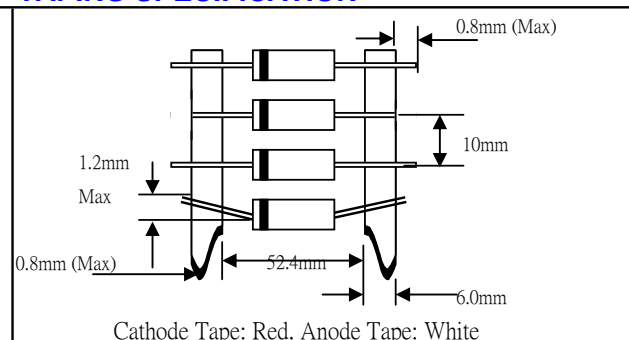


5.0A Schottky Barrier Diode

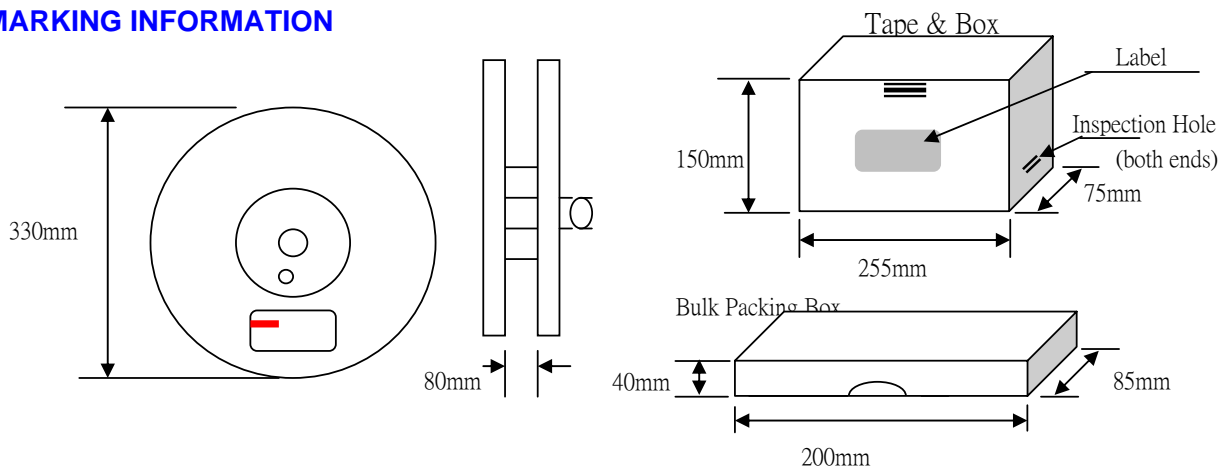
MARKING INFORMATION



TAPING SPECIFICATION



MARKING INFORMATION



Packaging (mm)	Quantity (PCS)	Reel Daimeter Box Size (mm)	Carton Size LxWxH (mm)	Quantity (PCS)	Approx Gross Weight (KG)
Tape & Reel	1200	330	370x370x420	6000	10.0
Tape & Box	1200	255x75x150	400x273x415	12000	17.0
Bulk Box	500	200x85x40	459x214x256	12500	16.0

- Note: 1). Paper reel, white or gray color. Core material: plastic or metal.
2). Components are packed in accprdance with EIA standard RS-296-E

ORDERING INFORMATION

Product No.	Package Type	Shipping Quantity	Product No.	Package Type	Shipping Quantity
SB520-T3	DO-201AD	1200/Tape & Reel	SB560-T3	DO-201AD	1200/Tape & Reel
SB520-TB	DO-201AD	1200/Tape & Box	SB560-TB	DO-201AD	1200/Tape & Box
SB520	DO-201AD	500 Unit/Box	SB560	DO-201AD	500 Unit/Box
SB530-T3	DO-201AD	1200/Tape & Reel	SB580-T3	DO-201AD	1200/Tape & Reel
SB530-TB	DO-201AD	1200/Tape & Box	SB580-TB	DO-201AD	1200/Tape & Box
SB530	DO-201AD	500 Unit/Box	SB580	DO-201AD	500 Unit/Box
SB540-T3	DO-201AD	1200/Tape & Reel	SB5100-T3	DO-201AD	1200/Tape & Reel
SB540-TB	DO-201AD	1200/Tape & Box	SB5100-TB	DO-201AD	1200/Tape & Box
SB540	DO-201AD	500 Unit/Box	SB5100	DO-201AD	500 Unit/Box
SB550-T3	DO-201AD	1200/Tape & Reel			
SB550-TB	DO-201AD	1200/Tape & Box			
SB550	DO-201AD	500 Unit/Box			

- 1). Products listed in bold are WTE Preferred devices.
2). Shipping quantity given in minimum packing quantity only, for minimum order quantity, please consult the Sales Department.
3). To oder RoHS /Lead Free version (with Lead Free finish), add "LF" suffix to part number above, for example, SB520-TB-LF.