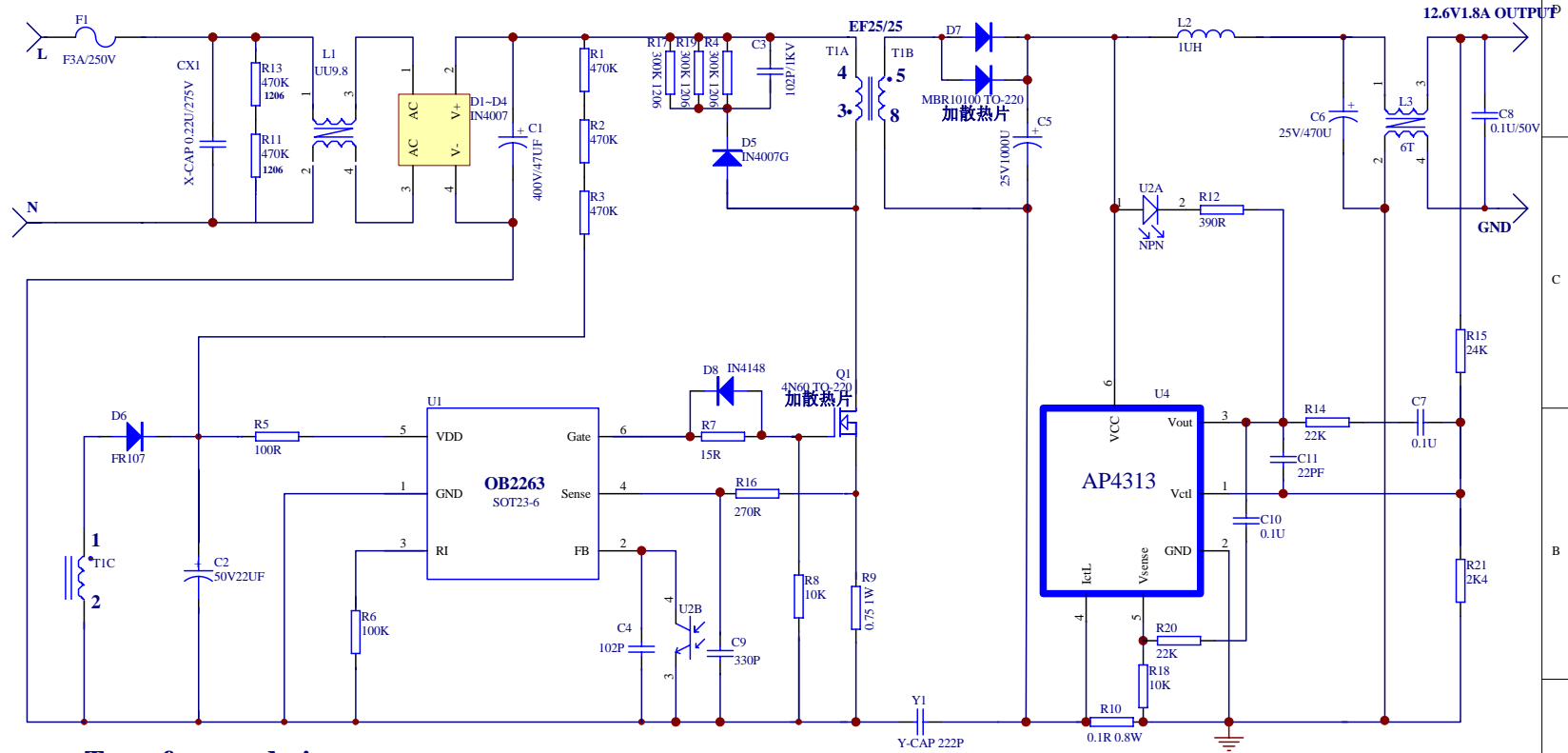


12.6V/1.8A adapter



Transformer design

EF25 CORE $L_p=1150\mu\text{H}$ $f=65\text{KHZ}$

$N_p=80\text{T}$ 0.45mm^*1

$N_s=12\text{T}$ 0.7mm^*2

$N_f=14\text{T}$ 0.2mm^*1

| | | |
|--------------------------------|-----------|----------|
| Title | | |
| Size A4 | Number | Revision |
| Date: 27-Oct-2007 | Sheet of | |
| File: E:\fans\电路设计\电路设计.dtb | Drawn By: | Francis |