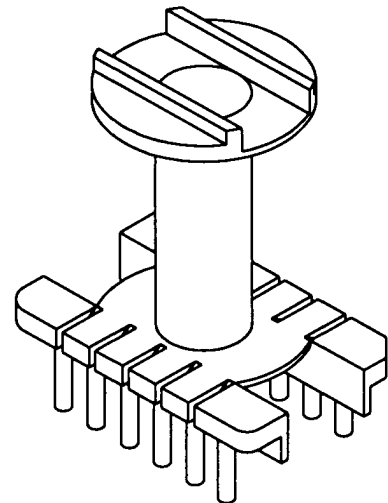
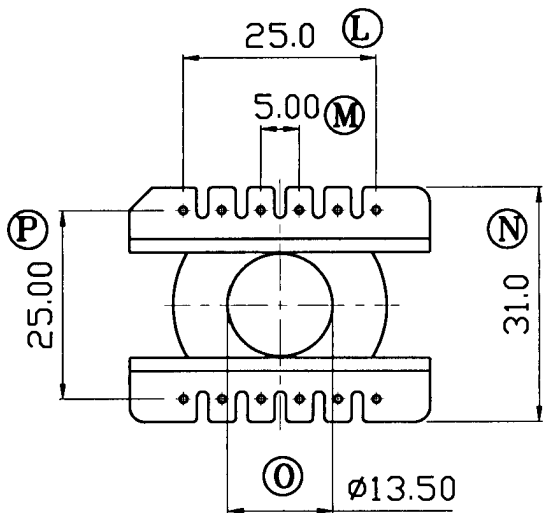
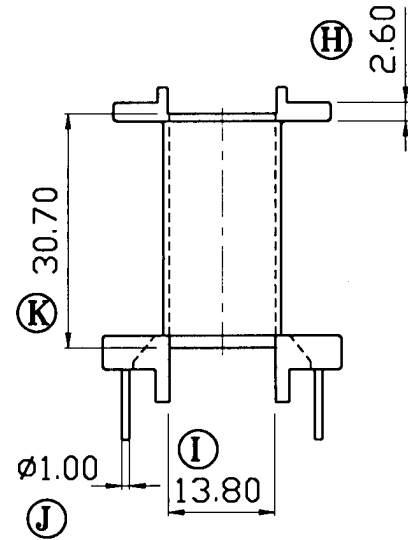
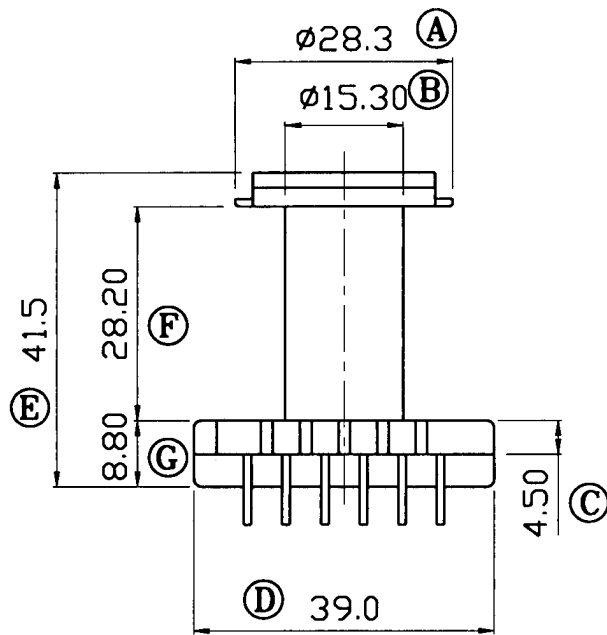


BOBBIN

STYLE : ERL-39 (12P)

FIGURE :

T3901



MATERIAL : PHENOLIC
PIN MATERIAL : CP WIRE
UL RECOGNITION : 94V-0
UNIT : MM
TOLERANCE : X.XX : +/- 0.2 MM
 X.X : +/- 0.3 MM

FAR EAST ELECTRONICS

G/F., NO. 9D Gresson Street, Wan Chai, Hong Kong
Fax: (852) 2529-5804 E-mail: info@electron.com.hk