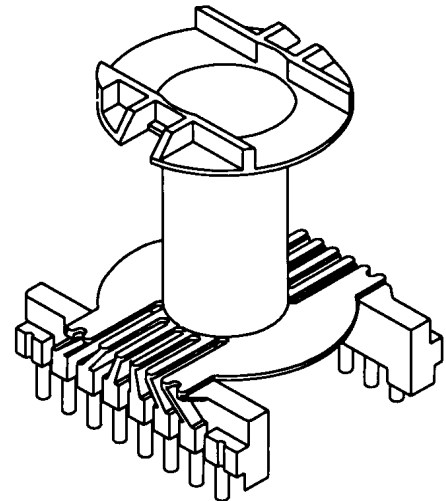
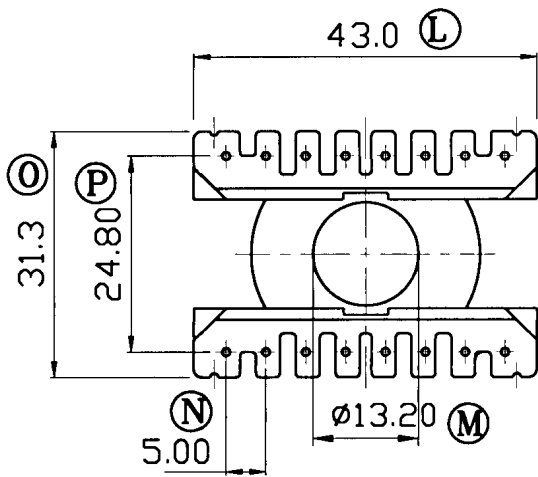
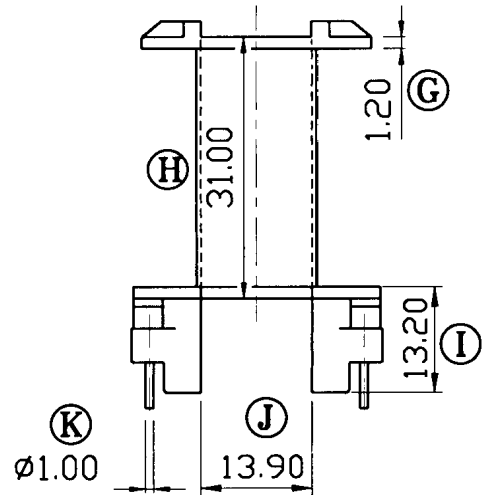
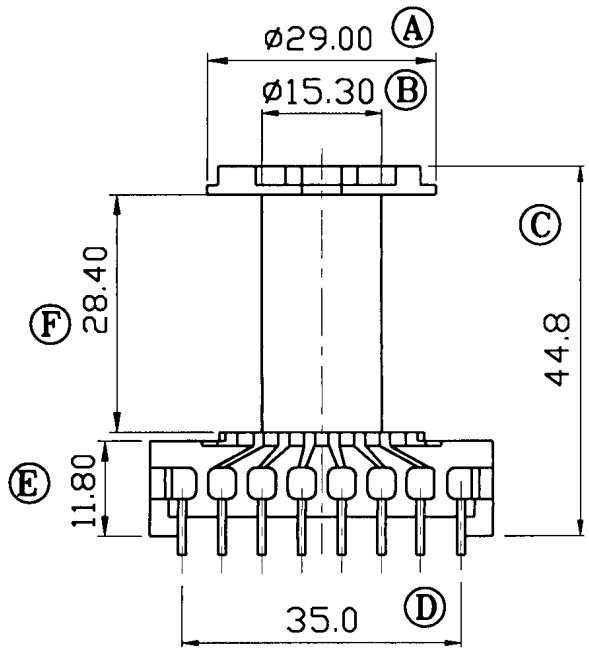


**BOBBIN**

STYLE : ERL-39A (16P)

FIGURE :

T3902



MATERIAL : PHENOLIC  
PIN MATERIAL : CP WIRE  
UL RECOGNITION : 94V-0  
UNIT : MM  
TOLERANCE : X.XX : +/- 0.2 MM  
              X.X : +/- 0.3 MM

FAR EAST ELECTRONICS

G/F., NO. 9D Gresson Street, Wan Chai, Hong Kong  
Fax: (852) 2529-5804 E-mail: info@electron.com.hk