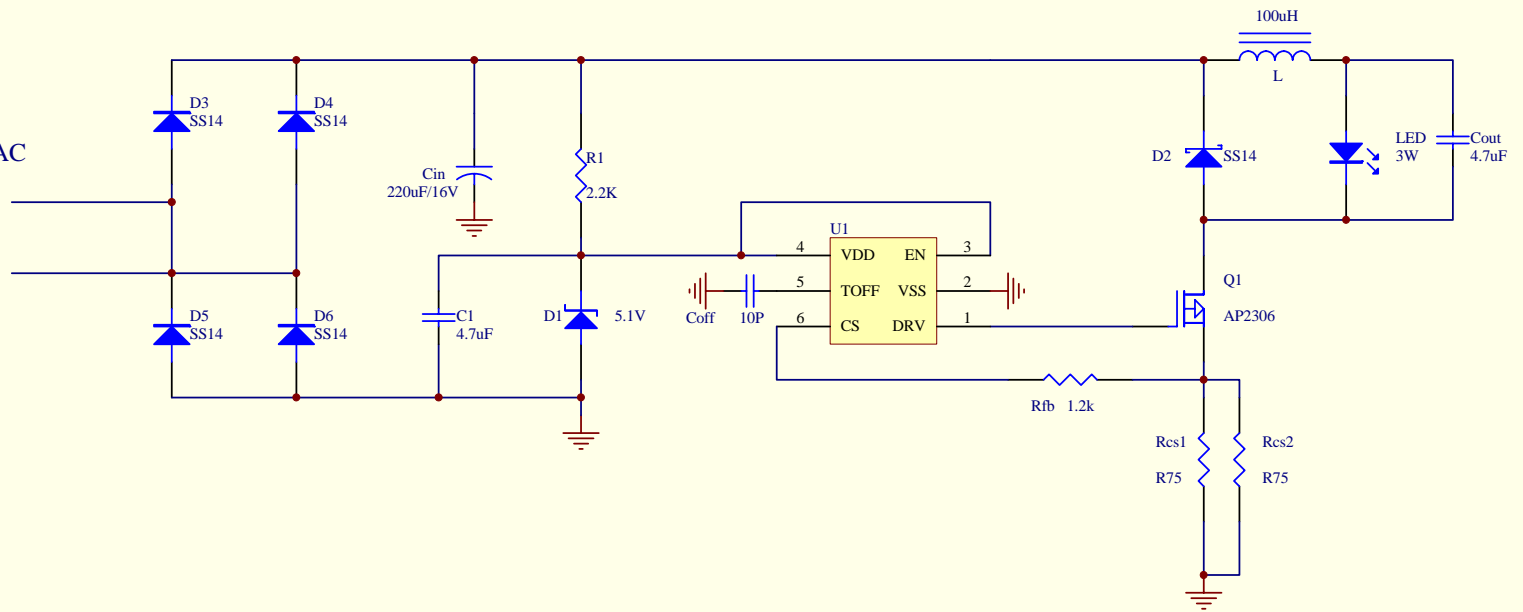


VIN=12VAC



Title		
Size A4	Number	Revision
Date: 20-Sep-2007	Sheet of	
File: E:\方案模块\QXS12A3W1P\V2.0\12VAC18W.D	18W.D	