



SMPS Transformers Lighting Application

LES TRANSFORMATEURS POUR ALIMENTATIONS À DÉCOUPAGE

The series 65 transformers have been designed to fit in the electronic transformers according to the needs of the halogen lamps market, but they are suitable for diascopes bulbs and in general for low voltage power supplies.

These transformers are fitted with ferrite core which allows operating frequencies between 30 and 50 kHz, and cover the popular power range of 60 - 105 - 150 - 200 - 250 W but are differentiated in various versions according to the customer's requirements.

La série des transformateurs 65 a été conçue pour s'adapter aux transformateurs électroniques selon les besoins du marché de la lampe halogène, mais elle convient aussi pour les ampoules diascope et de façon générale pour les alimentations basse tension.

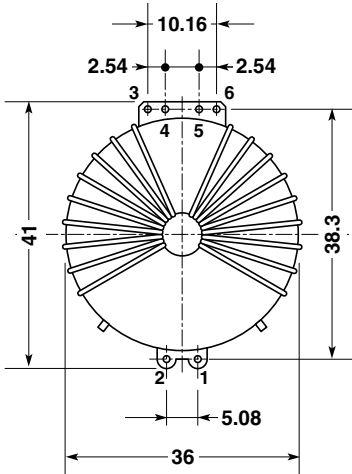
Ces transformateurs sont réalisés à partir de noyau ferrite, qui permet un fonctionnement sur une plage de fréquence située entre 30 et 50 kHz, et couvrent la gamme de puissance usuelle de 60 - 105 - 150 - 200 - 250 W, en différentes versions selon les applications des clients.



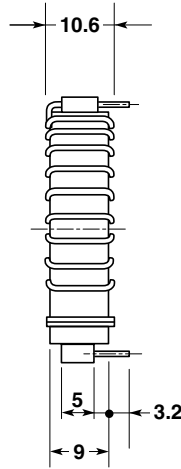
FLAT TYPE

Power 60 W at 40 kHz

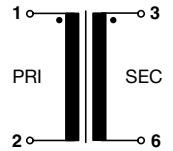
These transformers are fitted with high-permeability toroid core (ferrite). They have small dimensions and good coupling. They are mainly used in electronic transformers for halogen lamps and in switched-mode power supplies.



65E10



Dimensions in mm
Pins are tinned



○ Pins
● Start of winding

Mounting holes on PCB
Primary pins: \varnothing 1.3
Secondary Pins: \varnothing 1.7

Types and Technical Data

Code	Rated power W	Supply voltage V	PRI voltage V	SEC voltage V	PRI Inductance mH
65E10 06 00	60	230	130-170	12	20
65E10 06 07	60	115	65-85	12	4

The table shows the basic versions. Customized types can be supplied according to customer's specifications.

Test voltage prim. /sec.: 3750 V/50 Hz - 1 min
Primary inductance.: measured at 10 kHz
Approx. weight: 26 g

Approval:  EN 61046 Annex C - EN 60065 - 14.3.2 a

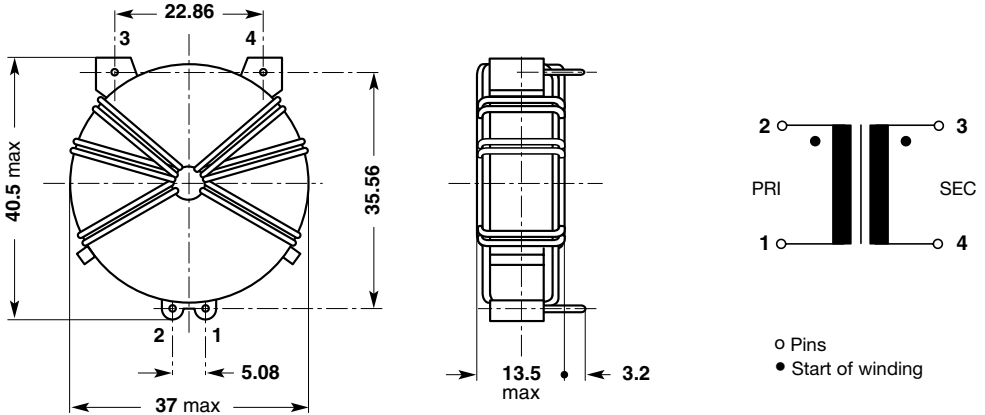
The cases are of flame-retardant plastic material in accordance with UL 94V-0



FLAT TYPE

Power 105 W at 40 kHz

These transformers are fitted with high-permeability toroid core (ferrite). They have small dimensions and good coupling. They are mainly used in electronic transformers for halogen lamps and in switched-mode power supplies.



65F13 A

Dimensions in mm
Pins are tinned

Mounting holes on PCB
Primary pins: \varnothing 1.3
Secondary Pins: \varnothing 2.5

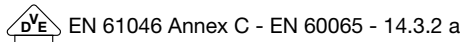
Types and Technical data

Code	Rated power W	Supply voltage V	PRI voltage V	SEC voltage V	PRI inductance mH
65F13 A1 00	105	230	130-170	12	8
65F13 A1 20	105	115	65-85	12	2.5

The table shows the basic versions. Customized types can be supplied according to customer's specifications.

Test voltage prim. /sec.: 3750 V/50 Hz - 1 min
Primary inductance.: measured at 10 kHz
Approx. weight: 37 g

Approval:



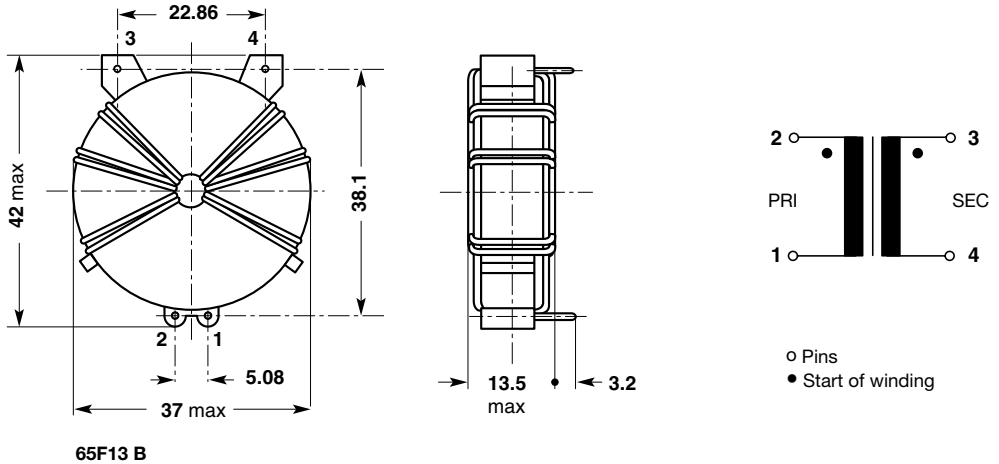
The cases are of flame-retardant plastic material in accordance with UL 94V-0



FLAT TYPE

Power 105 W at 40 kHz

These transformers are fitted with high-permeability toroid core (ferrite). They have small dimensions and good coupling. They are mainly used in electronic transformers for halogen lamps and in switched-mode power supplies.



Dimensions in mm
Pins are tinned

Mounting holes on PCB
Primary pins: \varnothing 1.3
Secondary Pins: \varnothing 2.5

Types and Technical data

Code	Rated power W	Supply voltage V	PRI voltage V	SEC voltage V	PRI inductance mH
65F13 B1 00	105	230	130-170	12	12
65F13 B1 20	105	115	65-85	12	2.5

The table shows the basic versions. Customized types can be supplied according to customer's specifications.

Test voltage prim. /sec.: 3750 V/50 Hz - 1 min
 Primary inductance.: measured at 10 kHz
 Approx. weight: 37 g

Approval: EN 61046 Annex C - EN 60065 - 14.3.2 a

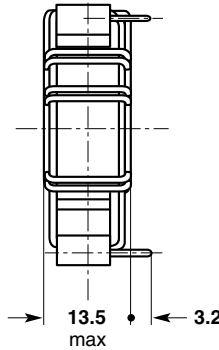
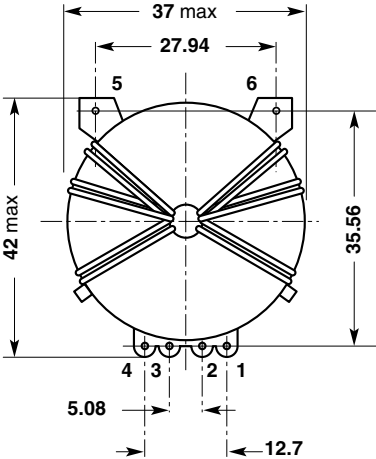
The cases are of flame-retardant plastic material in accordance with UL 94V-0



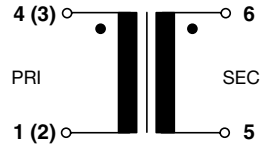
FLAT TYPE

Power 105 W at 40 kHz

These transformers are fitted with high-permeability toroid core (ferrite). They have small dimensions and good coupling. They are mainly used in electronic transformers for halogen lamps and in switched-mode power supplies.



Dimensions in mm
Pins are tinned



○ Pins
● Start of winding

65F13 C
65F13 D

Mounting holes on PCB
Primary pins: \varnothing 1.3
Secondary Pins: \varnothing 2.5
 \varnothing 3.0*

*for 65F13 C1 10 only

Types and Technical data

Code	Pins		Rated power W	Supply voltage V	PRI voltage V	SEC voltage V	PRI Inductance mH
	Prim.	Sec.					
65F13 C1 00	1 - 4	5 - 6	105	230	130-170	12	12
65F13 C1 10	1 - 4	5 - 6	105	240	130-170	12	13
65F13 C1 20	1 - 4	5 - 6	105	115	65 - 85	12	2.5
65F13 D1 00	2 - 3	5 - 6	105	230	130 - 170	12	12
65F13 D1 20	2 - 3	5 - 6	105	115	65 - 85	12	2.5

The table shows the basic versions. Customized types can be supplied according to customer's specifications.

Test voltage prim. /sec.: 3750 V/50 Hz - 1 min
Primary inductance.: measured at 10 kHz
Approx. weight: 37 g

Approval:



EN 61046 Annex C - EN 60065 - 14.3.2 a

The cases are of flame-retardant plastic material in accordance with UL 94V-0