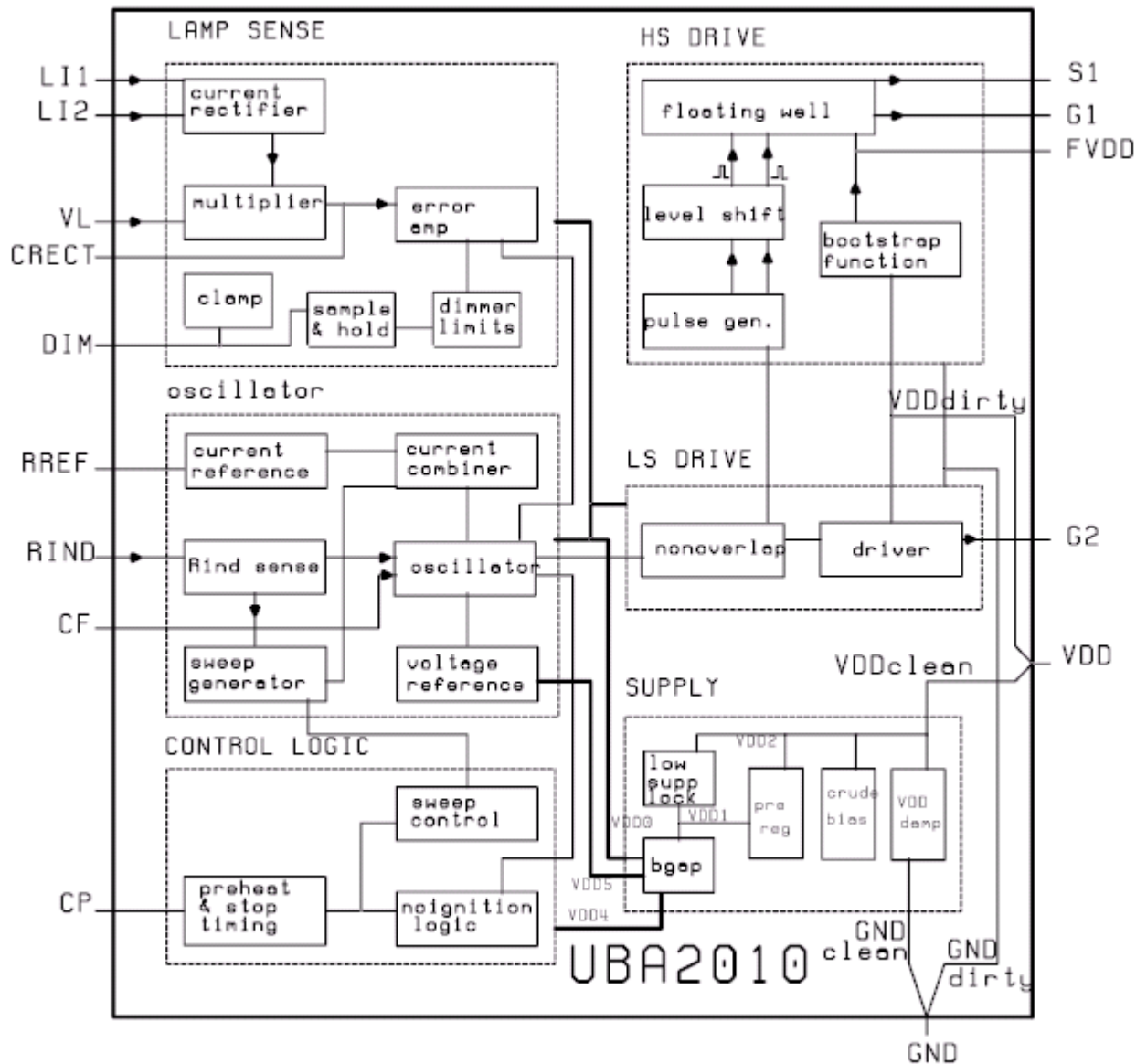


**Наименование:** UBA2010  
**Фирма:** Philips  
**Назначение:** DIMMABLE HALF BRIDGE driver for fluorescent lamps

#### Features

Dimming capability to about 1%  
 Drives lamp types T12, T8 (2-4-5foot), PL-L(18-55W), PLC(18-26W), PLT(18-32W), and TLD(T8-6foot-70W)  
 Lamp power dimming regulation  
 High voltage level-shift for direct drive of 2 half-bridge power switches  
 Adjustable preheat time  
 Adjustable preheat current  
 Prevents capacitive-mode operation of the half-bridge  
 Stop function  
 Flash reduction when starting at low dim levels  
 Low power startup requirements  
 Single ignition attempt



SOT38 (16p DIP) UBA2010

- 1 CRECT Lamp power filtering capacitor
- 2 VL Sensing of averaged lamp voltage
- 3 CP Preheat and stop timing capacitor

- 4 DIM Dimming level control
- 5 nc High-voltage spacer (only in case for SO encapsulation)
- 6 S1 Source of high-side switch
- 7 G1 Gate of high-side switch
- 8 FVDD Floating supply; supply for high-side switch
- 9 GND Ground
- 10 G2 Gate of low-side switch
- 11 VDD Supply for ground level control and drive
- 12 RREF Reference resistor
- 13 CF Capacitor for setting VCO frequency
- 14 RIND Inductor current monitoring input
- 15 LI1 Differential input for sensing lamp current
- 16 LI2 Differential input for sensing lamp current

