

6

5

4

3

2

1

REVISION RECORD			
LN	ECO NO	APPROVED	DATE

D

D

C

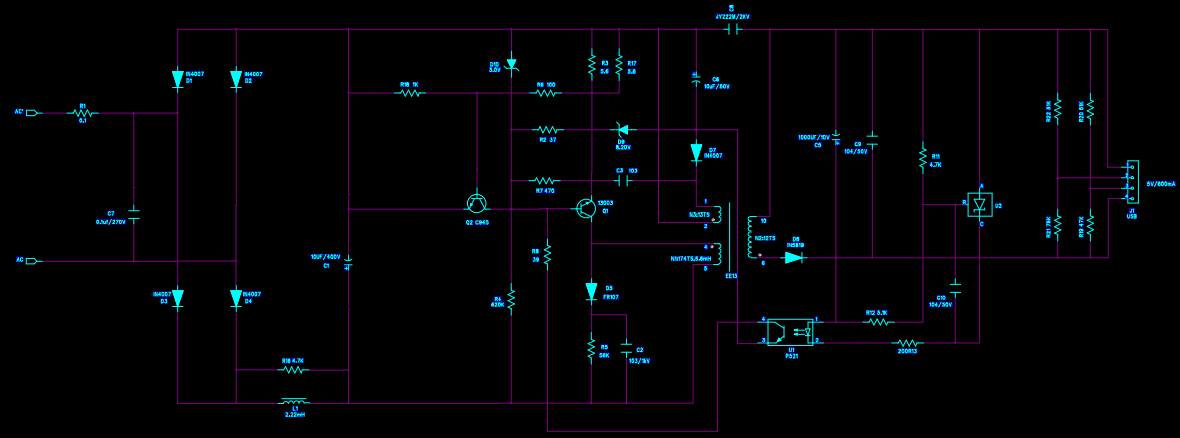
C

B

B

A

A



DRAWN		DATE		COMPANY	
CHECKED		DATE		TITLE	
QUALITY CONTROL		DATE		CODE	
RELEASED		DATE		SIZE	DRAWING NO.
					REV
				SCALE	SHEET: 1 OF 1