

C

B

A

1

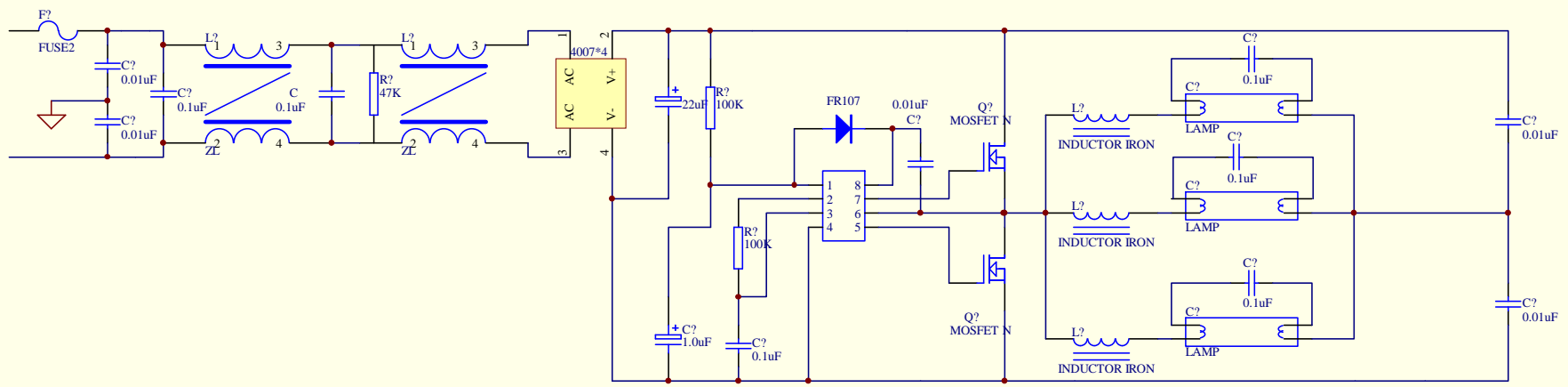
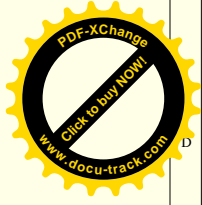
2

3

4

5

Title	
Size	Number
B	
Date:	29-Dec-2007
File:	D:\PCB\55W-3.ddb



Title		
Size	Number	Revision
B		
Date:	29-Dec-2007	Sheet of
File:	D:\PCB\55W-3.ddb	Drawn By:

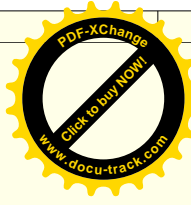
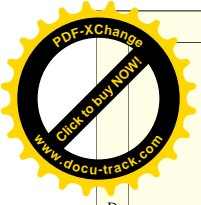
2

3

4

5

6



D  
C  
B  
A

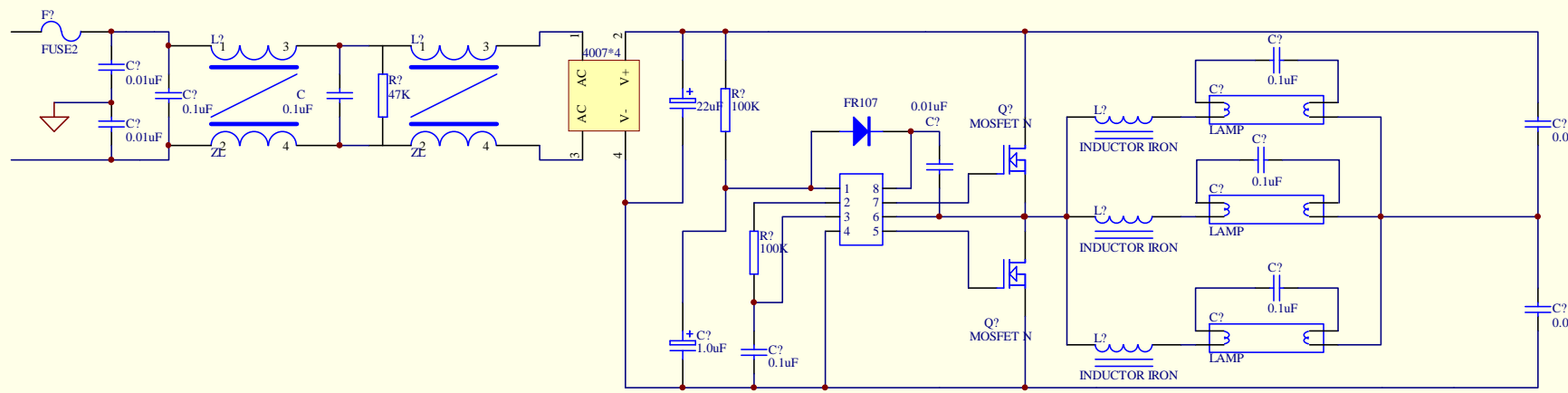
1

2

3

4

5



1

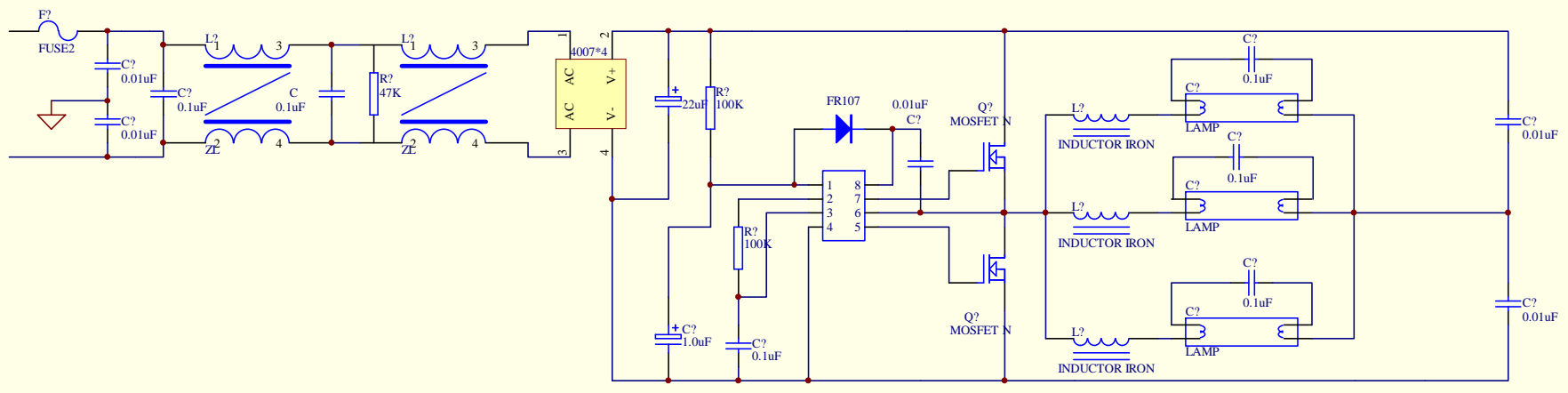
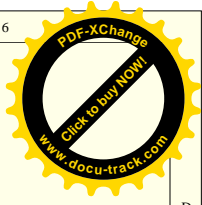
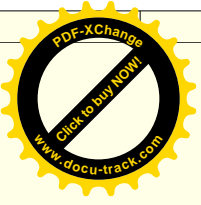
2

3

4

5

Title	
Size	Number
B	
Date:	29-Dec-2007
File:	D:\PCB\55W-3.ddb



Title		
Size	Number	Revision
B		
Date:	29-Dec-2007	Sheet of
File:	D:\PCB\55W-3.ddb	Drawn By: