

SINGLE-CHANNEL
6N137
HCPL-2601
HCPL-2611

DUAL-CHANNEL
HCPL-2630
HCPL-2631

DESCRIPTION

The 6N137, HCPL-2601/2611 single-channel and HCPL-2630/2631 dual-channel optocouplers consist of a 850 nm AlGaAs LED, optically coupled to a very high speed integrated photodetector logic gate with a strobable output. This output features an open collector, thereby permitting wired OR outputs. The coupled parameters are guaranteed over the temperature range of -40°C to +85°C. A maximum input signal of 5 mA will provide a minimum output sink current of 13 mA (fan out of 8).

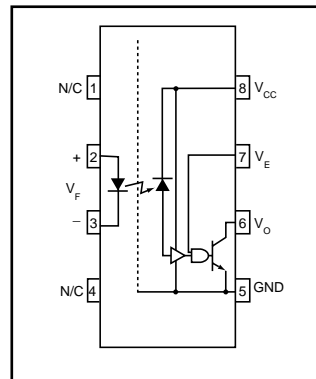
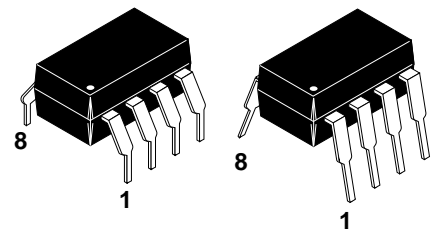
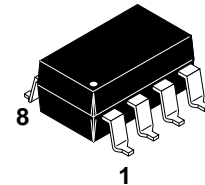
An internal noise shield provides superior common mode rejection of typically 10 kV/μs. The HCPL-2601 and HCPL-2631 has a minimum CMR of 5 kV/μs. The HCPL-2611 has a minimum CMR of 10 kV/μs.

FEATURES

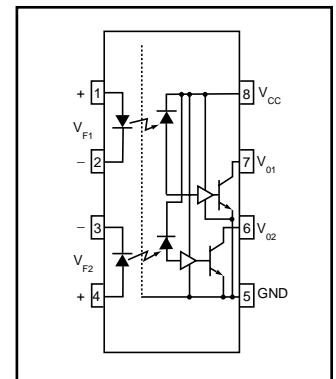
- Very high speed-10 MBit/s
- Superior CMR-10 kV/μs
- Double working voltage-480V
- Fan-out of 8 over -40°C to +85°C
- Logic gate output
- Storable output
- Wired OR-open collector
- U.L. recognized (File # E90700)

APPLICATIONS

- Ground loop elimination
- LSTTL to TTL, LSTTL or 5-volt CMOS
- Line receiver, data transmission
- Data multiplexing
- Switching power supplies
- Pulse transformer replacement
- Computer-peripheral interface



Single-channel
circuit drawing



Dual-channel
circuit drawing

TRUTH TABLE
(Positive Logic)

Input	Enable	Output
H	H	L
L	H	H
H	L	H
L	L	H
H	NC	L
L	NC	H

A 0.1 μF bypass capacitor must be connected between pins 8 and 5.
(See note 1)

SINGLE-CHANNEL
6N137
HCPL-2601
HCPL-2611

DUAL-CHANNEL
HCPL-2630
HCPL-2631

ABSOLUTE MAXIMUM RATINGS (No derating required up to 85°C)

Parameter	Symbol	Value	Units
Storage Temperature	T_{STG}	-55 to +125	°C
Operating Temperature	T_{OPR}	-40 to +85	°C
Lead Solder Temperature	T_{SOL}	260 for 10 sec	°C
EMITTER			
DC/Average Forward Input Current	I_F	50	mA
		30	
Enable Input Voltage	V_E	5.5	V
Not to exceed V_{CC} by more than 500 mV			
Reverse Input Voltage	V_R	5.0	V
Power Dissipation	P_I	100	mW
		45	
DETECTOR			
Supply Voltage	V_{CC} (1 minute max)	7.0	V
Output Current	I_O	50	mA
		50	
Output Voltage	V_O	7.0	V
Collector Output Power Dissipation	P_O	85	mW
		60	

RECOMMENDED OPERATING CONDITIONS

Parameter	Symbol	Min	Max	Units
Input Current, Low Level	I_{FL}	0	250	μA
Input Current, High Level	I_{FH}	*6.3	15	mA
Supply Voltage, Output	V_{CC}	4.5	5.5	V
Enable Voltage, Low Level	V_{EL}	0	0.8	V
Enable Voltage, High Level	V_{EH}	2.0	V_{CC}	V
Low Level Supply Current	T_A	-40	+85	°C
Fan Out (TTL load)	N		8	

* 6.3 mA is a guard banded value which allows for at least 20 % CTR degradation. Initial input current threshold value is 5.0 mA or less

SINGLE-CHANNEL
6N137
HCPL-2601
HCPL-2611

DUAL-CHANNEL
HCPL-2630
HCPL-2631

ELECTRICAL CHARACTERISTICS (T_A = -40°C to +85°C Unless otherwise specified.)

INDIVIDUAL COMPONENT CHARACTERISTICS

Parameter	Test Conditions	Symbol	Min	Typ**	Max	Unit
EMITTER						
Input Forward Voltage	(I _F = 10 mA) T _A = 25°C	V _F		1.4	1.8	V
Input Reverse Breakdown Voltage	(I _R = 10 μA)	B _{VR}	5.0			V
Input Capacitance	(V _F = 0, f = 1 MHz)	C _{IN}		60		pF
Input Diode Temperature Coefficient	(I _F = 10 mA)	ΔV _F /ΔT _A		-1.4		mV/°C
DETECTOR						
High Level Supply Current	Single Channel (V _{CC} = 5.5 V, I _F = 0 mA) Dual Channel (V _E = 0.5 V)	I _{CCH}		7	10	mA
Low Level Supply Current	Single Channel (V _{CC} = 5.5 V, I _F = 10 mA) Dual Channel (V _E = 0.5 V)	I _{CCL}		9	13	mA
Low Level Enable Current	(V _{CC} = 5.5 V, V _E = 0.5 V)	I _{EL}		-0.8	-1.6	mA
High Level Enable Current	(V _{CC} = 5.5 V, V _E = 2.0 V)	I _{EH}		-0.6	-1.6	mA
High Level Enable Voltage	(V _{CC} = 5.5 V, I _F = 10 mA)	V _{EH}	2.0			V
Low Level Enable Voltage	(V _{CC} = 5.5 V, I _F = 10 mA) (Note 3)	V _{EL}			0.8	V

SWITCHING CHARACTERISTICS (T_A = -40°C to +85°C, V_{CC} = 5 V, I_F = 7.5 mA Unless otherwise specified.)

AC Characteristics	Test Conditions	Symbol	Min	Typ**	Max	Unit
Propagation Delay Time to Output High Level	(Note 4) (T _A = 25°C) (R _L = 350 Ω, C _L = 15 pF) (Fig. 12)	T _{PLH}	20	45	75	ns
Propagation Delay Time to Output Low Level	(Note 5) (T _A = 25°C) (R _L = 350 Ω, C _L = 15 pF) (Fig. 12)	T _{PHL}	25	45	75	ns
Pulse Width Distortion	(R _L = 350 Ω, C _L = 15 pF) (Fig. 12)	T _{PHL} - T _{PLH}		3	35	ns
Output Rise Time (10-90%)	(R _L = 350 Ω, C _L = 15 pF) (Note 6) (Fig. 12)	t _r		50		ns
Output Fall Time (90-10%)	(R _L = 350 Ω, C _L = 15 pF) (Note 7) (Fig. 12)	t _f		12		ns
Enable Propagation Delay Time to Output High Level	(I _F = 7.5 mA, V _{EH} = 3.5 V) (R _L = 350 Ω, C _L = 15 pF) (Note 8) (Fig. 13)	t _{ELH}		20		ns
Enable Propagation Delay Time to Output Low Level	(I _F = 7.5 mA, V _{EH} = 3.5 V) (R _L = 350 Ω, C _L = 15 pF) (Note 9) (Fig. 13)	t _{EHL}		20		ns
Common Mode Transient Immunity (at Output High Level)	(T _A = 25°C) V _{CM} = 50 V, (Peak) (I _F = 0 mA, V _{OH} (Min.) = 2.0 V)	C _{MH}				V/μs
	6N137, HCPL-2630 (R _L = 350 Ω) (Note 10)			10,000		
	HCPL-2601, HCPL-2631 (Fig. 14)		5000	10,000		
	HCPL-2611 V _{CM} = 400 V		10,000	15,000		
Common Mode Transient Immunity (at Output Low Level)	(R _L = 350 Ω) (I _F = 7.5 mA, V _{OL} (Max.) = 0.8 V) (T _A = 25°C) V _{CM} = 50 V (Peak)	C _{ML}		10,000		V/μs
	6N137, HCPL-2630			10,000		
	HCPL-2601, HCPL-2631 (Note 11) (Fig. 14)		5000	10,000		
	HCPL-2611 (T _A = 25°C) V _{CM} = 400 V		10,000	15,000		

SINGLE-CHANNEL
6N137
HCPL-2601
HCPL-2611

DUAL-CHANNEL
HCPL-2630
HCPL-2631

TRANSFER CHARACTERISTICS (T_A = -40°C to +85°C Unless otherwise specified.)

DC Characteristics	Test Conditions	Symbol	Min	Typ**	Max	Unit
High Level Output Current	(V _{CC} = 5.5 V, V _O = 5.5 V) (I _F = 250 μA, V _E = 2.0 V) (Note 2)	I _{OH}			100	μA
Low Level Output Current	(V _{CC} = 5.5 V, I _F = 5 mA) (V _E = 2.0 V, I _{CL} = 13 mA) (Note 2)	V _{OL}		.35	.06	V
Input Threshold Current	(V _{CC} = 5.5 V, V _O = 0.6 V, V _E = 2.0 V, I _{OL} = 13 mA)	I _{FT}		3	5	mA

ISOLATION CHARACTERISTICS (T_A = -40°C to +85°C Unless otherwise specified.)

Characteristics	Test Conditions	Symbol	Min	Typ**	Max	Unit
Input-Output Insulation Leakage Current	(Relative humidity = 45%) (T _A = 25°C, t = 5 s) (V _{I-O} = 3000 VDC) (Note 12)	I _{I-O}			1.0*	μA
Withstand Insulation Test Voltage	(RH < 50%, T _A = 25°C) (Note 12) (t = 1 min.)	V _{ISO}	2500			V _{RMS}
Resistance (Input to Output)	(V _{I-O} = 500 V) (Note 12)	R _{I-O}		10 ¹²		Ω
Capacitance (Input to Output)	(f = 1 MHz) (Note 12)	C _{I-O}		0.6		pF

** All typical values are at V_{CC} = 5 V, T_A = 25°C

NOTES

- The V_{CC} supply to each optoisolator must be bypassed by a 0.1μF capacitor or larger. This can be either a ceramic or solid tantalum capacitor with good high frequency characteristic and should be connected as close as possible to the package V_{CC} and GND pins of each device.
- Each channel.
- Enable Input - No pull up resistor required as the device has an internal pull up resistor.
- t_{PLH} - Propagation delay is measured from the 3.75 mA level on the HIGH to LOW transition of the input current pulse to the 1.5 V level on the LOW to HIGH transition of the output voltage pulse.
- t_{PHL} - Propagation delay is measured from the 3.75 mA level on the LOW to HIGH transition of the input current pulse to the 1.5 V level on the HIGH to LOW transition of the output voltage pulse.
- t_r - Rise time is measured from the 90% to the 10% levels on the LOW to HIGH transition of the output pulse.
- t_f - Fall time is measured from the 10% to the 90% levels on the HIGH to LOW transition of the output pulse.
- t_{ELH} - Enable input propagation delay is measured from the 1.5 V level on the HIGH to LOW transition of the input voltage pulse to the 1.5 V level on the LOW to HIGH transition of the output voltage pulse.
- t_{EHL} - Enable input propagation delay is measured from the 1.5 V level on the LOW to HIGH transition of the input voltage pulse to the 1.5 V level on the HIGH to LOW transition of the output voltage pulse.
- CM_H - The maximum tolerable rate of rise of the common mode voltage to ensure the output will remain in the high state (i.e., V_{OUT} > 2.0 V). Measured in volts per microsecond (V/μs).
- CM_L - The maximum tolerable rate of rise of the common mode voltage to ensure the output will remain in the low output state (i.e., V_{OUT} < 0.8 V). Measured in volts per microsecond (V/μs).
- Device considered a two-terminal device: Pins 1,2,3 and 4 shorted together, and Pins 5,6,7 and 8 shorted together.

SINGLE-CHANNEL
6N137
HCPL-2601
HCPL-2611

DUAL-CHANNEL
HCPL-2630
HCPL-2631

Fig.1 Low Level Output Voltage vs. Ambient Temperature

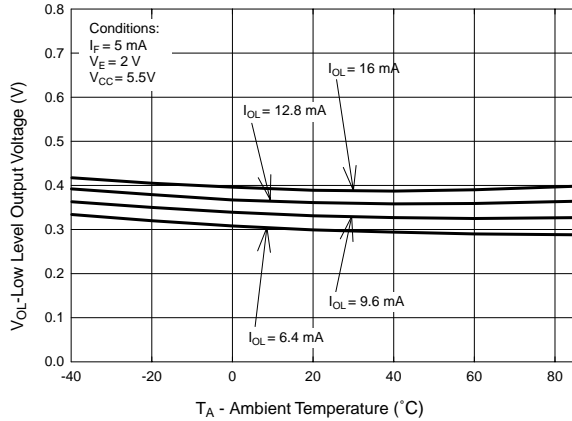


Fig. 2 Input Diode Forward Voltage vs. Forward Current

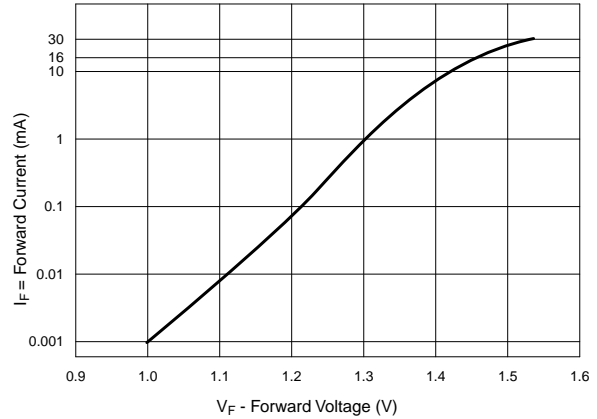


Fig.3 Switching Time vs. Forward Current

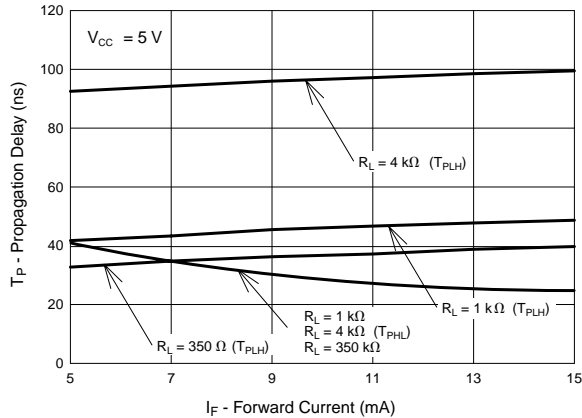


Fig. 4 Low Level Output Current vs. Ambient Temperature

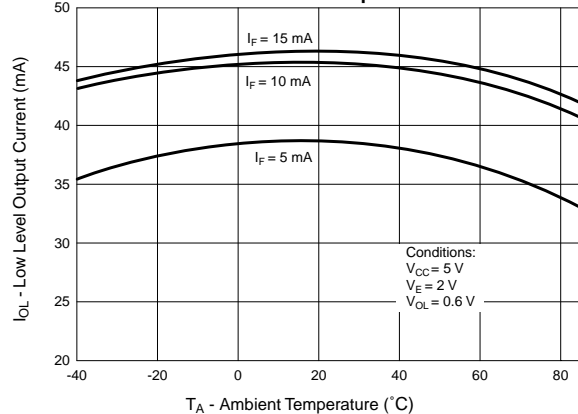


Fig. 5 Input Threshold Current vs. Ambient Temperature

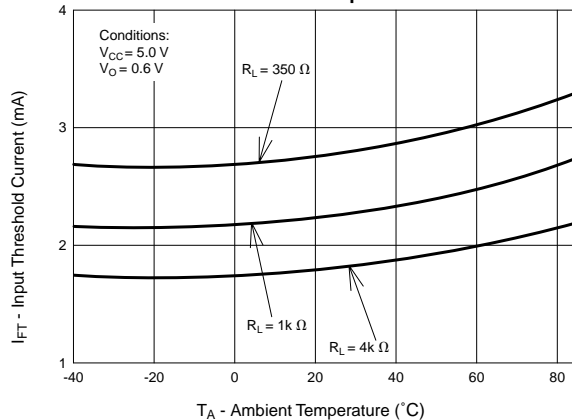
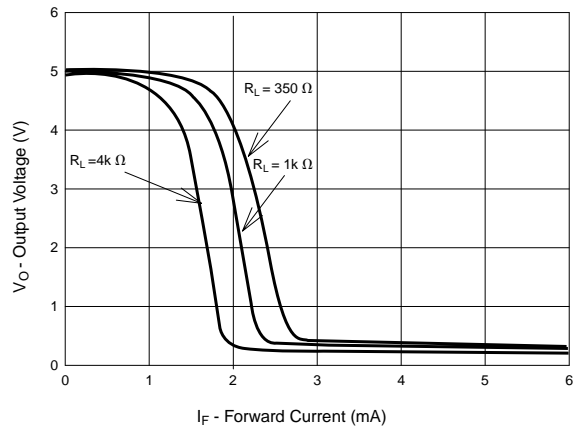


Fig. 6 Output Voltage vs. Input Forward Current



SINGLE-CHANNEL
6N137
HCPL-2601
HCPL-2611

DUAL-CHANNEL
HCPL-2630
HCPL-2631

Fig. 7 Pulse Width Distortion vs. Temperature

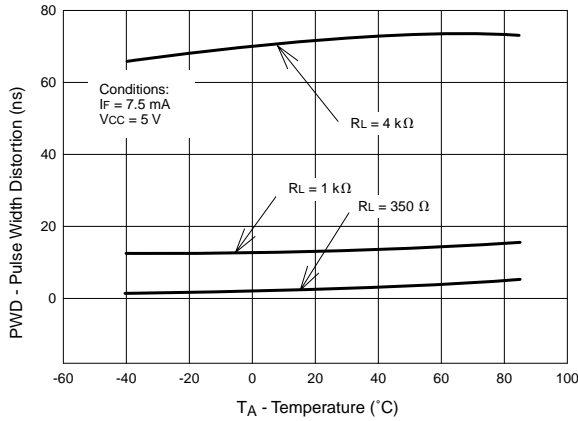


Fig. 8 Rise and Fall Time vs. Temperature

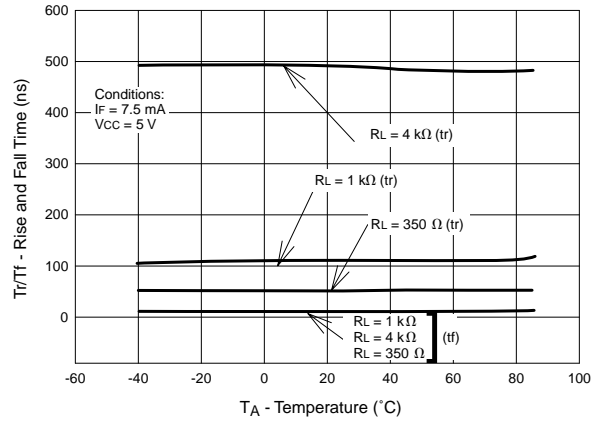


Fig. 9 Enable Propagation Delay vs. Temperature

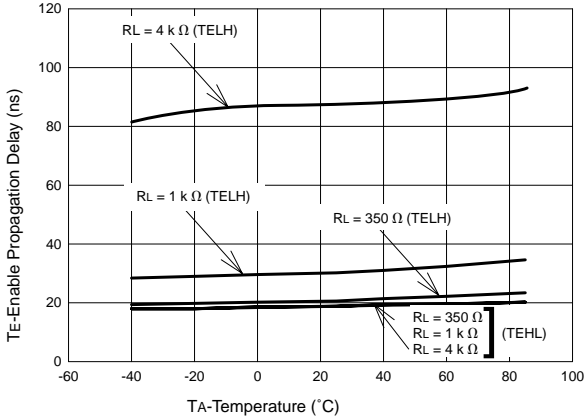


Fig. 10 Switching Time vs. Temperature

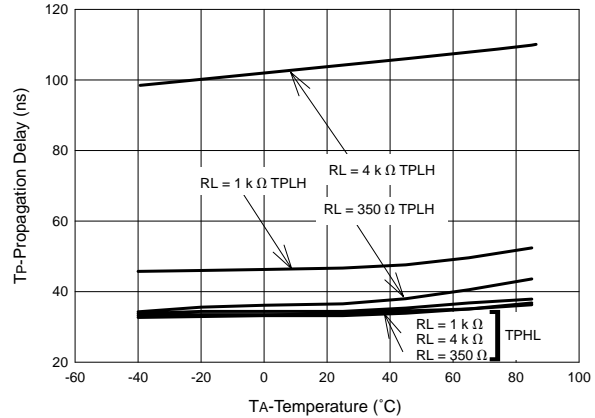
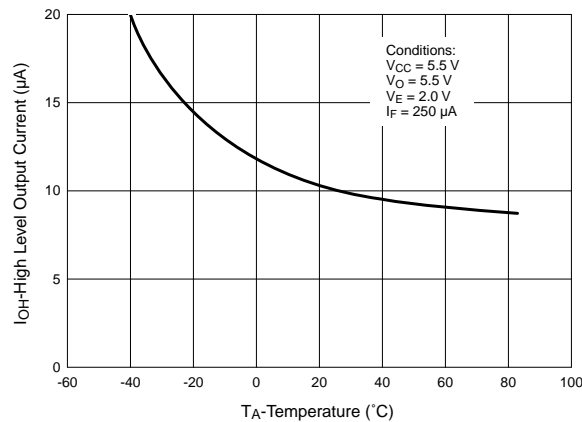


Fig. 11 High Level Output Current vs. Temperature



SINGLE-CHANNEL
6N137
HCPL-2601
HCPL-2611

DUAL-CHANNEL
HCPL-2630
HCPL-2631

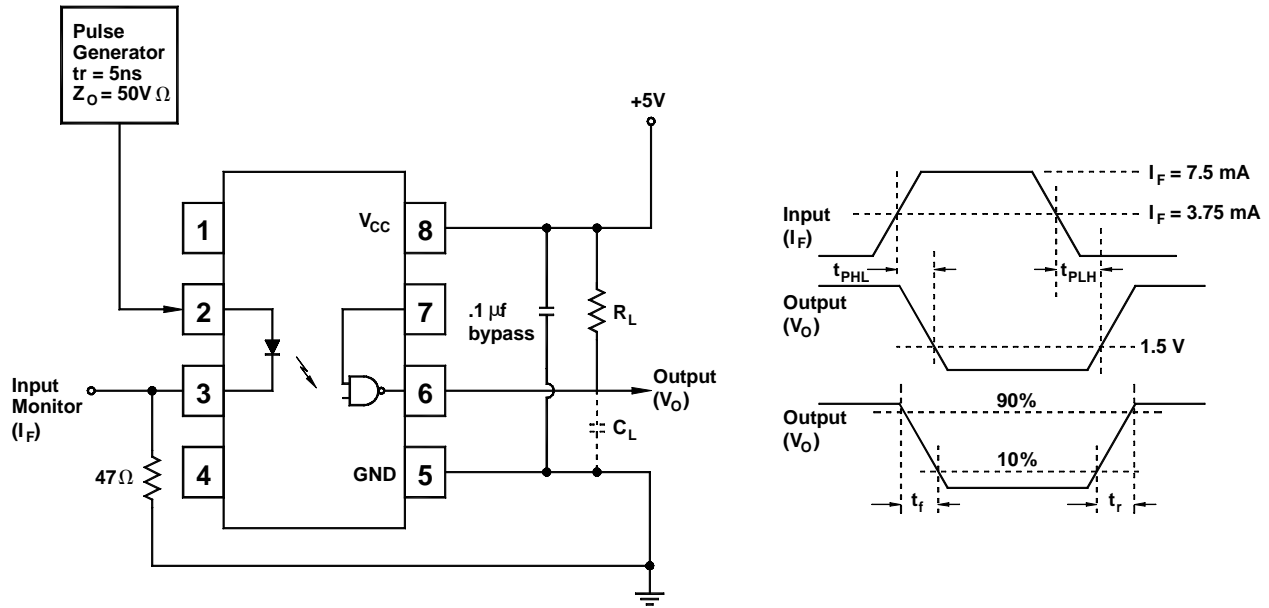


Fig. 12 Test Circuit and Waveforms for t_{PLH} , t_{PHL} , t_r and t_f .

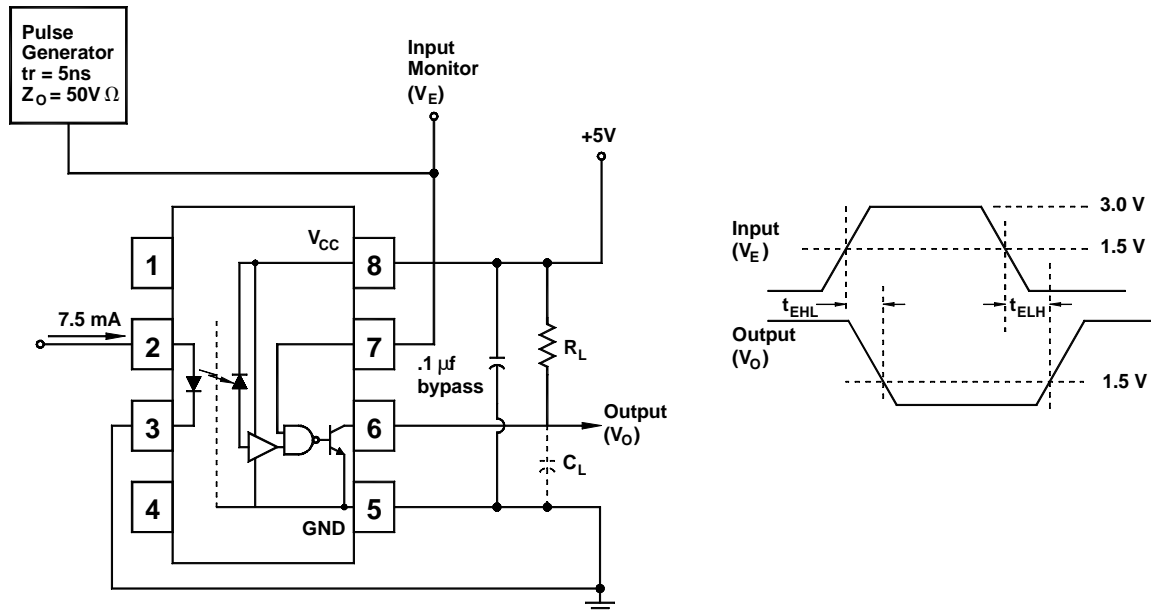


Fig. 13 Test Circuit t_{EHL} and t_{ELH} .

SINGLE-CHANNEL
6N137
HCPL-2601
HCPL-2611

DUAL-CHANNEL
HCPL-2630
HCPL-2631

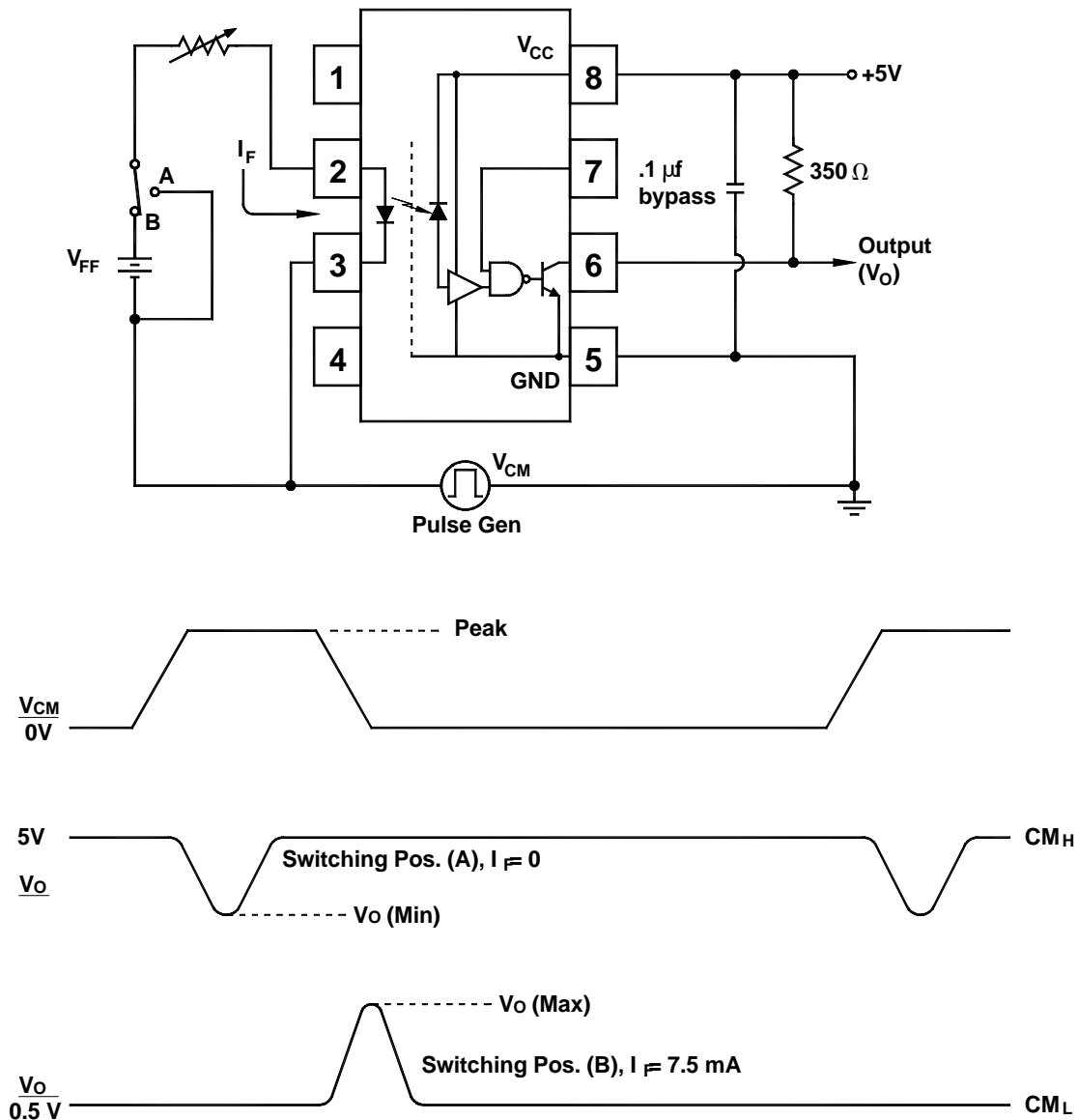
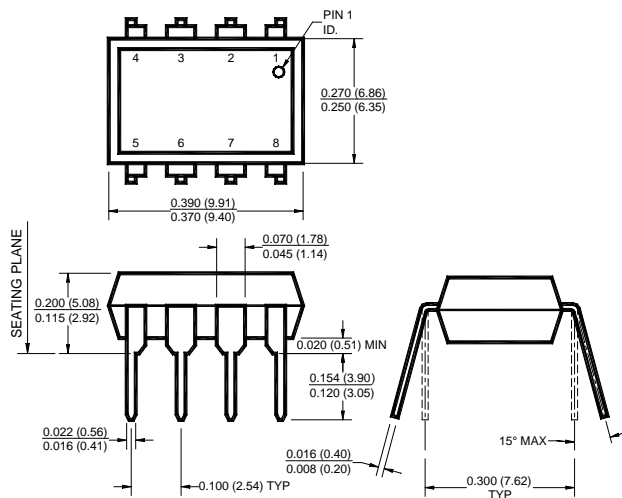


Fig. 14 Test Circuit Common Mode Transient Immunity

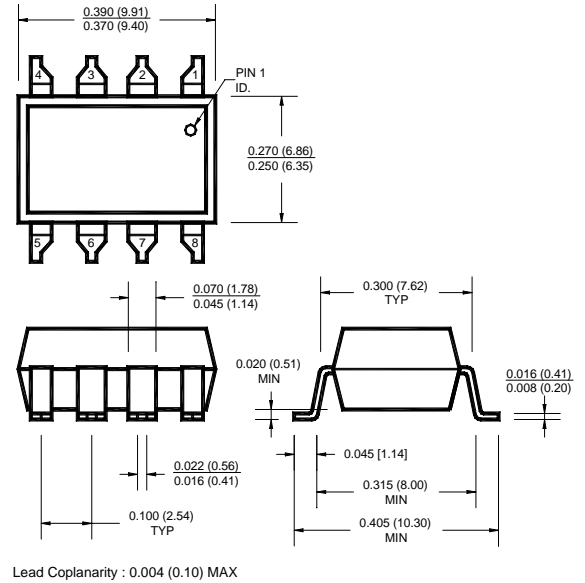
SINGLE-CHANNEL
6N137
HCPL-2601
HCPL-2611

DUAL-CHANNEL
HCPL-2630
HCPL-2631

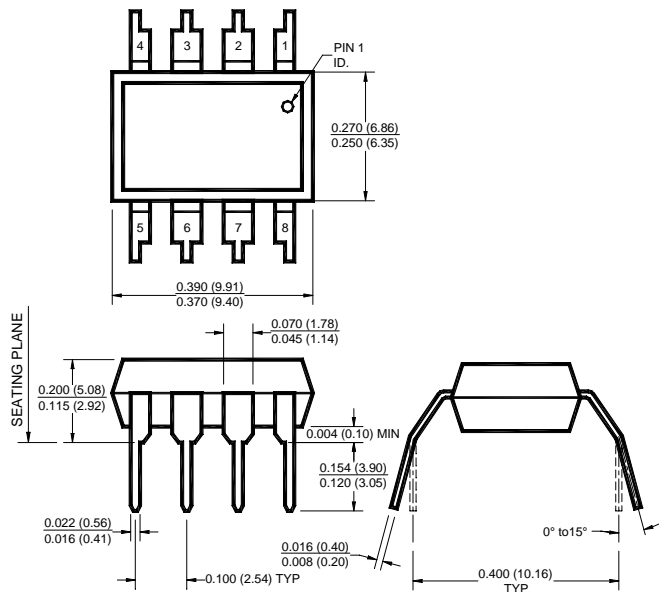
Package Dimensions (Through Hole)



Package Dimensions (Surface Mount)



Package Dimensions (0.4" Lead Spacing)



NOTE

All dimensions are in inches (millimeters)

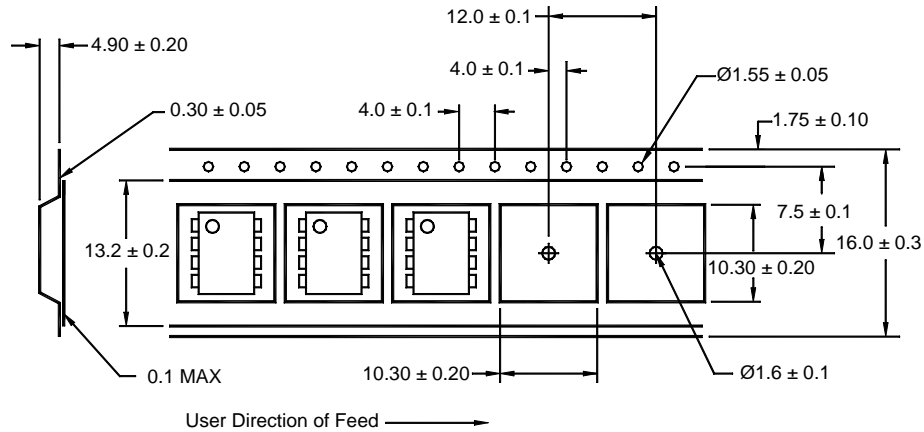
SINGLE-CHANNEL
6N137
HCPL-2601
HCPL-2611

DUAL-CHANNEL
HCPL-2630
HCPL-2631

ORDERING INFORMATION

Option	Order Entry Identifier	Description
R2	.R2	Opto Plus Reliability Conditioning
S	.S	Surface Mount Lead Bend
SD	.SD	Surface Mount; Tape and reel
W	.W	0.4" Lead Spacing

QT Carrier Tape Specifications ("D" Taping Orientation)



Corporate Headquarters

QT Optoelectronics
610 North Mary Avenue
Sunnyvale, CA 94086
(408) 720-1440 Phone
(408) 720-0848 Fax

North American Sales

QT Optoelectronics
16775 Addison Rd., Suite 200
Addison, TX 75001
(972) 447-1300 Phone
(972) 447-0784 Fax

European Sales

Quality Technologies Deutschland GmbH
Max-Huber-Strasse 8
D-85737 Ismaning, Germany
49 [0] 89/96.30.51 Phone
49 [0] 89/96.54.74 Fax

European Sales

QT Optoelectronics
"Le Levant"
2, rue du Nouveau Bercy
F-94277-CHARENTON-LE PONT Cedex
FRANCE
33 [0] 1.45.18.78.78 Phone
33 [0] 1.43.75.77.57 Fax

Asia/Pacific Sales

QT Optoelectronics
B613, 6th Floor
East Wing, Wisma Tractors
Jalan SS16/1, Subang Jaya
47500 Petaling Jaya
Selangor Darul Eshan, Malaysia
603/735-2417 Phone
603/736-3382 Fax

European Sales

Quality Technologies (U.K) Ltd.
10, Prebendal Court, Oxford Road
Aylesbury, Buckinghamshire
HP19-3EY United Kingdom
44 [0] 1296/30.44.99 Phone
44 [0] 1296/39.24.32 Fax

DISCLAIMER

FAIRCHILD SEMICONDUCTOR RESERVES THE RIGHT TO MAKE CHANGES WITHOUT FURTHER NOTICE TO ANY PRODUCTS HEREIN TO IMPROVE RELIABILITY, FUNCTION OR DESIGN. FAIRCHILD DOES NOT ASSUME ANY LIABILITY ARISING OUT OF THE APPLICATION OR USE OF ANY PRODUCT OR CIRCUIT DESCRIBED HEREIN; NEITHER DOES IT CONVEY ANY LICENSE UNDER ITS PATENT RIGHTS, NOR THE RIGHTS OF OTHERS.

LIFE SUPPORT POLICY

FAIRCHILD'S PRODUCTS ARE NOT AUTHORIZED FOR USE AS CRITICAL COMPONENTS IN LIFE SUPPORT DEVICES OR SYSTEMS WITHOUT THE EXPRESS WRITTEN APPROVAL OF THE PRESIDENT OF FAIRCHILD SEMICONDUCTOR CORPORATION. As used herein:

1. Life support devices or systems are devices or systems which, (a) are intended for surgical implant into the body, or (b) support or sustain life, and (c) whose failure to perform when properly used in accordance with instructions for use provided in the labeling, can be reasonably expected to result in a significant injury of the user.
2. A critical component in any component of a life support device or system whose failure to perform can be reasonably expected to cause the failure of the life support device or system, or to affect its safety or effectiveness.