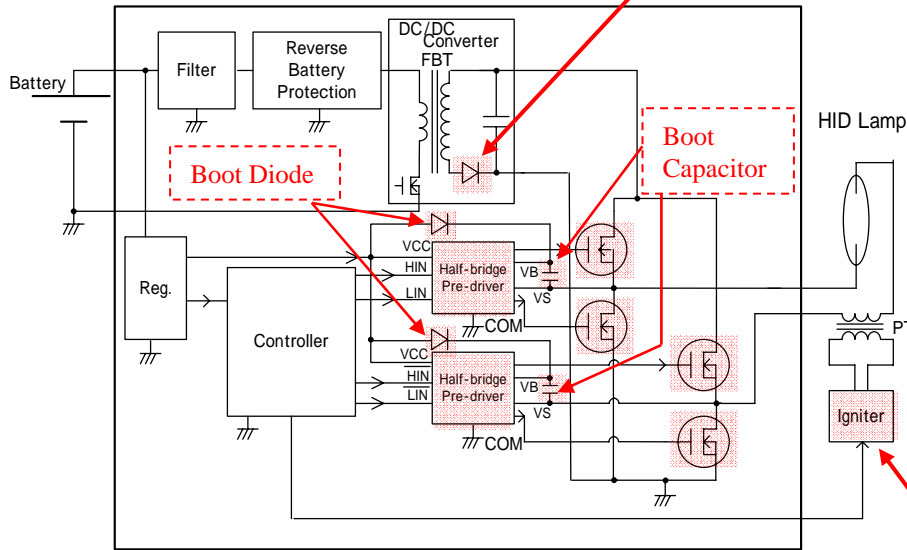


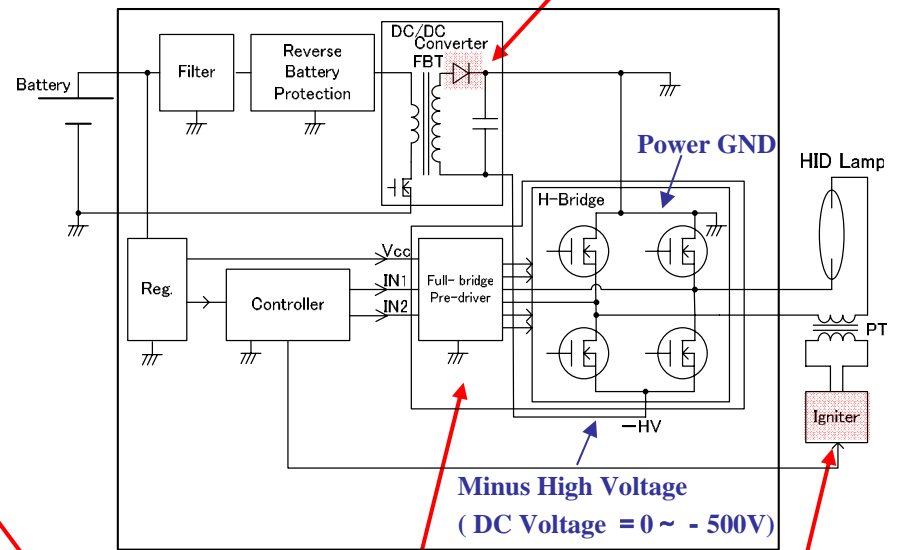
HID Lamp System

Fast Recovery Diode
FML,FMX Series

Plus Drive



Minus Drive



HID Lamp Driver IC
SLA2400 Series

Thyristor for HID Lamp Igniter
TFC-__D Series

	Pre-Driver IC	MOS FET	Boot Diode	Boot Capacitor
Plus Drive	1 (Full-bridge) or 2 (Half-bridge)	4	2	2
Minus Drive	1	4	Unnecessary	Unnecessary