

6

5

4

3

2

1

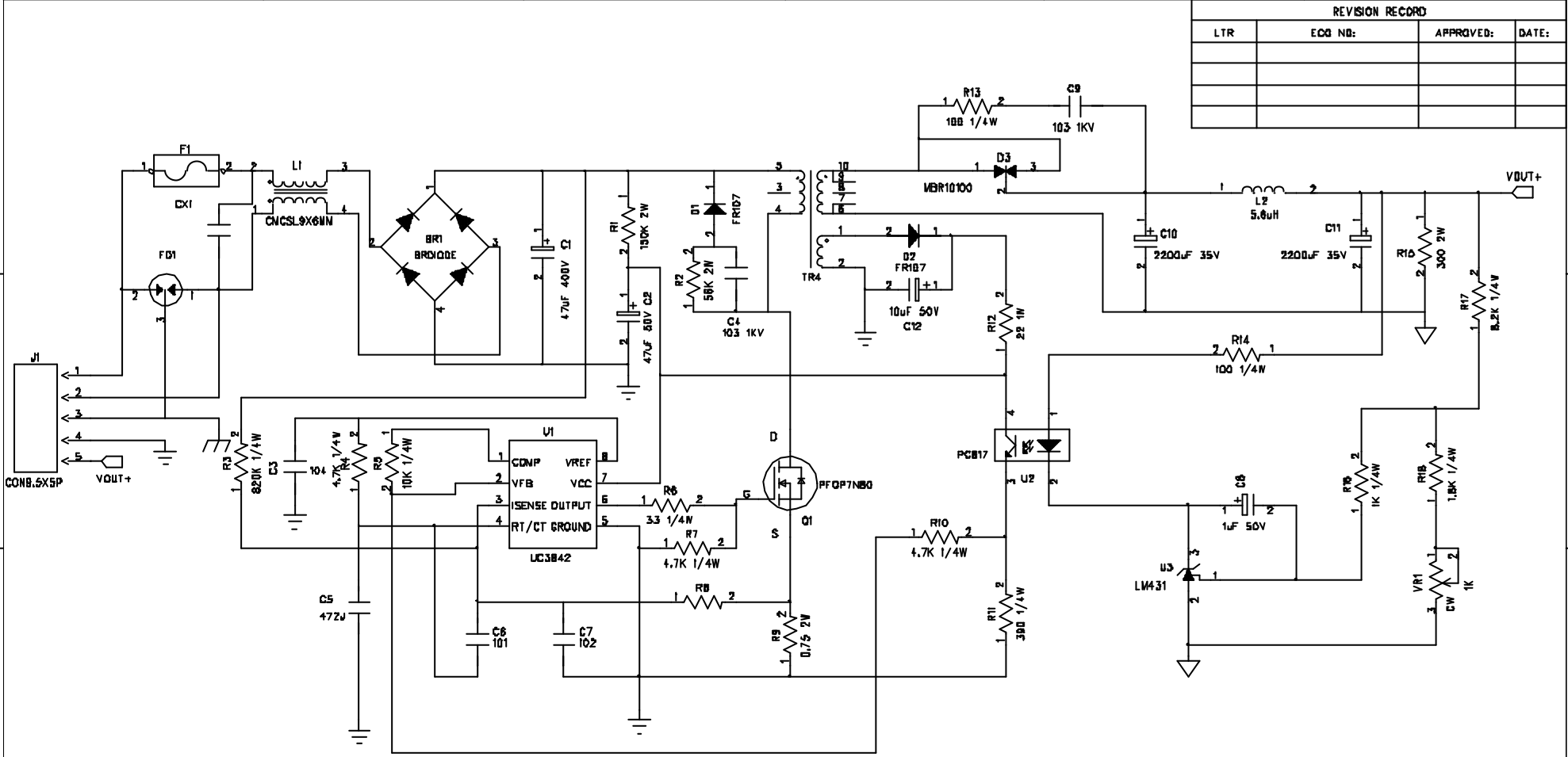
REVISION RECORD			
LTR	ECO NO:	APPROVED:	DATE:

D

C

B

A

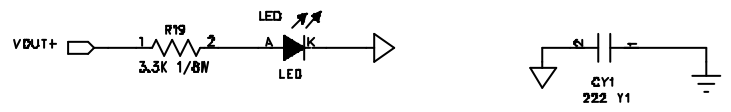


D

C

B

A



COMPANY:			
TITLE:			
CODE:	SIZE:	DRAWING NO:	REV:
SCALE:		SHEET: OF	

DRAWN:	DATED:
CHECKED:	DATED:
QUALITY CONTROL:	DATED:
RELEASED:	DATED: