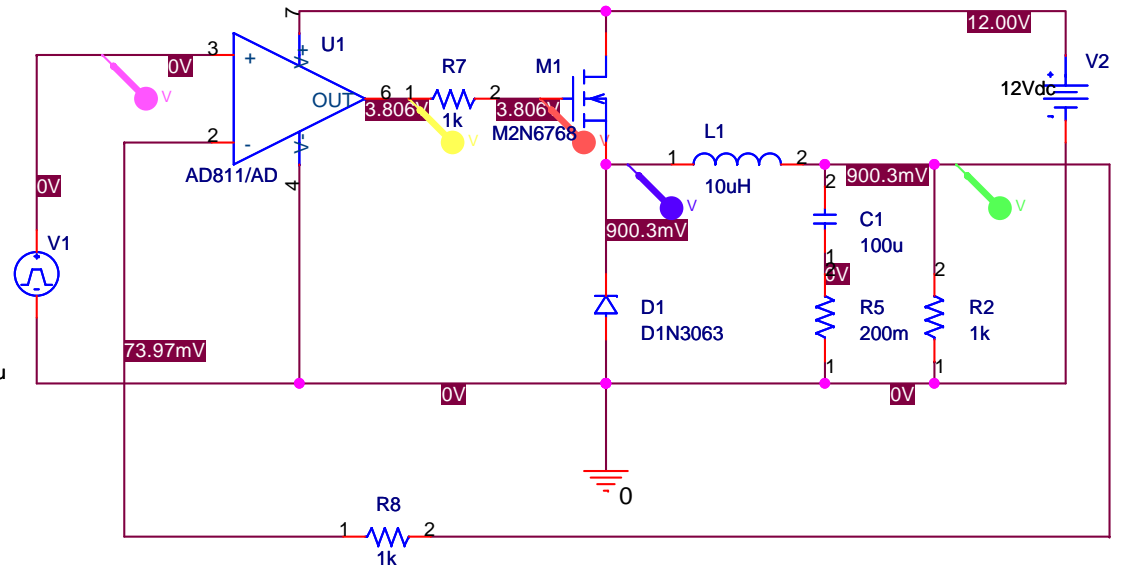


V1 = 0
 V2 = 5
 TD = 0
 TR = 2u
 TF = 2u
 PW = 0.1u
 PER = 4.2u



Title		
<Title>		
Size	Document Number	Rev
A	<Doc>	<RevCode>
Date:	Friday, May 23, 2008	Sheet 1 of 1