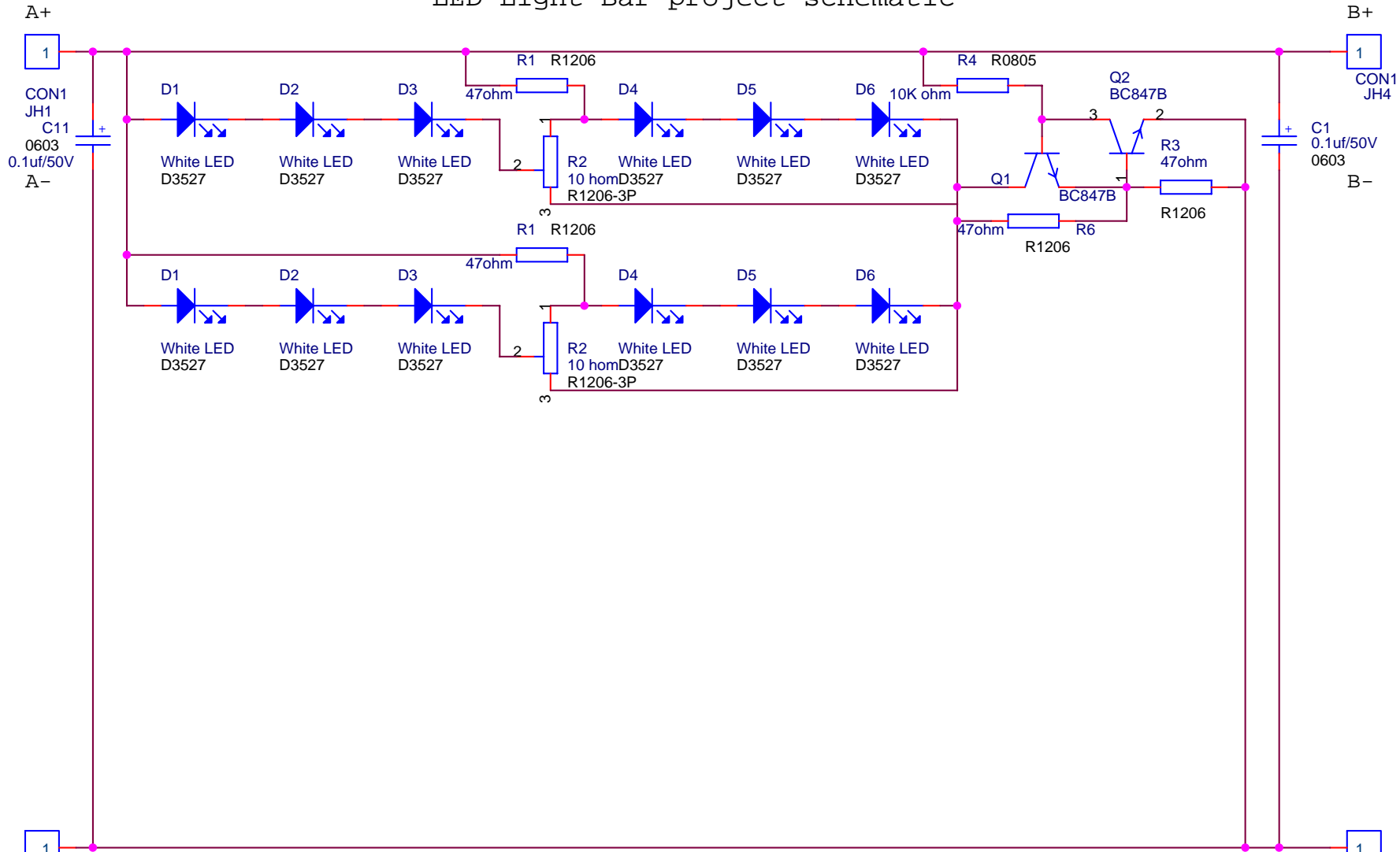
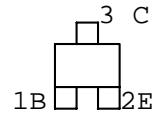


# LED Light Bar project schematic



CON1 JH2  
Power input must  
Constant Voltage  
12V@20mA or  
24V@40mA

R2A,R2B 0 Ohm option resistor



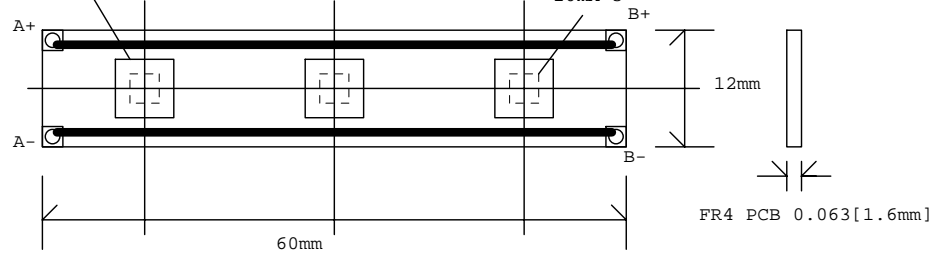
CON1 JH3  
Power input must  
Constant Voltage  
12V@20mA or  
24V@40mA

Title <Title>		
Size A	Document Number <Doc>	Rev V1.0
Date: Tuesday, May 06, 2008	Sheet 1	of 1

PN : SMD LED 5\*5\*2mm,White  
led 60mA\*3

JTP353TWDN OR HT-T3A8BP

PN : SMD LED  
3528\*1.8mm,White led  
20mA\*3



1. 注意雙面零件, D5050 or D3527  
SMD layout.top and bottom  
並零件方式.
2. 零件中心 Top Bottom  
相同.(它只會選擇上其中一面零件).
- 3.layout  
每個點的銅泊面積儘量平均大小.
4. A+,A-,B+,B- PTH 1.1mm  
on 2mm\*2mm PAD

Title		
TACHAI INDUSTRIAL CO.,LTD.		
Size	Document Number	Rev
B	6cm Strips LED lighting	1.0
Date:	Tuesday, May 06, 2008	Sheet 1 of 1