

6

5

4

3

2

1

D

D

C

C

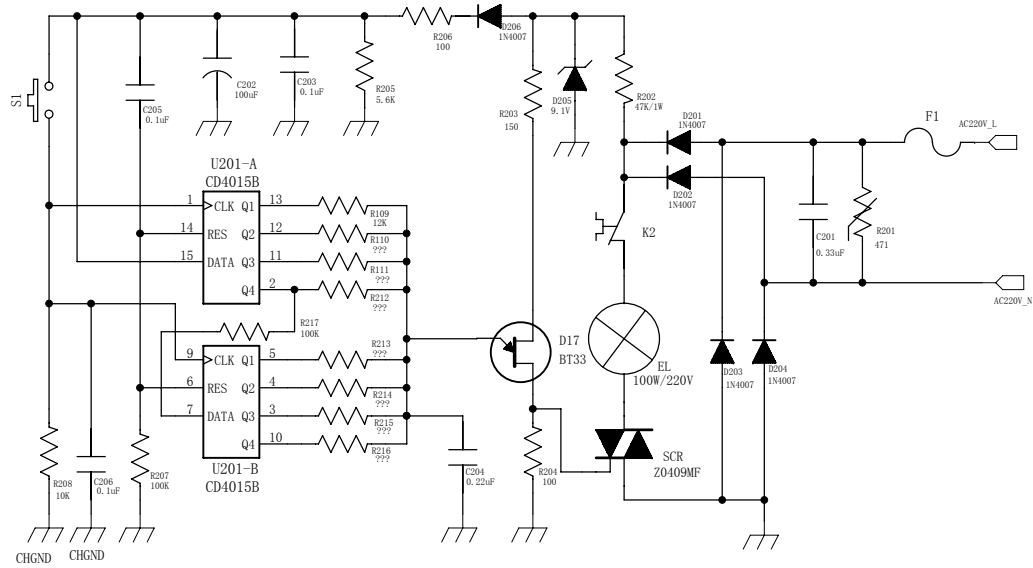
B

B

A

A

REVISION RECORD			
LTR	ECO NO:	APPROVED:	DATE:



COMPANY: <Company Name>			
TITLE: <Title>			
DRAWN: <Drawn By>	DATED: <Drawn Date>	CODE: <Code>	
CHECKED: <Checked By>	DATED: <Checked Date>	SIZE: A3	DRAWING NO: <Drawing Number>
QUALITY CONTROL: <QC By>	DATED: <QC Date>	REV: <Revision>	
RELEASED: <Released By>	DATED: <Release Date>	SCALE: <Scale>	SHEET: 1 OF 1