

Limits and methods of measurement of radio disturbance characteristics of electrical lighting and similar equipment

The European Standard EN 55015:2006 has the status of a
British Standard

ICS 33.100.10

National foreword

This British Standard was published by BSI. It is the UK implementation of EN 55015:2006. It is identical with CISPR 15:2005. It supersedes BS EN 55015:2001, which will be withdrawn on 1 September 2009.

The UK participation in its preparation was entrusted by Technical Committee GEL/210, EMC — Policy committee, to Subcommittee GEL/210/11, EMC product standards.

A list of organizations represented on GEL/210/11 can be obtained on request to its secretary.

This publication does not purport to include all the necessary provisions of a contract. Users are responsible for its correct application.

Compliance with a British Standard cannot confer immunity from legal obligations.

This British Standard was published under the authority of the Standards Policy and Strategy Committee on 31 January 2007

© BSI 2007

ISBN 978-0-580-50001-5

Amendments issued since publication

Amd. No.	Date	Comments

English version

**Limits and methods of measurement of radio disturbance characteristics
of electrical lighting and similar equipment
(CISPR 15:2005)**

Limites et méthodes de mesure des
perturbations radioélectriques produites
par les appareils électriques d'éclairage
et les appareils analogues
(CISPR 15:2005)

Grenzwerte und Messverfahren
für Funkstörungen von elektrischen
Beleuchtungseinrichtungen
und ähnlichen Elektrogeräten
(CISPR 15:2005)

This European Standard was approved by CENELEC on 2006-09-12. CENELEC members are bound to comply with the CEN/CENELEC Internal Regulations which stipulate the conditions for giving this European Standard the status of a national standard without any alteration.

Up-to-date lists and bibliographical references concerning such national standards may be obtained on application to the Central Secretariat or to any CENELEC member.

This European Standard exists in three official versions (English, French, German). A version in any other language made by translation under the responsibility of a CENELEC member into its own language and notified to the Central Secretariat has the same status as the official versions.

CENELEC members are the national electrotechnical committees of Austria, Belgium, Cyprus, the Czech Republic, Denmark, Estonia, Finland, France, Germany, Greece, Hungary, Iceland, Ireland, Italy, Latvia, Lithuania, Luxembourg, Malta, the Netherlands, Norway, Poland, Portugal, Romania, Slovakia, Slovenia, Spain, Sweden, Switzerland and the United Kingdom.

CENELEC

European Committee for Electrotechnical Standardization
Comité Européen de Normalisation Electrotechnique
Europäisches Komitee für Elektrotechnische Normung

Central Secretariat: rue de Stassart 35, B - 1050 Brussels

Foreword

The text of document CISPR/F/402/FDIS, future edition 7 of CISPR 15, prepared by CISPR SC F, Interference relating to household appliances, tools, lighting equipment and similar apparatus, was submitted to the IEC-CENELEC parallel vote and was approved by CENELEC as EN 55015 on 2006-09-12.

This European Standard supersedes EN 55015:2000 + A1:2001 + A2:2002.

The following dates were fixed:

- latest date by which the EN has to be implemented
at national level by publication of an identical
national standard or by endorsement (dop) 2007-06-01
- latest date by which the national standards conflicting
with the EN have to be withdrawn (dow) 2009-09-01

This European Standard has been prepared under a mandate given to CENELEC by the European Commission and the European Free Trade Association and covers essential requirements of EC Directives 89/336/EEC and 2004/108/EC. See Annex ZZ.

Annexes ZA and ZZ have been added by CENELEC.

Endorsement notice

The text of the International Standard CISPR 15:2005 was approved by CENELEC as a European Standard without any modification.

CONTENTS

1	Scope	6
2	Normative references.....	7
3	Terms and definitions	7
4	Limits	8
4.1	Frequency ranges.....	8
4.2	Insertion loss.....	8
4.3	Disturbance voltages	8
4.4	Radiated electromagnetic disturbances.....	9
5	Application of the limits.....	10
5.1	General	10
5.2	Indoor luminaires.....	10
5.3	Independent auxiliaries exclusively for use with lighting equipment.....	11
5.4	Self-ballasted lamps	13
5.5	Outdoor lighting appliances.....	13
5.6	UV and IR radiation appliances.....	14
5.7	Transport lighting.....	15
5.8	Neon and other advertising signs	16
5.9	Self-contained emergency lighting luminaires.....	16
5.10	Replaceable starters for fluorescent lamps.....	16
6	Operating conditions for lighting equipment.....	17
6.1	General	17
6.2	Lighting equipment	17
6.3	Supply voltage and frequency	17
6.4	Ambient conditions	17
6.5	Lamps	17
6.6	Replaceable starters.....	18
7	Method of insertion loss measurement.....	18
7.1	Circuits for the measurement of insertion loss.....	18
7.2	Measuring arrangement and procedure	19
7.3	Luminaire	19
7.4	Measurement procedure	20
8	Method of measurement of disturbance voltages.....	21
8.1	Measuring arrangement and procedure	21
8.2	Indoor and outdoor luminaires.....	22
8.3	Independent light regulating devices	23
8.4	Independent transformers and convertors for incandescent lamps.....	23
8.5	Independent ballasts for fluorescent and other discharge lamps	24
8.6	Self-ballasted lamps and semi-luminaires	24
8.7	UV and IR radiation appliances.....	25
8.8	Self-contained emergency lighting luminaires.....	25
8.9	Independent starters and igniters for fluorescent and other discharge lamps	25

9	Method of measurement of radiated electromagnetic disturbances	25
9.1	Measuring arrangement and procedure	25
9.2	Indoor and outdoor luminaires	26
9.3	Independent convertors for incandescent lamps	26
9.4	Independent ballasts for fluorescent and other discharge lamps	26
9.5	Self-ballasted lamps and semi-luminaires	26
9.6	UV and IR radiation appliances	26
9.7	Self-contained emergency lighting luminaires	26
10	Interpretation of CISPR radio disturbance limits	26
10.1	Significance of a CISPR limit	26
10.2	Tests	27
10.3	Statistical method of evaluation	27
10.4	Banning of sales	28
	Annex A (normative) Electrical and constructional requirements for the low-capacitance balance-to-unbalance transformer	41
	Annex ZA (normative) Normative references to international publications with their corresponding European publications	46
	Annex ZZ (informative) Coverage of Essential Requirements of EC Directives	47
	Figure 1 – Insertion loss measurement on linear and U-type fluorescent lamp luminaires	29
	Figure 2 – Insertion loss measurement on circular fluorescent lamp luminaires	30
	Figure 3 – Insertion loss measurement on luminaires for single-capped fluorescent lamps with integrated starter	31
	Figure 4a – Configuration of linear and U-type dummy lamps	32
	Figure 4b – Configuration of circular dummy lamps	33
	Figure 4c – Dummy lamp for 15 mm fluorescent lamps	34
	Figure 4d – Dummy lamp for 15 mm single-capped fluorescent lamps	35
	Figure 4e – Dummy lamp for single-capped fluorescent lamps, linear-shaped, twin tube, tube diameter 12 mm	36
	Figure 4f – Dummy lamp for single-capped fluorescent lamps, linear-shaped, quad tube, diameter 12 mm	37
	Figure 5 – Measuring arrangements for an independent light regulating device, transformer or convertor	38
	Figure 6 – Measuring arrangements for measuring a luminaire (Figure 6a), an independent ballast (Figure 6b) and a self-ballasted lamp (Figure 6c)	39
	Figure 7 – Conical metal housing for self-ballasted fluorescent lamps	40
	Figure A.1 – Isolation test configuration	42
	Figure A.2a – Balance-to-unbalance transformer circuit	43
	Figure A.2b – Details of transformer core construction	44
	Figure A.2c – Details of transformer core construction	44
	Figure A.2d – Construction of transformer	45

Table 1 – Minimum values of insertion loss.....	8
Table 2a – Disturbance voltage limits at mains terminals	8
Table 2b – Disturbance voltage limits at load terminals	9
Table 2c – Disturbance voltage limits at control terminals	9
Table 3 – Radiated electromagnetic disturbance limits.....	10
Table 4 – Sample size and corresponding <i>k</i> factor in a non-central t-distribution	27

LIMITS AND METHODS OF MEASUREMENT OF RADIO DISTURBANCE CHARACTERISTICS OF ELECTRICAL LIGHTING AND SIMILAR EQUIPMENT

1 Scope

This standard applies to the emission (radiated and conducted) of radiofrequency disturbances from:

- all lighting equipment with a primary function of generating and/or distributing light intended for illumination purposes, and intended either for connection to the low voltage electricity supply or for battery operation;
- the lighting part of multi-function equipment where one of the primary functions of this is illumination;
- independent auxiliaries exclusively for use with lighting equipment;
- UV and IR radiation equipment;
- neon advertising signs;
- street/flood lighting intended for outdoor use;
- transport lighting (installed in buses and trains).

Excluded from the scope of this standard are:

- lighting equipment operating in the ISM frequency bands (as defined in Resolution 63 (1979) of the ITU Radio Regulation);
- lighting equipment for aircraft and airports;
- apparatus for which the electromagnetic compatibility requirements in the radio-frequency range are explicitly formulated in other IEC or CISPR standards.

NOTE Examples are:

- built-in lighting devices in other equipment, for example scale illumination or neon devices;
- photocopiers;
- slide projectors;
- lighting equipment for road vehicles.

The frequency range covered is 9 kHz to 400 GHz.

Multi-function equipment which is subjected simultaneously to different clauses of this standard and/or other standards shall meet the provisions of each clause/standard with the relevant functions in operation.

The limits in this standard have been determined on a probabilistic basis to keep the suppression of disturbances within economically reasonable limits while still achieving an adequate level of radio protection and electromagnetic compatibility. In exceptional cases, additional provisions may be required.

2 Normative references

The following referenced documents are indispensable for the application of this document. For dated references, only the edition cited applies. For undated references, the latest edition of the referenced document (including any amendments) applies.

IEC 60050(161):1990, *International Electrotechnical Vocabulary (IEV) – Chapter 161: Electromagnetic compatibility*

IEC 60155:1993, *Glow-starters for fluorescent lamps*

IEC 60598-1:2003, *Luminaires – Part 1: General requirements and tests*

CISPR 11:2003, *Industrial, scientific and medical (ISM) radio-frequency equipment – Electromagnetic disturbance characteristics – Limits and methods of measurement*

CISPR 16-1-1:2003, *Specification for radio disturbance and immunity measuring apparatus and methods – Part 1-1: Radio disturbance and immunity measuring apparatus – Measuring apparatus*

CISPR 16-1-2:2003, *Specification for radio disturbance and immunity measuring apparatus and methods – Part 1-2: Radio disturbance and immunity measuring apparatus – Ancillary equipment – Conducted disturbances*

CISPR 16-1-4:2003, *Specification for radio disturbance and immunity measuring apparatus and methods – Part 1-4: Radio disturbance and immunity measuring apparatus – Ancillary equipment – Radiated disturbances*

CISPR 16-2-1:2003, *Specification for radio disturbance and immunity measuring apparatus and methods – Part 2-1: Methods of measurement of disturbances and immunity – Conducted disturbance measurements*

CISPR 22:2005, *Information technology equipment – Radio disturbance characteristics – Limits and methods of measurement*

3 Terms and definitions

For the purposes of this document, the terms and definitions contained in IEC 60050(161) apply.

Continuous disturbance may be either broadband, for instance caused by the switching operations or by unstable gas-discharges in the lamp electrode region, or may be narrowband, for instance caused by electronic control devices operating at dedicated frequencies.

NOTE Instead of the concept of "broadband" and "narrowband", a distinction is made in this standard between two related kinds of disturbance, defined by the type of the applied detector. For this purpose, limits have been defined with respect to the measurement with the quasi-peak detector and with the average detector. By using this approach, a combination of broadband and narrowband disturbances can also be assessed.

4 Limits

4.1 Frequency ranges

In 4.2, 4.3 and 4.4, limits are given as a function of frequency range. No measurements need to be performed at frequencies where no limits are specified.

NOTE The World Administrative Radiocommunications Conference (WARC) has in 1979 reduced the lower frequency limit in region 1 to 148,5 kHz; for applications falling within the scope of this standard, tests at 150 kHz are considered adequate, since 148,5 kHz falls within the receiver bandwidth.

4.2 Insertion loss

The minimum values of the insertion loss for the frequency range 150 kHz to 1 605 kHz are given in Table 1.

Table 1 – Minimum values of insertion loss

Frequency range kHz	Minimum values dB
150 to 160	28
160 to 1 400	28 to 20 ^a
1 400 to 1 605	20
^a Decreasing linearly with the logarithm of frequency.	

4.3 Disturbance voltages

4.3.1 Mains terminals

The limits of the mains terminal disturbance voltages for the frequency range 9 kHz to 30 MHz are given in Table 2a.

Table 2a – Disturbance voltage limits at mains terminals

Frequency range	Limits dB(μV) ^a	
	Quasi-peak	Average
9 kHz to 50 kHz	110	–
50 kHz to 150 kHz	90 to 80 ^b	–
150 kHz to 0,5 MHz	66 to 56 ^b	56 to 46 ^b
0,5 MHz to 5,0 MHz	56 ^c	46 ^c
5 MHz to 30 MHz	60	50
^a At the transition frequency, the lower limit applies.		
^b The limit decreases linearly with the logarithm of the frequency in the ranges 50 kHz to 150 kHz and 150 kHz to 0,5 MHz.		
^c For electrodeless lamps and luminaires, the limit in the frequency range of 2,51 MHz to 3,0 MHz is 73 dB(μV) quasi-peak and 63 dB(μV) average.		
NOTE In Japan, the limits in the frequency range 9 kHz to 150 kHz do not apply.		

4.3.2 Load terminals

The limits of the load terminal disturbance voltage for the frequency range 150 kHz to 30 MHz are given in Table 2b.

Table 2b – Disturbance voltage limits at load terminals

Frequency range MHz	Limits dB(μV) ^a	
	Quasi-peak	Average
0,15 to 0,50	80	70
0,50 to 30	74	64

^a At the transition frequency, the lower limit applies.

4.3.3 Control terminals

The limits of the control terminal disturbance voltage for the frequency range 150 kHz to 30 MHz are given in Table 2c.

Table 2c – Disturbance voltage limits at control terminals

Frequency range MHz	Limits dB(μV)	
	Quasi-peak	Average
0,15 to 0,50	84 to 74	74 to 64
0,50 to 30	74	64

NOTE 1 The limits decrease linearly with the logarithm of the frequency in the range 0,15 MHz to 0,5 MHz.

NOTE 2 The voltage disturbance limits are derived for use with an impedance stabilization network (ISN) which presents a common mode (asymmetric mode) impedance of 150 Ω to the control terminal.

4.4 Radiated electromagnetic disturbances

The quasi-peak limits of the magnetic component of the radiated disturbance field strength in the frequency range 9 kHz to 30 MHz, measured as a current in 2 m, 3 m or 4 m loop antennas around the lighting equipment, are given in Table 3.

The limits for the 2 m loop diameter apply to equipment not exceeding a length of 1,6 m, those for the 3 m loop diameter for equipment having a length in between 1,6 m and 2,6 m and those for the 4 m loop diameter for equipment having a length in between 2,6 m and 3,6 m.

Table 3 – Radiated electromagnetic disturbance limits

Frequency range MHz	Limits for loop diameter dB(μ A) ^a		
	2 m	3 m	4 m
9 kHz to 70 kHz	88	81	75
70 kHz to 150 kHz	88 to 58 ^b	81 to 51 ^b	75 to 45 ^b
150 kHz to 3,0 MHz	58 to 22 ^b	51 to 15 ^b	45 to 9 ^b
3,0 MHz to 30 MHz	22	15 to 16 ^c	9 to 12 ^c
^a At the transition frequency, the lower limit applies.			
^b Decreasing linearly with the logarithm of the frequency. For electrodeless lamps and luminaires, the limit in the frequency range of 2,2 MHz to 3,0 MHz is 58 dB(μ A) for 2 m, 51 dB(μ A) for 3 m and 45 dB(μ A) for 4 m loop diameter.			
^c Increasing linearly with the logarithm of the frequency.			
NOTE In Japan, the limits for frequencies 9 kHz to 150 kHz do not apply.			

5 Application of the limits

5.1 General

Applications of the limits for the various kinds of lighting equipment as mentioned in the scope of this standard are given in 5.2 to 5.10.

No emission requirements apply to lamps other than self-ballasted lamps nor to auxiliaries incorporated in luminaires, in self-ballasted lamps or in semi-luminaires. (See, however, note 2 of 5.3.1 in this respect.)

The disturbance caused by manual or automatic operation of a switch (external or included in equipment) to connect or disconnect the mains shall be disregarded. This includes manual on/off switches or, for example, switches activated by sensors or ripple control receivers. However, switches which will be repeatedly operated (e.g. such as those of advertising signs) are not included in this exception.

5.2 Indoor luminaires

5.2.1 General

The following conditions apply to all kinds of indoor luminaires irrespective of the environment in which they are used.

5.2.2 Incandescent lamp luminaires

Incandescent lamp luminaires where the lamps are a.c. mains or d.c. operated, or which do not incorporate a light regulating device or electronic switch, are not expected to produce electromagnetic disturbances. Therefore, they are deemed to fulfil all relevant requirements of this standard without further testing.

NOTE Where, in this standard, the term "incandescent lamp" is used, all types of incandescent lamps including halogen lamps are meant.

5.2.3 Fluorescent lamp luminaires

The minimum values of insertion loss of Table 1 shall apply where a fluorescent lamp luminaire is a starter switch operated type and designed for one of the following lamp types:

- linear fluorescent lamps with a nominal diameter of 15 mm, 25 mm or 38 mm;
- circular fluorescent lamps with a nominal diameter of 28 mm or 32 mm;
- U-type fluorescent lamps with a nominal diameter of 15 mm, 25 mm or 38 mm;
- single-capped fluorescent lamps, without integrated starter and with a nominal diameter of 15 mm;
- single-capped fluorescent lamps, linear shaped, twin and quad tube, with integrated starter and having a nominal tube diameter of 12 mm.

5.2.4 Other luminaires

Indoor luminaires other than described in 5.2.2 or 5.2.3 shall comply with the mains terminal voltage limits given in Table 2a.

Where the luminaire supplies the lamp(s) with a current having an operation frequency in excess of 100 Hz, it shall comply with the radiated disturbance limits given in Table 3.

Where the light output of the luminaire is regulated by an external device with separate control lines, the disturbance voltage at the control terminals shall comply with the requirements of 4.3.3.

5.3 Independent auxiliaries exclusively for use with lighting equipment

5.3.1 General

Independent auxiliaries are electric or electronic devices designed to be applied external to a luminaire and to be used to control the current or voltage of a discharge or incandescent lamp. Examples are dimmers, transformers and convertors for lamps, ballasts for discharge lamps (including fluorescent lamps) and semi-luminaires for compact fluorescent lamps and for incandescent lamps.

NOTE 1 The requirements described in this subclause (5.3) are for the sole purpose of checking the electromagnetic emission characteristics of the auxiliary itself. Due to the variety of wiring circuits, it is impossible to describe requirements for the installation. In this respect, it is recommended that the manufacturer give guidelines for the proper use of the auxiliary.

NOTE 2 The requirements of this subclause (5.3) may be used for testing auxiliaries intended to be built into a luminaire. However, there is no obligation for such testing. Moreover, even when the auxiliary complies with the requirements of this subclause, the luminaire will always be tested.

5.3.2 Independent light regulating devices

5.3.2.1 Types of devices

There are two types of light regulating devices: those like dimmers which directly regulate the lamps, and those which have a remote control function to regulate the light output via a ballast or convertor.

5.3.2.2 Independent directly operating light regulating devices

Where such devices incorporate semiconductors, they shall comply with the terminal voltage limits given in Tables 2a and 2b, otherwise no limits apply.

When several light regulating devices are contained in one product or enclosure, and when each individual device consists of an entirely self-contained regulating circuit (including all suppression components) and operates independently of the others (i.e. does not control, either by design or fortuitously, any load controlled by another individual regulator), then each device is tested separately.

5.3.2.3 Independent remote control devices

Where such devices generate a d.c. or low-frequency (<500 Hz) control signal, no limits apply. For radiofrequency or infrared operating devices, this standard does not apply. Other independent remote control devices shall comply with the requirements of 4.3.1 and 4.3.3.

5.3.3 Independent transformers and convertors for incandescent lamps

5.3.3.1 General

Transformers for incandescent lamps change only the voltage and do not convert the mains frequency, whereas convertors also convert the frequency. Both kinds of devices can incorporate means for regulating the light output of the lamps.

5.3.3.2 Independent transformers

For voltage transformers for incandescent lamps which do not regulate the voltage by means of active electronic components, the condition of 5.2.2 applies. Other independent transformers for incandescent lamps shall comply with the terminal voltage limits given in Tables 2a and 2b.

5.3.3.3 Independent convertors

Independent electronic convertors for incandescent lamps shall either:

- a) comply with the terminal voltage limits given in Tables 2a and 2b; or,
- b) where the convertor has a non-detachable load supply cable, or where the manufacturer gives strict installation instructions which define the position, type and maximum length of cable(s) to be connected to the lamp(s), then the convertor shall comply with the terminal voltage limits given in Table 2a and with the radiated disturbance limits given in Table 3, under these conditions.

5.3.4 Independent ballasts for fluorescent and other discharge lamps

5.3.4.1 Independent ballasts designed for a type of fluorescent lamp as mentioned in 5.2.3 and operated with starter shall comply with the minimum values of insertion loss given in Table 1.

5.3.4.2 Other independent ballasts shall comply with the mains terminal voltage limits given in Table 2a.

Where the ballast supplies the lamp with a current having a frequency in excess of 100 Hz, it shall comply with the radiated disturbance limits given in Table 3.

Where the light is regulated by an external device with separate control lines, the disturbance voltage at the control terminals shall comply with the requirements of 4.3.3.

5.3.5 Semi-luminaires

Semi-luminaires for compact fluorescent lamps and for incandescent lamps, sometimes called adaptors, are devices equipped, on the one side, with an Edison screw or bayonet cap to allow mounting in a standard incandescent lampholder and, on the other side, with a lampholder to allow the insertion of a replaceable light source.

Semi-luminaires shall comply with the terminal voltage limits given in Table 2a.

Where the light source is operated at a frequency exceeding 100 Hz, the unit shall comply with the radiated disturbance limits given in Table 3.

5.3.6 Independent starters and igniters

Independent starters and igniters for fluorescent and other discharge lamps are tested in a circuit as described in 8.9. They shall comply with the terminal voltage limits given in Table 2a.

5.4 Self-ballasted lamps

For self-ballasted lamps, the ballasting and starting arrangements are encapsulated with the lamp into one single unit. These lamps are fitted with Edison screw or bayonet caps and can be inserted directly into an appropriate holder.

Self-ballasted lamps shall comply with the terminal voltage limits given in Table 2a.

Where the light source is operated at a frequency exceeding 100 Hz, the unit shall comply with the radiated disturbance limits given in Table 3.

5.5 Outdoor lighting appliances

5.5.1 General

For the purpose of this standard, the term "outdoor lighting" is used for the general lighting of public areas such as streets, walkways, cycle paths, motorways, tunnels, car parks, service stations and outdoor sports and recreational areas, for security and floodlighting of buildings and the like. Moreover, requirements described in this subclause (5.5) apply to the (outdoor) lighting appliances on private grounds, industrial estates and the like.

However, such lighting equipment may be subject to specific emission requirements which are not covered by this standard, for example airport lighting.

This subclause (5.5) does not apply to neon and other advertising signs.

5.5.2 Mounting system

Generally, an outdoor lighting appliance is built up of a support and one or more luminaires. The support could be:

- a pipe (bracket) or the like;
- a mast (column) arm;
- a post top;
- a span or suspension wires;
- a wall or ceiling.

Unless otherwise stated, the emission requirements described in this subclause (5.5) apply to the luminaire (including the lamp) and no requirements apply to the luminaire support.

5.5.3 Integrated switching devices

Disturbances caused by the operation of integrated switching devices such as ripple control receivers shall be disregarded.

5.5.4 Incandescent lamp luminaires

The condition of 5.2.2 applies.

5.5.5 Fluorescent lamp luminaires

Luminaires using a type of fluorescent lamp as mentioned in 5.2.3 and operating with a starter shall comply with the minimum values of insertion loss given in Table 1.

5.5.6 Other luminaires

Outdoor luminaires other than described in 5.5.4 or 5.5.5 shall comply with the mains terminal voltage limits given in Table 2a.

Where the lamp(s) in the luminaire is (are) supplied with a current having a frequency in excess of 100 Hz, the electronic ballast shall be incorporated in the luminaire. The luminaire shall comply with the radiated disturbance limits given in Table 3.

Where the light output of the luminaire is regulated by an external device with separate control lines, the disturbance voltage at the control terminals shall comply with the requirements of 4.3.3.

5.6 UV and IR radiation appliances

5.6.1 General

Ultraviolet and infrared radiation appliances are appliances used for medical and cosmetic care, for industrial purposes and for instant zone heating.

This subclause (5.6) applies to appliances which are mainly used in the residential environment. For other appliances, CISPR 11 applies.

5.6.2 IR radiation appliances

For appliances which only contain mains frequency operated incandescent radiation sources (infrared emitters) and which do not include any active electronic components, the condition of 5.2.2 applies.

5.6.3 UV fluorescent lamp appliances

UV appliances using UV lamps identical to those types of fluorescent lamp mentioned in 5.2.3 and operating with a replaceable starter shall comply with the minimum values of insertion loss given in Table 1.

5.6.4 Other UV and/or IR appliances

UV and IR appliances other than described in 5.6.2 or 5.6.3 shall comply with the mains terminal voltage limits given in Table 2a.

Appliances supplying the radiation source(s) with a current having a (modulating) frequency in excess of 100 Hz shall comply with the radiated disturbance limits given in Table 3.

Where the radiation of the appliance is regulated by an external device with separate control lines, the disturbance voltage at the control terminals shall comply with the requirements of 4.3.3.

5.7 Transport lighting

5.7.1 General

Light sources are used in transport vehicles for:

- external lighting and signalling purposes;
- lighting of on-board instruments;
- lighting of interior cabins and rooms.

This subclause (5.7) sets requirements for lighting equipment used on board ships and rail vehicles. Lighting equipment used in/on aircraft is subject to special conditions and falls outside the scope of this standard.

NOTE Requirements for lighting equipment used in road vehicles are dealt with by CISPR subcommittee D.

5.7.2 External lighting and signalling

Where devices for lighting or signalling are equipped with incandescent lamps, they are deemed to fulfil all relevant requirements of this standard without further testing. If gas-discharge lamps are used, the lamp and its ballast shall be mounted in one unit, which shall comply with the terminal voltage limits given in Table 2a and the radiated disturbance limits given in Table 3.

5.7.3 Lighting of on-board instruments

Lighting of on-board instruments is considered to be subject to the requirements for the instruments.

5.7.4 Lighting of interior cabins and rooms

Equipment for the interior lighting of ships and passenger rail vehicles is considered as indoor lighting equipment and the relevant requirements of 5.2 apply.

5.8 Neon and other advertising signs

Limits and method of measurement are under consideration.

5.9 Self-contained emergency lighting luminaires

5.9.1 General

Luminaires, designed for the purpose of providing emergency lighting in the event of disruption of the mains supply shall be measured in both the mains on mode and emergency mode (mains off) of operation, as detailed in 5.9.2 and 5.9.3.

- Mains on mode: the state of a self-contained emergency luminaire which is ready to operate while the public network supply is on. In the case of a supply failure, the luminaire automatically changes over to the emergency mode.
- Emergency mode: the state of a self-contained emergency luminaire which provides lighting when energized by its internal power source, the public network supply having failed (mains off).

NOTE The limit and the measurement method of the field strength for the flashing type emergency lighting luminaires utilizing xenon lamps are under consideration.

5.9.2 Measurement in the mains on mode, i.e. operating condition prior to the disruption of the mains supply

The luminaire shall comply with the mains terminal disturbance voltage limits given in Table 2a. Where the luminaire supplies the lamp(s) with a current having an operation frequency in excess of 100 Hz, it shall comply with the radiated disturbance limits given in Table 3. Where the light output of the luminaire is regulated by an external device with separate control lines, the disturbance voltage at the control terminals shall comply with the requirements of 4.3.3.

5.9.3 Measurement in emergency mode, i.e. operating condition after disruption of the mains supply

Luminaires which supply the lamp(s) with a current having an operation frequency in excess of 100 Hz while in the emergency mode shall comply with the disturbance voltage limits at mains terminals given in Table 2a and the radiated electromagnetic disturbance limits given in Table 3.

5.10 Replaceable starters for fluorescent lamps

Replaceable starters shall either:

- incorporate a capacitor having a value between 0,005 μF and 0,02 μF and which is connected parallel to the contact pins of the starter;
- or comply with the following insertion loss test:
 - the starter is tested in a luminaire according to the instructions of 7.1.4. The manufacturer shall specify the type of the luminaire and associated fitting which shall be used during the test. Over the whole frequency range given in Table 1, the insertion loss

of the luminaire when measured with the starter to be tested shall be equal to or higher than the insertion loss of the luminaire when tested with a starter fitted with a capacitor having a value of $0,005 \mu\text{F} \pm 5 \%$;

- or comply with the following terminal voltage test:

the starter is tested in a relevant single lamp luminaire in the highest power circuit for which the starter is designed. The manufacturer shall specify the type of luminaire and associated circuit(s) which are suitable for use with the starter. The measurement instructions of 8.2 apply. The terminal voltage limits of Table 2a shall not be exceeded.

6 Operating conditions for lighting equipment

6.1 General

When measurements of disturbances or insertion loss of lighting equipment are being made, the equipment shall be operated under the conditions specified in 6.2 to 6.6.

The special conditions given in Clauses 7, 8 and 9 for the different methods of measurement are to be observed additionally, as appropriate.

6.2 Lighting equipment

The lighting equipment is to be tested as delivered by the manufacturer under normal operating conditions, for example, as given in IEC 60598 for luminaires.

6.3 Supply voltage and frequency

The supply voltage shall be within $\pm 2 \%$ of the rated voltage. In the case of a voltage range, measurement shall be carried out within $\pm 2 \%$ of each of the nominal supply voltages of that range. The nominal frequency of the mains supply shall be as rated for the equipment.

6.4 Ambient conditions

Measurements shall be carried out in normal laboratory conditions. The ambient temperature shall be within the range $15 \text{ }^\circ\text{C}$ to $25 \text{ }^\circ\text{C}$.

6.5 Lamps

6.5.1 Type of lamp used

Terminal disturbance voltage and radiated field measurements shall be carried out with the lamps for which the lighting equipment is designed. Lamps of the highest wattage rating allowed for the lighting equipment shall be used.

6.5.2 Ageing time of lamps

Measurements shall be carried out with lamps which have been in operation for at least:

- 2 h for incandescent lamps;
- 100 h for fluorescent and other discharge lamps.

6.5.3 Stabilization time of lamps

Prior to a measurement, the lamp(s) shall be operated until stabilization has been reached. Unless otherwise stated in this standard or specified by the manufacturer, the following stabilization times shall be observed:

- 5 min for incandescent lamps;
- 15 min for fluorescent lamps;
- 30 min for other discharge lamps.

6.6 Replaceable starters

When IEC 60155 glow-switch starters are used, the capacitor is replaced by a capacitor of $0,005 \mu\text{F} \pm 5 \%$. The starter shall be retained in its socket, unless otherwise specified. Care shall be taken that it maintains its characteristics over the whole frequency range covered by the measurements.

If the manufacturer fits a capacitor external to the starter, the luminaire is measured as manufactured including the starter capacitor.

7 Method of insertion loss measurement

7.1 Circuits for the measurement of insertion loss

7.1.1 For luminaires as described in 5.2.3 and in 5.5.5, the insertion loss is measured as shown in:

- Figure 1 for luminaires for linear and U-type fluorescent lamps;
- Figure 2 for luminaires for circular fluorescent lamps;
- Figure 3 for luminaires for single-capped fluorescent lamps having integrated starters.

Dummy lamps are specified in 7.2.4.

In the case of luminaires for fluorescent lamps having a nominal diameter of 25 mm, but which are interchangeable with lamps having a nominal diameter of 38 mm, the insertion loss measurement shall be made with a dummy lamp with a nominal diameter of 38 mm, unless the manufacturer's instructions prescribe the exclusive use of a 25 mm diameter lamp.

7.1.2 For independent ballasts as described in 5.3.4, the insertion loss shall be measured in the circuit relevant to the ballast to be tested. The ballast shall be mounted together with its dummy lamp and starter on a piece of insulating material, $12 \text{ mm} \pm 2 \text{ mm}$ thick, as shown in Figure 6b. This arrangement shall be considered as a luminaire and the relevant conditions of this Clause (7) apply.

7.1.3 UV radiation appliances as described in 5.6.3 are considered as being luminaires and the relevant conditions of this Clause (7) apply.

7.1.4 Replaceable starters when tested in the insertion loss test as described in 5.10 shall be measured in a single lamp luminaire for which the starter is designed. The luminaire shall have a rated voltage equal to the mains voltage or falling within the mains voltage range as indicated on the starter. The same applies to the wattage. The insertion loss shall be measured twice:

- a) with the starter under test;
- b) with the starter replaced by a glow-switch starter having a capacitor of $0,005 \mu\text{F} \pm 5 \%$ connected over the contact pins.

7.2 Measuring arrangement and procedure

The measuring arrangement consists of the following parts.

7.2.1 Radiofrequency generator

This is a sine-wave generator, having an output impedance of 50Ω and suitable for the frequency range covered by this measurement.

7.2.2 Balance-to-unbalance transformer

A low-capacitance balance-to-unbalance transformer is used to obtain a symmetrical voltage from the radiofrequency generator. Electrical and constructional requirements are given in Annex A.

7.2.3 Measuring receiver and network

A measuring receiver as specified in CISPR 16-1-1 and a $50 \Omega/50 \mu\text{H} + 5 \Omega$ (or $50 \Omega/50 \mu\text{H}$) artificial mains network (V-network) as specified in CISPR 16-1-2 shall be used.

7.2.4 Dummy lamps

The dummy lamps which are used in the circuits of Figures 1, 2, and 3 simulate the r.f. properties of the fluorescent lamps and are shown in Figures 4a, 4b, 4c, 4d, 4e and 4f.

When mounting the dummy lamp in the luminaire, it shall remain parallel to the metalwork of the luminaire. Any support necessary to achieve this shall not noticeably alter the capacitance between the dummy lamp and luminaire.

The length of the dummy lamp shall be equal to the length of the fluorescent lamp for which the luminaire is designed. The length of the metal tube shall be as indicated on the relevant dummy lamp data sheet of this standard.

7.2.5 Measuring arrangements

The length of the unscreened connection leads between the transformer and the input terminals of the dummy lamp shall be as short as possible, not exceeding 0,1 m.

The length of the coaxial connection leads between the luminaire and the measuring network shall not exceed 0,5 m.

In order to avoid parasitic currents, there shall be only one earth connection at the measuring network. All earth terminals are to be connected to this point.

7.3 Luminaire

With the exception of the possible modification as set out in 6.6 and the replacement of the lamps, the luminaire is measured as manufactured.

Where the luminaire incorporates more than one lamp, each lamp is replaced in turn by the dummy lamp. The insertion loss of multi-lamp luminaires in which the lamps are powered in parallel shall be measured for each lamp and the minimum value of the insertion loss measured shall be used for comparison with the relevant limit.

When measuring series-operated lamp luminaires, both lamps shall be replaced by dummy lamps. The input terminals of one dummy lamp shall be connected to the balance-to-unbalance transformer and the input terminals of the remaining dummy lamp are terminated with 150 Ω (high frequency type).

If the luminaire has a frame of insulating material, the back of the luminaire shall be placed on a metal sheet, which in turn shall be connected to the reference earth of the measuring network.

7.4 Measurement procedure

7.4.1 The insertion loss is obtained by comparing the voltage U_1 , obtained by connecting the output terminals of the transformer to the terminals of the measuring network, with the voltage U_2 obtained when the transformer is connected to the measuring network through the luminaire to be measured.

7.4.2 Voltage U_1

The output voltage U_1 (between 2 mV and 1 V) of the transformer is measured by means of the measuring receiver. For this purpose, a direct connection is made between the transformer and the input terminals of the measuring network. The voltage U_1 is measured between either of the two input terminals of the measuring network and earth and shall have substantially the same value, i.e. independent of the arrangement of the measuring network. See Annex A for the checking of the balance-to-unbalance transformer properties and the saturation effects.

7.4.3 Voltage U_2

The voltage U_2 measured with the luminaire connected between the transformer and measuring network may have different values and therefore may depend on the two positions of the switch of the measuring network. The higher voltage reading is recorded as U_2 .

7.4.4 The insertion loss is given by $20 \lg \frac{U_1}{U_2}$ dB.

NOTE The value of the insertion loss as obtained by this method of measurement gives good correlation between the dummy lamp and real lamps when used in the same luminaire.

7.4.5 Where it is known that the insertion loss measured according to Figures 1 or 2, or for series-operated fluorescent lamps according to 7.3, is a minimum for a given orientation of the dummy lamp(s), measurements may be made for this orientation only (e.g. for a luminaire with a single ballast and with the dummy lamp(s) inserted so that the relevant input terminal is directly connected to the neutral supply terminal of the luminaire). In cases where there is any doubt on this point, measurements shall be made for all possible orientations of the dummy lamp(s).

8 Method of measurement of disturbance voltages

8.1 Measuring arrangement and procedure

8.1.1 Mains terminal voltage measurement

The disturbance voltage shall be measured at the mains terminals of the lighting equipment by means of the arrangement described in Figures 5 and 6 for the relevant type of equipment.

The output terminals of the artificial mains network (V-network) and the terminals a-b shall be positioned $0,8 \text{ m} \pm 20 \%$ apart and shall be connected by the two power conductors of a flexible three-core cable of 0,8 m length.

8.1.2 Load terminal voltage measurement

A voltage probe shall be used when measuring on the load terminals (see Figure 5). It contains a resistor having a resistance value of at least $1\,500 \Omega$ in series with a capacitor with a reactive value negligible to the resistance (in the range 150 kHz to 30 MHz) (see 5.2 of CISPR 16-1-2).

The measuring results shall be corrected according to the voltage division between the probe and the measuring set. For this correction, only the resistive parts of the impedance shall be taken into account.

8.1.3 Control terminal voltage measurement

Measurement at control terminals shall be carried out by means of an impedance stabilization network as described in CISPR 22. The ISN shall be bounded to ground (see 8.2). Measurement shall be carried out in a stable mode of operation, which means with a stable light output.

NOTE As the common mode disturbance generated by the ballast are being measured, the control signals (in differential mode) are negligible for the lighting control lines in practice.

8.1.4 Light regulation

If the lighting equipment incorporates a light-regulating control or is controlled by an external device, the disturbance voltage shall be determined in the following way:

- For light regulating controls which directly modify the mains supply, those like dimmers, then the disturbance voltage at the mains, load and control terminals, if any, shall be measured according to the provisions of 8.1.4.1 and 8.1.4.2.
- For light regulating controls which regulate the light output via a ballast or convertor, then the disturbance voltage at the mains and control terminals, if any, shall be measured at the maximum and minimum light output levels.

8.1.4.1 At the mains terminals

An initial survey or scan of the complete frequency range 9 kHz to 30 MHz shall be made with full light output. In addition, at the following frequencies and at all frequencies at which there is a maximum disturbance found in the initial survey, the control setting shall be varied for maximum disturbance while maintaining the maximum load:

9 kHz, 50 kHz, 100 kHz, 160 kHz, 240 kHz, 550 kHz, 1 MHz, 1,4 MHz, 2 MHz, 3,5 MHz, 6 MHz, 10 MHz, 22 MHz, 30 MHz.

8.1.4.2 At the load and/or control terminals

An initial survey or scan of the complete frequency range 150 kHz to 30 MHz shall be made with full light output. In addition, at the following frequencies and at all frequencies at which there is a maximum disturbance found in the initial survey, the control setting shall be varied for maximum disturbance while maintaining the maximum load:

160 kHz, 240 kHz, 550 kHz, 1 MHz, 1,4 MHz, 2 MHz, 3,5 MHz, 6 MHz, 10 MHz, 22 MHz, 30 MHz.

8.1.5 Measurements with an average detector

If the limits for the measurement with the average detector are met when using a receiver with a quasi-peak detector, the test unit shall be deemed to meet both limits and the measurement with the average detector need not be carried out.

8.2 Indoor and outdoor luminaires

The measuring arrangement is given in Figure 6a.

When the luminaire incorporates more than one lamp, all lamps shall be operated simultaneously. Where it is possible for the user to insert lamps in different ways, measurements shall be made for all cases and the maximum value used for comparison with the relevant limit. In the case of luminaires for fluorescent lamps which are equipped with a replaceable starter, the same terminals are left connected to the starter in both possible measurement positions.

If the luminaire is provided with an earthing terminal, it shall be connected to the reference earth of the artificial V-network. This connection shall be made by means of the earth conductor contained in the power cable to the luminaire. Where this arrangement is not common practice, the earth connection shall be made by means of a lead, the same length as the power cable and running parallel to the power cable at a distance of not more than 0,1 m.

If the luminaire is provided with an earthing terminal, but the manufacturer states that it need not be earthed, it shall be measured twice: once with and once without the earth connection. In both cases, the luminaire shall comply with the requirements.

The luminaire shall be mounted at a distance of 0,4 m from a metal plate of dimensions at least 2 m × 2 m. The base of the luminaire shall be parallel to the plate and the plate shall be bonded to the reference earth of the artificial V-network by a low impedance connection (see CISPR 16-2-1).

If the measurement is made in a screened enclosure, the distance of 0,4 m may be referred to one of the walls of the enclosure. The luminaire shall be positioned so that its base is parallel to the reference wall and shall be at least 0,8 m from the outer surfaces of the enclosure.

For outdoor luminaires where the ballast is mounted outside the luminaire (in the column), the mains terminal disturbance voltage is measured at the mains input terminals of the ballast.

A luminaire designed for use in a floor-standing mode shall be tested in the following manner.

It shall be placed on a horizontal metal ground plane (the reference ground plane), but insulated from it by a non-metallic support of $0,1 \text{ m} \pm 25 \%$ in height. If the measurements are made in a screened enclosure, this distance shall be made in reference to the metal ground of the enclosure.

The boundaries of the luminaire shall be at least $0,4 \text{ m}$ distance from a grounded vertical conducting surface of at least $2 \times 2 \text{ m}$ in size. If the measurements are made in a screened enclosure, this distance shall be referred to the nearest wall of the enclosure.

The reference ground plane shall extend at least $0,5 \text{ m}$ beyond the boundaries of the luminaire and have minimum dimensions of $2 \times 2 \text{ m}$.

The artificial V-network shall be bonded with metal straps to the reference ground plane (see CISPR 16-2-1).

The reference ground plane shall be bonded with the vertical surface by a low impedance connection.

8.3 Independent light regulating devices

8.3.1 Directly operating devices

The regulating device shall be arranged as shown in Figure 5. The connecting lead length for load and control terminals, if any, shall be $0,5 \text{ m}$ to 1 m .

Unless otherwise specified by the manufacturer, the regulating device shall be measured with the maximum allowed load consisting of incandescent lamps as specified by the manufacturer.

The regulating device shall be first measured according to the provisions of 8.1.4.1. Secondly, the disturbance voltage at the load and control terminals, if any, shall be measured according to the provisions of 8.1.4.2.

8.3.2 Devices having a remote control function

Such devices shall be connected to a measuring circuit consisting of a resistor, capacitor and/or inductance as specified by the manufacturer. The measuring arrangement as shown in Figure 5 then applies. The terminal voltage at the supply and control terminals shall be measured according to the relevant provisions of 8.1.3.

8.4 Independent transformers and convertors for incandescent lamps

8.4.1 Independent transformers shall be measured using the relevant provisions of 8.3.1.

8.4.2 Independent electronic convertors having a non-detachable cable, or where the manufacturer gives strict installation instructions which indicate the position, type and maximum length of cable(s) leading to the lamp(s), shall be mounted on an insulating support together with a suitable lamp(s) of the maximum permitted power. The load cable(s) between the convertor and lamp(s) shall be chosen as follows.

- a) For a load cable ≤ 2 m, measurements shall be performed with a cable of $0,8 \text{ m} \pm 20 \%$, or with the smaller maximum length indicated by the manufacturer. The cable shall be a flexible two-core cable, of sufficient cross-section, and shall be arranged in a straight line.
- b) For load cables > 2 m, measurements shall be performed twice. Once with a load cable of $0,8 \text{ m} \pm 20 \%$ as in a) above and secondly with the maximum permissible cable length.
- c) Where the assembly instructions define a particular length and type of load cable(s), measurements shall be performed under these conditions.

The indication of the maximum permissible cable length shall be shown clearly in the installation instructions and/or on the label type of the convertor.

The configuration of convertor, lamp(s) and cable(s) shall be measured as a luminaire in accordance with 8.2.

8.5 Independent ballasts for fluorescent and other discharge lamps

The disturbance voltage shall be measured in the circuit relevant to the device to be tested as shown in Figure 6b. The device shall be mounted on an insulating support together with one or several suitable lamps.

Where a starter or ignitor is necessary to start the lamp, this shall be one suitable for the ballast and lamp. The instructions given in 6.6 apply.

There are no special mains wiring instructions. The wiring between the device under test and the lamp(s) shall be as short as possible to minimize its (their) influence on the measuring results.

The configuration of ballast, lamp(s) and cable(s) shall be measured as a luminaire in accordance with 8.2.

8.6 Self-ballasted lamps and semi-luminaires

Self-ballasted lamps shall be measured as manufactured. Semi-luminaires shall be measured with a suitable lamp having the maximum power allowed for it.

The circuit for the measurement of the disturbance voltage for self-ballasted lamps or semi-luminaires is shown in Figure 6c. Details of the conical metal housing to be used are given in Figure 7. The cable connecting the terminals at the conical housing to the V-network shall not exceed 0,8 m. The conical metal housing shall be connected to the earth terminal of the V-network. However, for self-ballasted lamps having an operating frequency within the range 2,51 MHz to 3,0 MHz, the following circuit shall be used. The lamp is fitted in an appropriate lampholder and placed 0,4 m above a metal plate of dimensions at least $2 \text{ m} \times 2 \text{ m}$ and shall be kept at least 0,8 m from any other earthed conducting surface. The artificial mains network (V-network) shall also be placed at a distance of at least 0,8 m from the lamp, and the lead between lampholder and V-network shall not exceed 1 m. The plate shall be connected to the reference earth of the V-network.

The disturbance voltage shall be measured at the supply terminals of the self-ballasted lamp or semi-luminaire.

8.7 UV and IR radiation appliances

These appliances are considered as being luminaires and the instructions of 8.1 and 8.2 apply with the following additions.

- In the case of appliances which contain both UV and IR radiation sources, the IR radiation source shall be disregarded if it is mains frequency operated.
- The appliance shall be measured with the lamps as installed. Before making a measurement, the lamps shall be stabilized during a period of 5 min for lamps of the high pressure type and 15 min for lamps of the low pressure type.

8.8 Self-contained emergency lighting luminaires

The instructions of 8.1 and 8.2 apply with the following additions:

- In the case of a self-contained emergency lighting luminaire, where, in the mains on mode, the light may be on or off while the batteries are being charged, measurements shall be performed with the lamp(s) energized.
- In the case of a self-contained luminaire which comprises more than one unit, such as a luminaire with separate control gear, the units shall be mounted on a piece of insulating material 12 mm \pm 2 mm thick, with the interconnecting cables of the maximum length specified by the manufacturer. This arrangement shall be measured as a luminaire.
- For luminaires incorporating more than one lamp, the luminaire shall be tested in the following manner. Only the lamps which are designed to be operated when the luminaire is in the mains on mode shall be energized when the luminaire is tested in that mode. Only the lamps which are designed to be operated when the luminaire is in the emergency mode shall be energized when the luminaire is tested in that mode.

8.9 Independent starters and igniters for fluorescent and other discharge lamps

Independent starters or igniters are measured in a relevant lamp-ballast circuit. The starter or igniter shall be mounted together with the suitable lamp and ballast on a piece of insulating material, 12 mm \pm 2 mm thick, which shall be placed on a metal plate of dimensions slightly larger than the piece of insulating material. The plate shall be connected to the reference earth of the V-network. If the device or ballast is provided with an earth terminal, it shall also be connected to that reference earth. The lamp is then started. After stabilisation time, the terminal voltage is measured.

9 Method of measurement of radiated electromagnetic disturbances

9.1 Measuring arrangement and procedure

9.1.1 Measuring equipment

The magnetic component shall be measured by means of a loop antenna as described in 4.7.1 of CISPR 16-1-4. The lighting equipment shall be placed in the centre of the antenna shown in Annex C of CISPR 16-1-4. The position is not critical.

9.1.2 Measurements in three directions

The induced current in the loop antenna is measured by means of a current probe (1 V/A) and the CISPR measuring receiver (or equivalent). By means of a coaxial switch, the three field directions can be measured in sequence. Each value shall fulfil the requirements given.

9.1.3 Wiring instructions

There are no special instructions for the supply wiring.

9.1.4 Light regulation

If the lighting equipment incorporates a light-regulating control or is controlled by an external device, the radiated electromagnetic disturbance shall be determined in the following way:

- For light regulating controls which regulate the light output via a ballast or convertor, measurements shall be performed at the maximum and minimum light output levels.

9.2 Indoor and outdoor luminaires

For luminaires incorporating more than one lamp, all the lamps are operated simultaneously. It is not necessary to make measurements with the lamps in different mounting positions.

9.3 Independent convertors for incandescent lamps

Independent convertors shall be mounted as described in 8.4.2 and the combination shall be measured as a luminaire.

9.4 Independent ballasts for fluorescent and other discharge lamps

Independent ballasts shall be mounted as described in 8.5 and the combination shall be measured as a luminaire.

9.5 Self-ballasted lamps and semi-luminaires

Self-ballasted lamps and semi-luminaires shall be measured when inserted in a relevant lampholder, mounted on a piece of insulating material.

9.6 UV and IR radiation appliances

For UV and IR radiation appliances, the relevant conditions given in 8.7 apply.

9.7 Self-contained emergency lighting luminaires

For self-contained emergency lighting luminaires, the relevant conditions given in 8.8 apply. During the emergency mode of operation, the following additions apply:

- for luminaires which incorporate an internal power source, measurements shall be conducted with the power source in a fully charged state.

10 Interpretation of CISPR radio disturbance limits

10.1 Significance of a CISPR limit

10.1.1 A CISPR limit is a limit which is recommended to national authorities for incorporation in national standards, relevant legal regulations and official specifications. It is also recommended that international organizations use these limits.

10.1.2 The significance of the limits for type-approved appliances shall be that, on a statistical basis, at least 80 % of the mass-produced appliances comply with the limits with at least 80 % confidence.

10.2 Tests

Test shall be made:

- a) either on a sample of appliances of the type, using the statistical method of evaluation in accordance with 10.3.1 and 10.3.2;
- b) or, for simplicity's sake, on one appliance only (but see 10.3.2).

Subsequent tests are necessary from time to time on appliances taken at random from production, especially in the case indicated in item b).

10.3 Statistical method of evaluation

10.3.1 If insertion loss measurements are performed, compliance is achieved when the following relationship is met:

$$\bar{x} - ks_n \geq L$$

where

\bar{x} is the arithmetic mean of the measured values of n items in the sample;

$$s_n^2 = \sum_n (x_n - \bar{x})^2 / (n - 1)$$

x_n is the value of an individual item;

L is the appropriate limit;

k is the factor derived from tables of the non-central t-distribution which ensures, with 80 % confidence, that 80 % or more of the production exceeds the minimum value of insertion loss; the value of k depends on the sample size n and is stated below.

The quantities x_n , \bar{x} , s_n and L are expressed logarithmically (dB).

Table 4 – Sample size and corresponding k factor in a non-central t-distribution

n	3	4	5	6	7	8	9	10	11	12
k	2,04	1,69	1,52	1,42	1,35	1,30	1,27	1,24	1,21	1,20

10.3.2 If limits of disturbance terminal voltages or limits of currents induced by radiation are considered, compliance is achieved when the following relationship is met:

$$\bar{x} + ks_n \leq L$$

where

\bar{x} , s_n and x_n have the same meaning as given in 10.3.1;

k is the factor derived from tables of the non-central t-distribution which ensures, with 80 % confidence, that 80 % or more of the production is below the limit; the value of k depends on the sample size n and is stated in 10.3.1.

The quantities x_n , \bar{x} , s_n and L are expressed logarithmically (dB(μ V) or dB(μ A)).

When measurements are made on lighting equipment where the lamp can be replaced, a minimum of five units are tested, each unit with its own lamp. If for reasons of simplicity one unit is tested, it shall be tested with five lamps and the limit shall be met for each lamp.

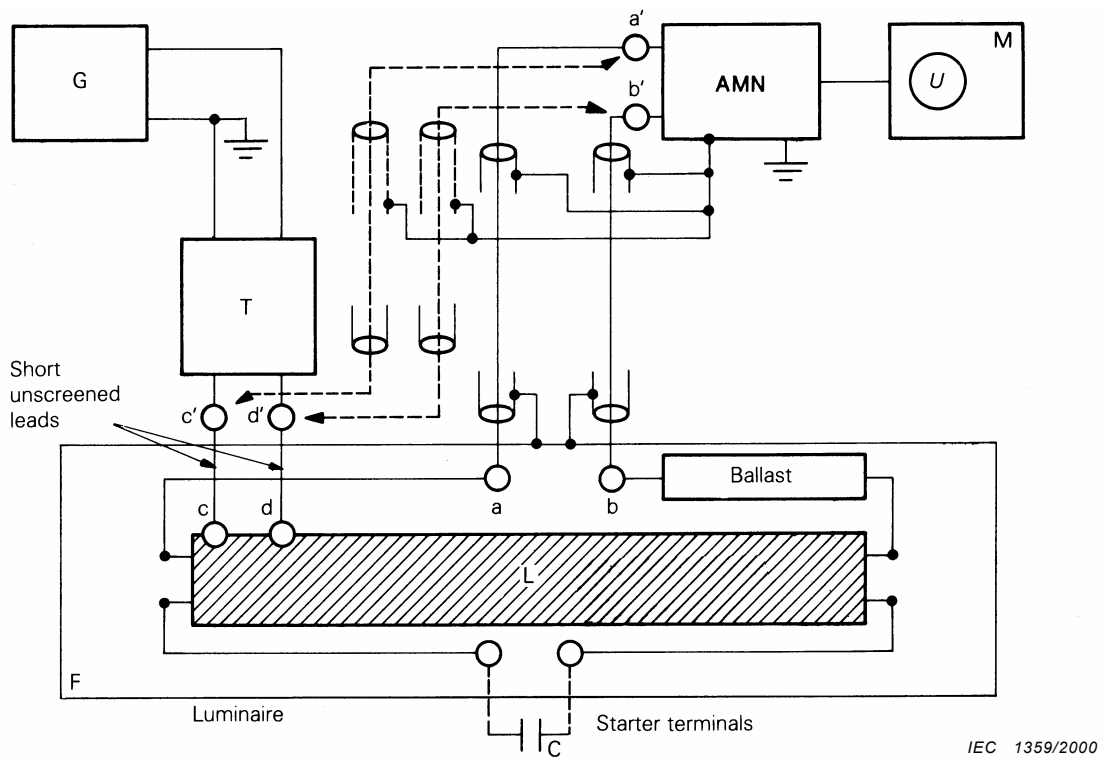
When measurements are made on lighting equipment where the lamp cannot be replaced, a minimum of five units are to be tested. (Because of the dispersion of the disturbance potential of the lamps, several items shall be considered.)

10.4 Banning of sales

The banning of sales or withdrawal of a type approval, as a result of a dispute, shall be considered only after tests have been carried out using the statistical method of evaluation.

Statistical assessment of compliance with limits shall be made as follows.

This test shall be performed on a sample of not less than five, and not more than twelve items of the type, but if, in exceptional circumstances, five items are not available, then a sample of four or three shall be used.

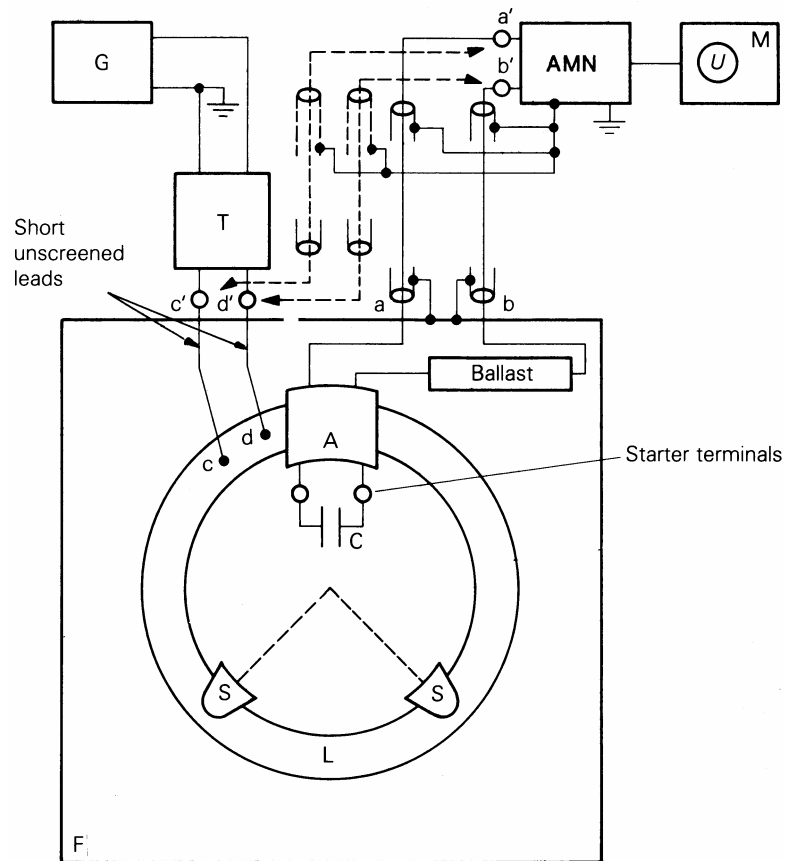


Key

- G = r.f. generator
- T = balance-to-unbalance transformer
- AMN = 50 Ω/50 μH + 5 Ω (or 50 Ω/50 μH) artificial mains network as specified in CISPR 16-1-2
- M = r.f. millivoltmeter or measuring receiver
- L = dummy lamp
- F = luminaire
- C = capacitor
- a – b = mains terminals
- a' – b' = input terminals of the measuring network AMN
- c – d = r.f. terminals of dummy lamp L
- c' – d' = output terminals of T
- a – a' and b – b' = connections by coaxial cables ($Z_0 = 75 \Omega$), with the respective ends of the screens connected to the reference earth of AMN and F not exceeding 50 cm in length
- c – c' and d – d' = connections of the transformer to the dummy lamp shall be made with unscreened leads not exceeding 100 mm in length

NOTE When measuring U-type lamp luminaires, the same circuit arrangement is used, but the linear dummy lamp should be replaced by the U-type dummy lamp.

Figure 1 – Insertion loss measurement on linear and U-type fluorescent lamp luminaires

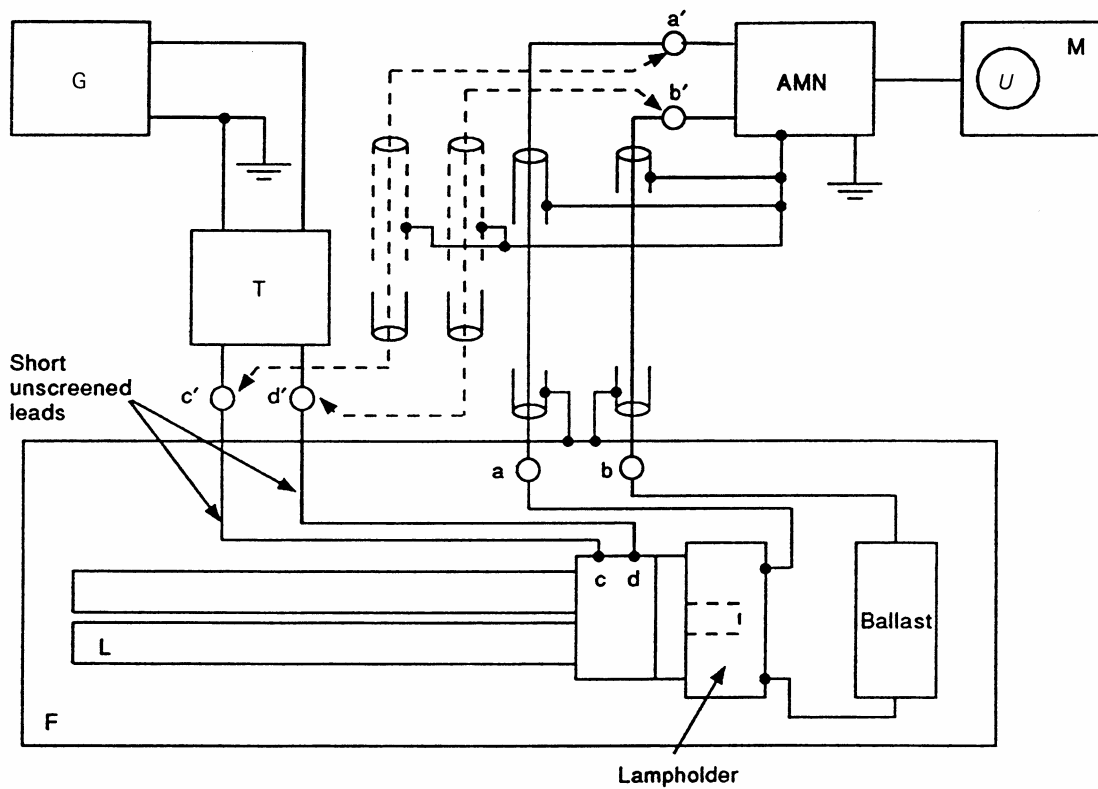


IEC 1360/2000

Key

- G = r.f. generator
- T = balance-to-unbalance transformer
- AMN = 50 Ω/50 μH + 5 Ω (or 50 Ω/50 μH) artificial mains network as specified in CISPR 16-1-2
- M = r.f. millivoltmeter or measuring receiver
- L = dummy lamp
- F = luminaire
- C = capacitor
- A = lampholder
- S = supports of insulating material
- a – b = mains terminals
- a' – b' = input terminals of the measuring network AMN
- c – d = r.f. terminals of dummy lamp L
- c' – d' = output terminals of T
- a – a' and b – b' = connections by coaxial cables ($Z_0 = 75 \Omega$), with the respective ends of the screens connected to the reference earth of AMN and F, not exceeding 50 cm in length
- c – c' and d – d' = connections of the transformer to the dummy lamp shall be made with unscreened leads not exceeding 100 mm in length

Figure 2 – Insertion loss measurement on circular fluorescent lamp luminaires

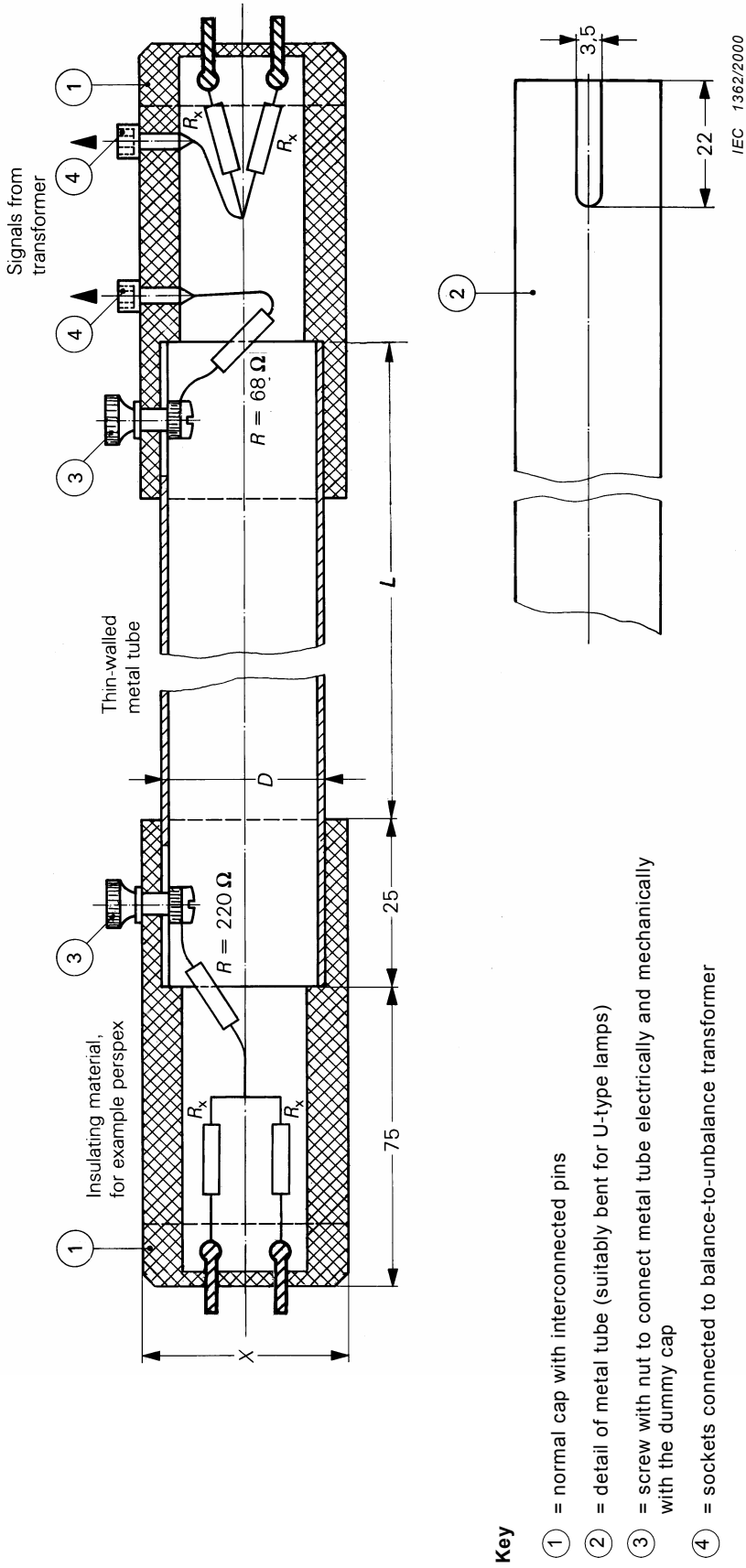


IEC 1361/2000

Key

- G = r.f. generator
- T = balance-to-unbalance transformer
- AMN = 50 Ω/50 μH + 5 Ω (or 50 Ω/50 μH) artificial mains network as specified in CISPR 16-1-2
- M = r.f. millivoltmeter or measuring receiver
- L = dummy lamp
- F = luminaire
- a – b = mains terminals
- a' – b' = input terminals of the measuring network AMN
- c – d = r.f. terminals of dummy lamp L
- c' – d' = output terminals of T
- a – a' and b – b' = connections by coaxial cables ($Z_0 = 75 \Omega$), with the respective ends of the screens connected to the reference earth of AMN and F, not exceeding 50 cm in length
- c – c' and d – d' = connections of the transformer to the dummy lamp shall be made with unscreened leads not exceeding 100 mm in length

Figure 3 – Insertion loss measurement on luminaires for single-capped fluorescent lamps with integrated starter



Dimensions in millimetres

Length of real fluorescent lamp minus 0,15 m	L	
	Nominal diameter of fluorescent lamp (mm)	25
Diameter D of metal tube (mm)	20 ± 0,5	
Diameter X of normal cap (mm)	4	

NOTE Tolerances in dimensions: ±1 in the last decimal, tolerances in resistances: ±5 %, unless otherwise specified. The value of resistance R_x is 4,8 Ω.

Figure 4a – Configuration of linear and U-type dummy lamps

Key

- ① = normal cap with interconnected pins
- ② = detail of metal tube (suitably bent for U-type lamps)
- ③ = screw with nut to connect metal tube electrically and mechanically with the dummy cap
- ④ = sockets connected to balance-to-unbalance transformer

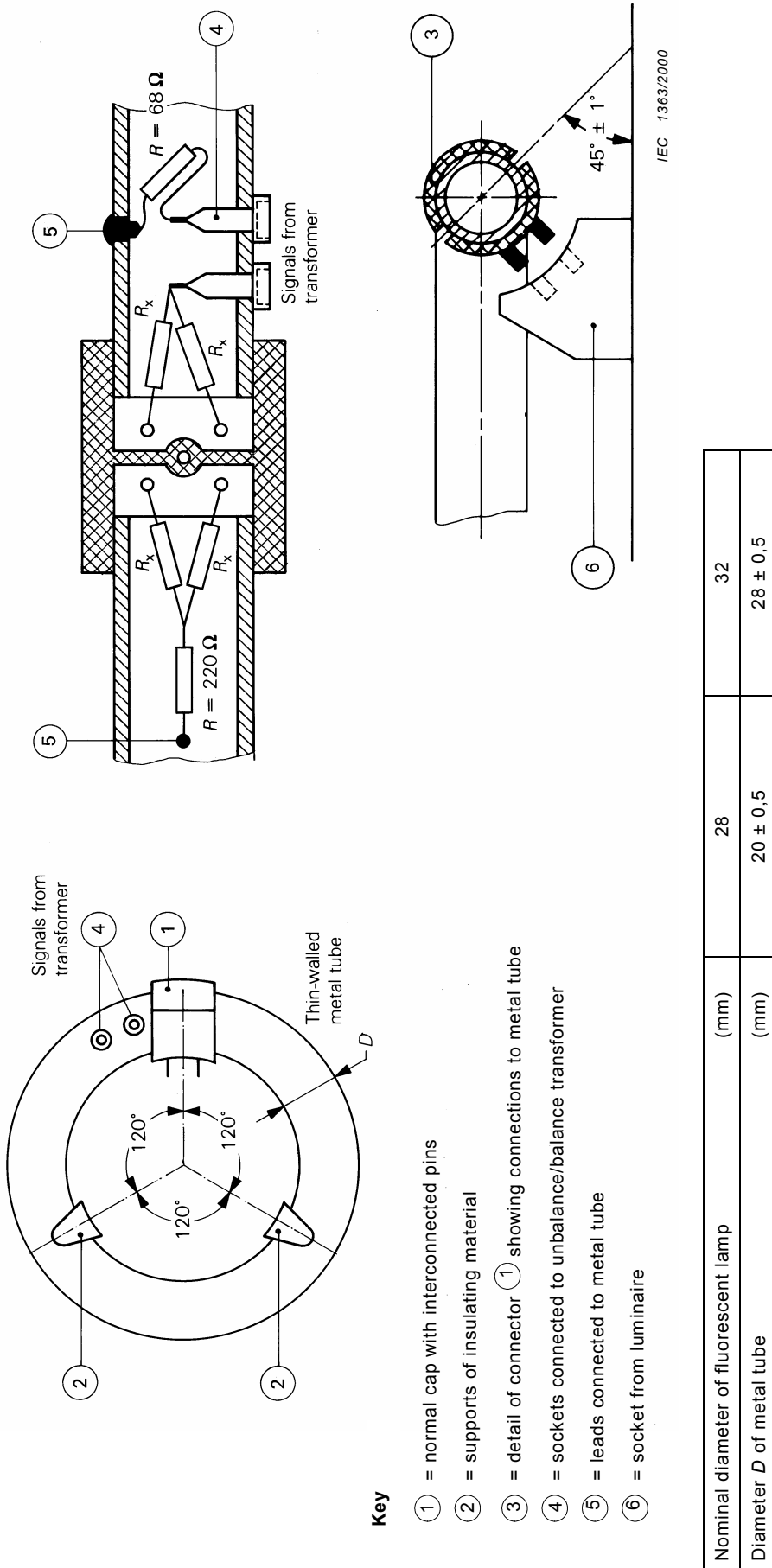
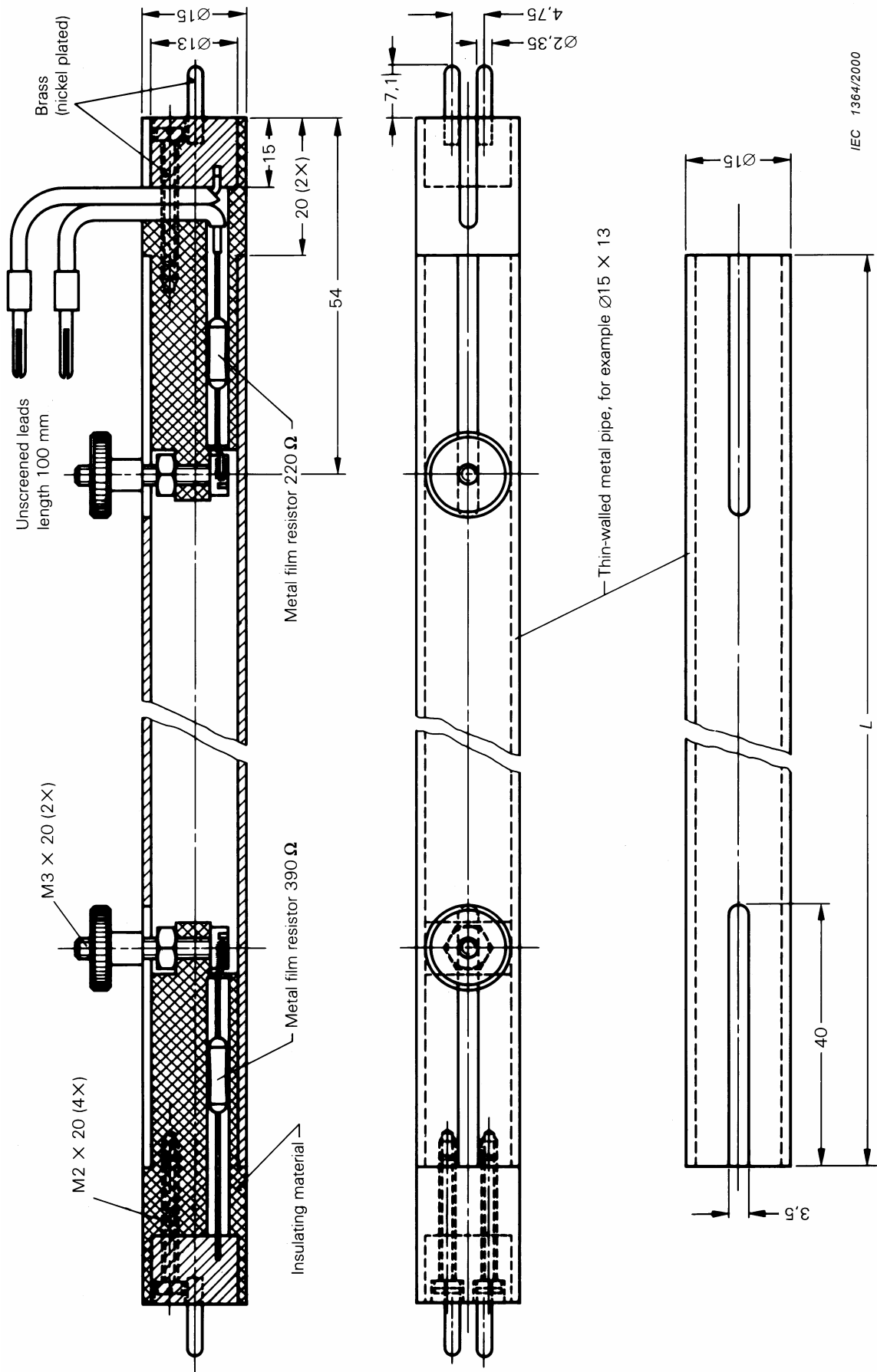


Figure 4b – Configuration of circular dummy lamps



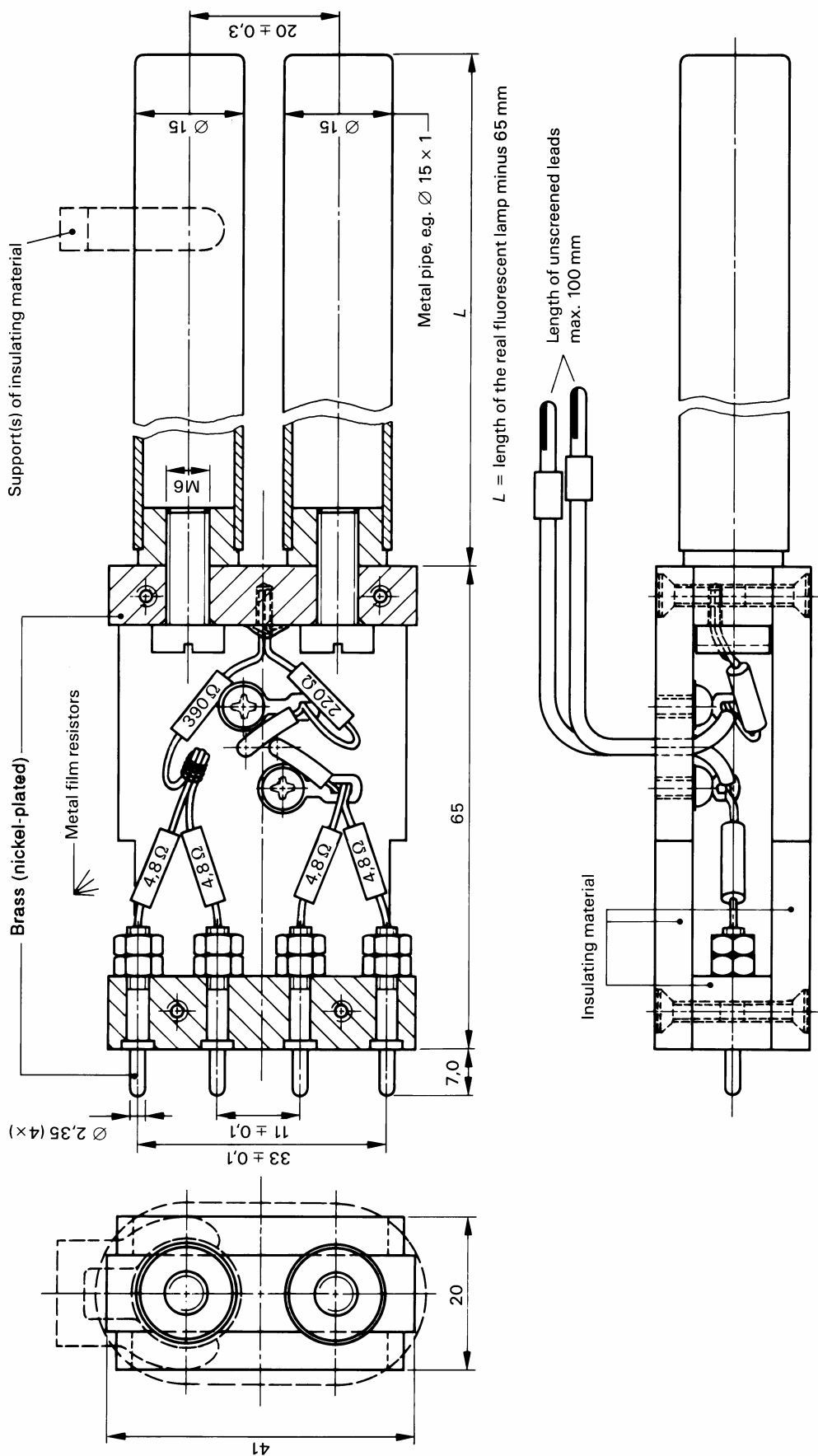
IEC 1364/2000

Dimensions in millimetres

NOTE Tolerances in dimensions: ±1 in the last decimal, tolerances in resistances: ±5 %, unless otherwise specified.

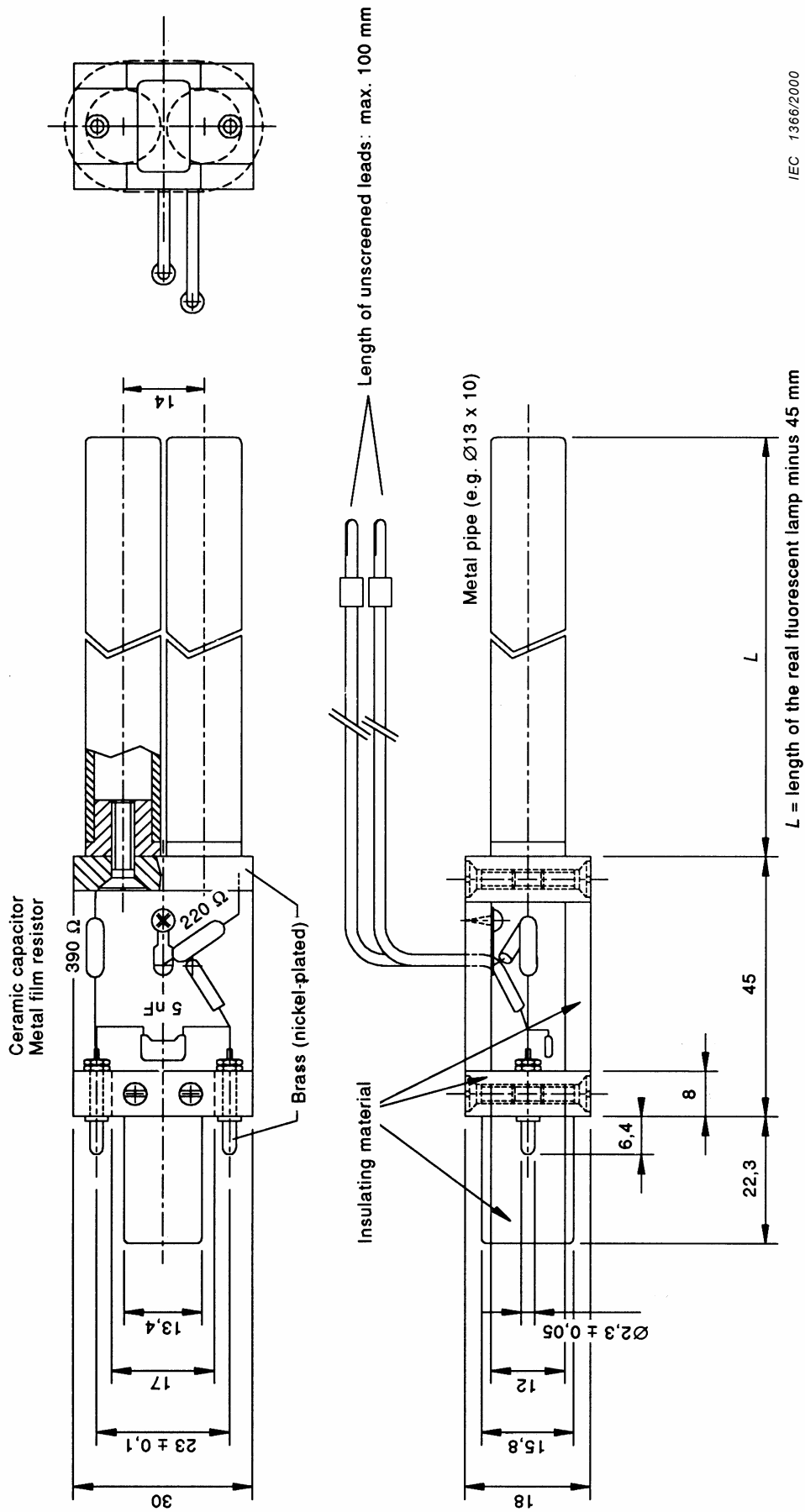
L = length of the real fluorescent lamp minus 40 mm

Figure 4c – Dummy lamp for 15 mm fluorescent lamps



NOTE Tolerances in dimensions: ±1 in the last decimal, tolerances in resistances: ±5 %, unless otherwise specified.

Figure 4d – Dummy lamp for 15 mm single-capped fluorescent lamps



IEC 1366/2000

Dimensions in millimetres

Figure 4e – Dummy lamp for single-capped fluorescent lamps, linear-shaped, twin tube, tube diameter 12 mm

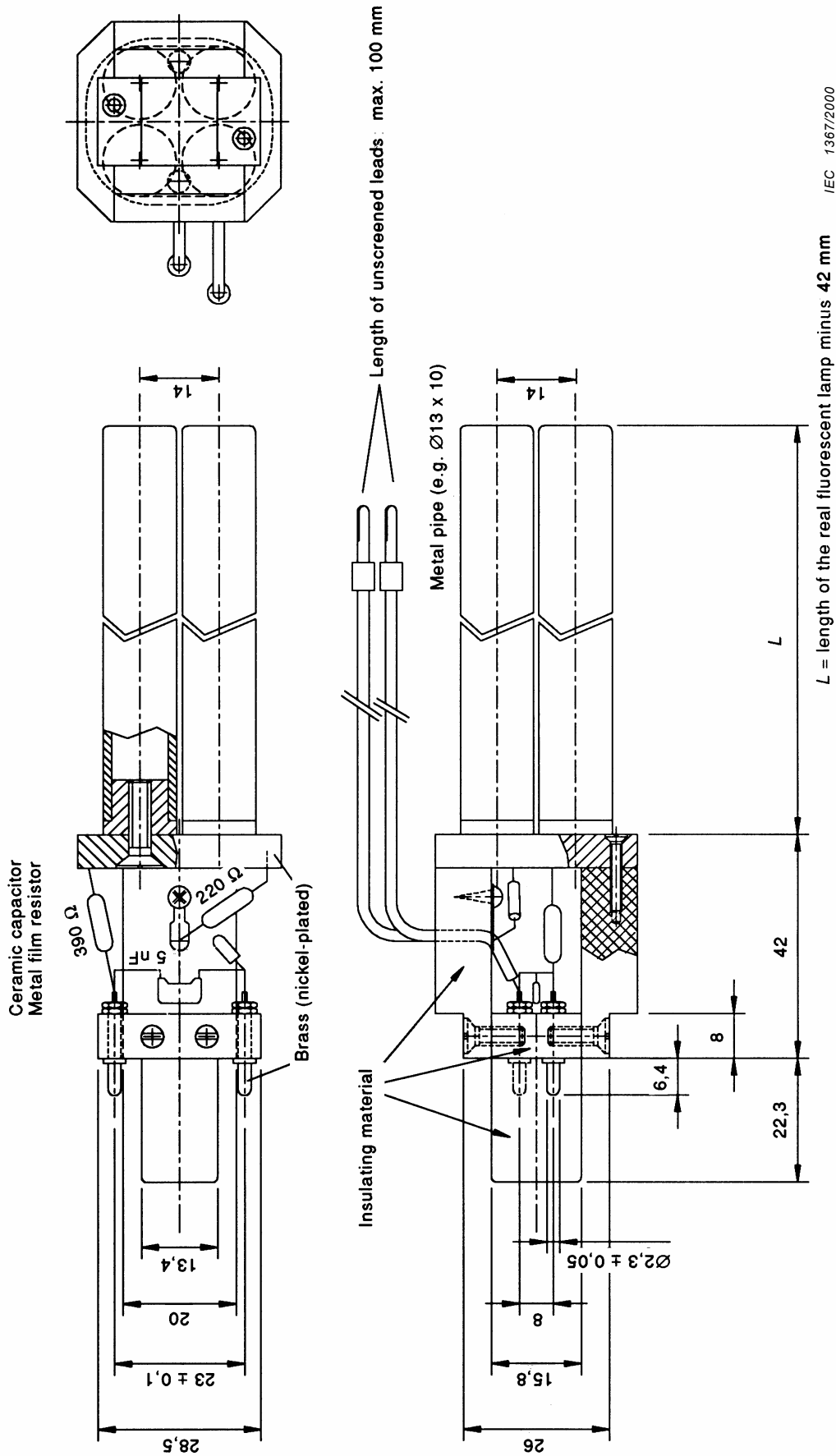
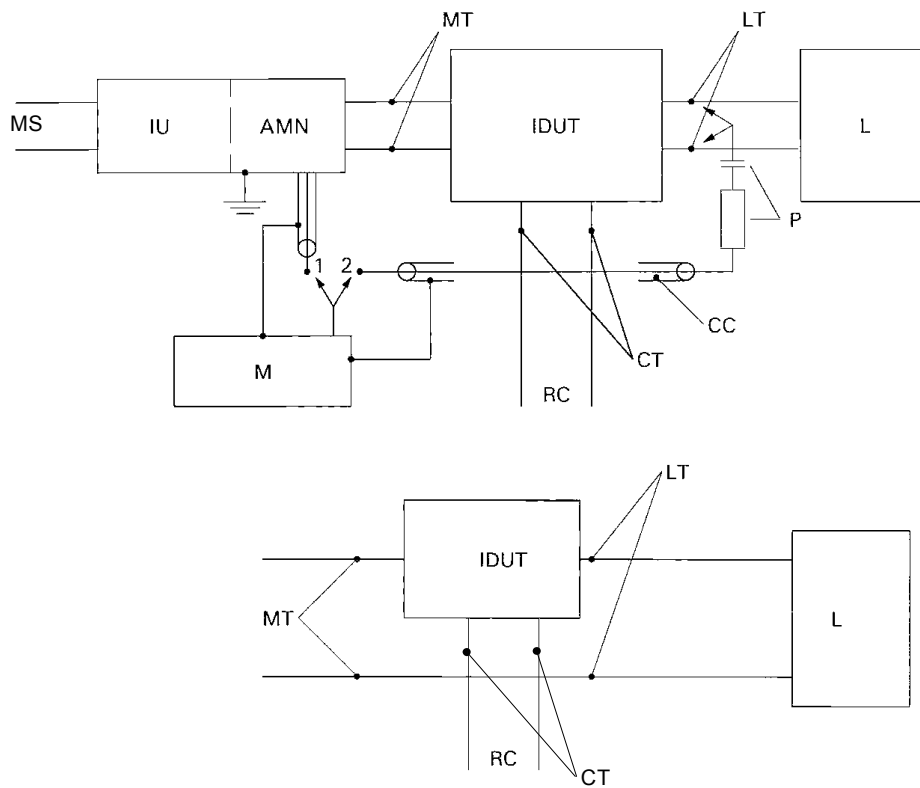


Figure 4f – Dummy lamp for single-capped fluorescent lamps, linear-shaped, quad tube, diameter 12 mm



IEC 1706/01

Key

- MS = Mains supply
 - IU = Isolating unit
 - AMN = 50 Ω/50 μH + 5 Ω (or 50 Ω/50 μH) artificial mains V-network as specified in CISPR 16-1-2
 - MT = Mains terminals
 - IDUT = Independent device under test
 - LT = Load terminals
 - L = Load
 - P = Probe ($R \geq 1\,500\ \Omega$ and $C \geq 0,005\ \mu\text{F}$)
 - CC = Coaxial cable
 - CT = Control terminals
 - M = CISPR measuring receiver
 - RC = Remote control (if any)
- Switch positions and probe connections:
 1 For mains measurements
 2 For load measurements

Figure 5 – Measuring arrangements for an independent light regulating device, transformer or convertor

The earth of the measuring receiver shall be connected to the artificial mains V-network.

The length of the coaxial cable from the probe shall not exceed 2 m.

When the switch is in position 2, the output of the artificial mains V-network at terminal 1 shall be terminated by an impedance equivalent to that of the CISPR measuring receiver.

Where a two-terminal device is inserted in only one lead of the supply, measurements shall be made by connecting the second supply lead as indicated in the lower figure.

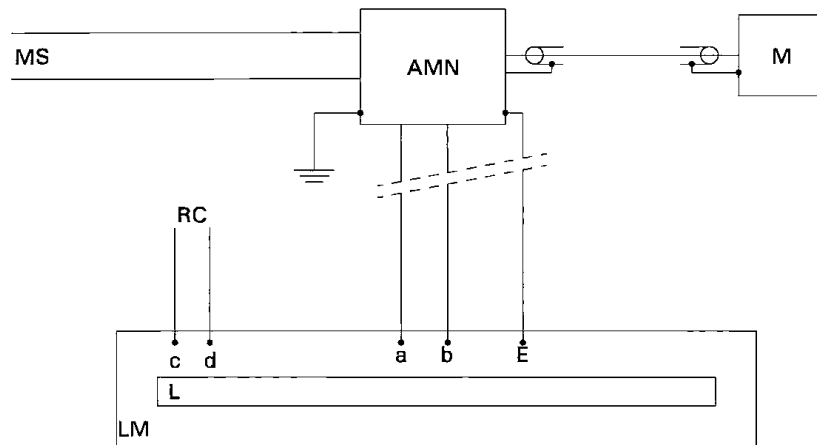


Figure 6A

IEC 1707/01

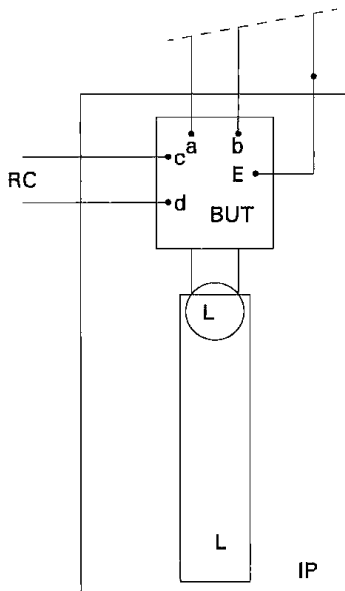


Figure 6B

IEC 1708/01

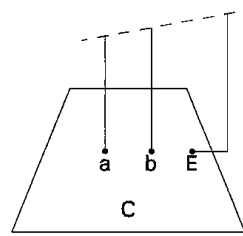


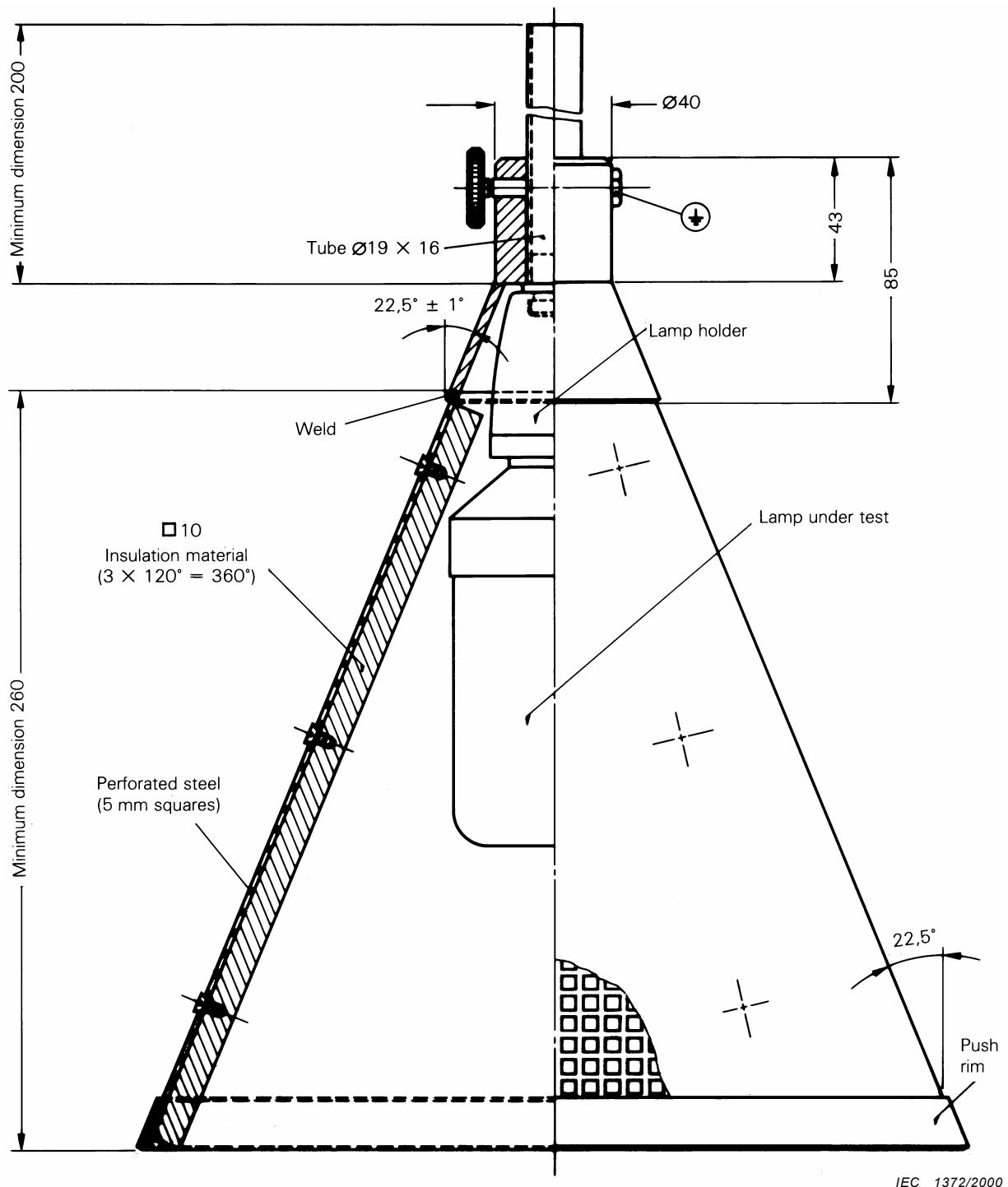
Figure 6C

IEC 1709/01

Key

- | | | | |
|-------|--|-------|-------------------------|
| AMN | = 50 Ω/50 μH + 5 Ω (or 50 Ω/50 μH) artificial mains V-network as specified in CISPR 16-1-2 | M | = Measuring receiver |
| MS | = Mains supply | L | = Examples of lamp |
| RC | = Remote light control | C | = Conical metal housing |
| LM | = Luminaire | BUT | = Ballast under test |
| IP | = Piece of insulating material | c - d | = Control terminals |
| a - b | = Supply terminals | | |
| E | = Earth terminal | | |

Figure 6 – Measuring arrangements for measuring a luminaire (Figure 6a), an independent ballast (Figure 6b) and a self-ballasted lamp (Figure 6c)



Dimensions in millimetres

NOTE 1 Tolerances in dimensions: ± 1 in the last decimal, unless otherwise specified.

NOTE 2 For good reference, adjust the lamp to the highest position.

NOTE 3 For good reference, the lampholder shall be of insulating material.

Figure 7 – Conical metal housing for self-ballasted fluorescent lamps

Annex A (normative)

Electrical and constructional requirements for the low-capacitance balance-to-unbalance transformer

A.1 General

Care is necessary in the construction of the transformer in order to meet the performance requirements.

An example of a suitable construction is shown in Figures A.2a, A.2b, A.2c and A.2d, together with the materials to be used.

A.2 Basic requirements

A.2.1 The output impedance of the transformer, when the input is terminated by $50\ \Omega$, shall be $150\ \Omega \pm 10\%$ with a phase angle not exceeding 10° . The isolation of the transformer is checked as follows (see Figure A.1).

Using a voltmeter with a high impedance (for example $1\ \text{M}\Omega$), but shunted with a $150\ \Omega$ resistor, the voltage V'_2 (see Figure A.1b) and V''_2 (see Figure A.1c) measured between each secondary terminal and the earth connection of the transformer, shall be at least 43 dB below the voltage V_1 (see Figure A.1a) measured across the secondary terminals, with constant output level from the r.f. generator.

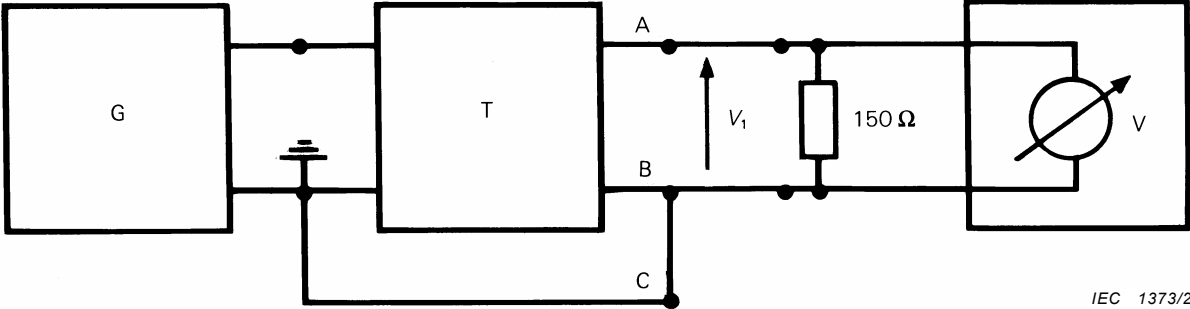
A.2.2 The requirements of A.1 shall be met throughout the frequency range 150 kHz to 1 605 kHz.

A.2.3 The transformer shall be mounted in a metal box. The side where the output terminals are mounted is constructed of an insulating material, and the earth connection of the input terminal shall be connected to the metal box (see Figure A.2d).

A.3 Additional requirements

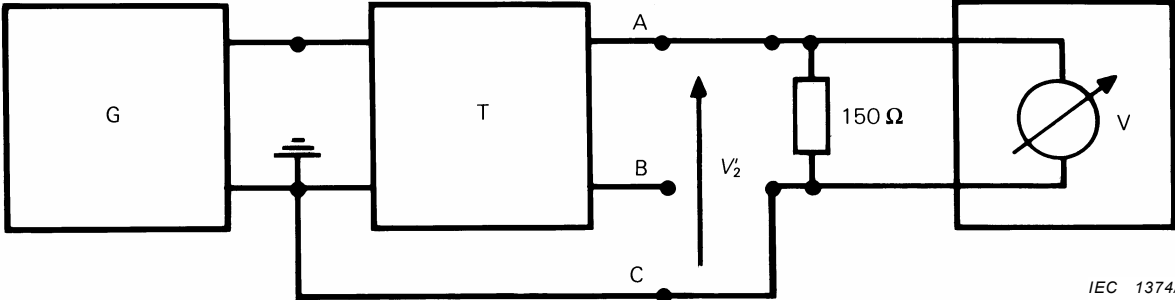
To allow for simplified measuring procedures, the following additional requirements shall be applied.

- a) In the frequency range 150 kHz to 1 605 kHz, the transformer shall have a transfer characteristic which is flat within 0,5 dB.
- b) The transformer is constructed in such a way that U_1 , as defined in 5.4.2, can be adjusted to a value of 1 V, without causing saturation effects in the ferrite core.



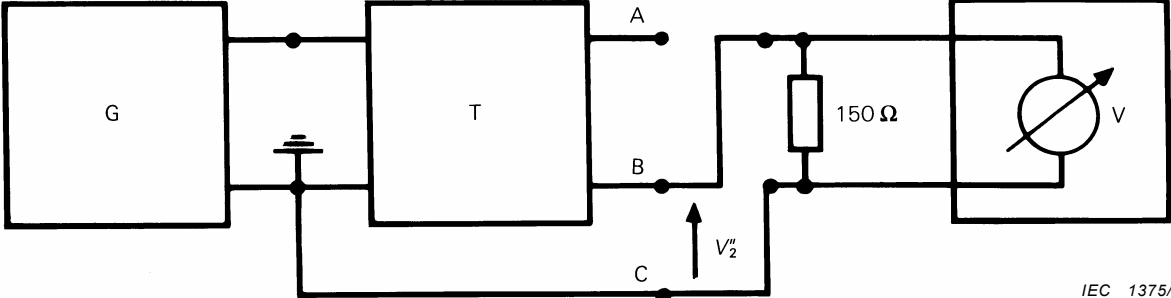
IEC 1373/2000

Figure A.1a



IEC 1374/2000

Figure A.1b



IEC 1375/2000

Figure A.1c

Figure A.1 – Isolation test configuration

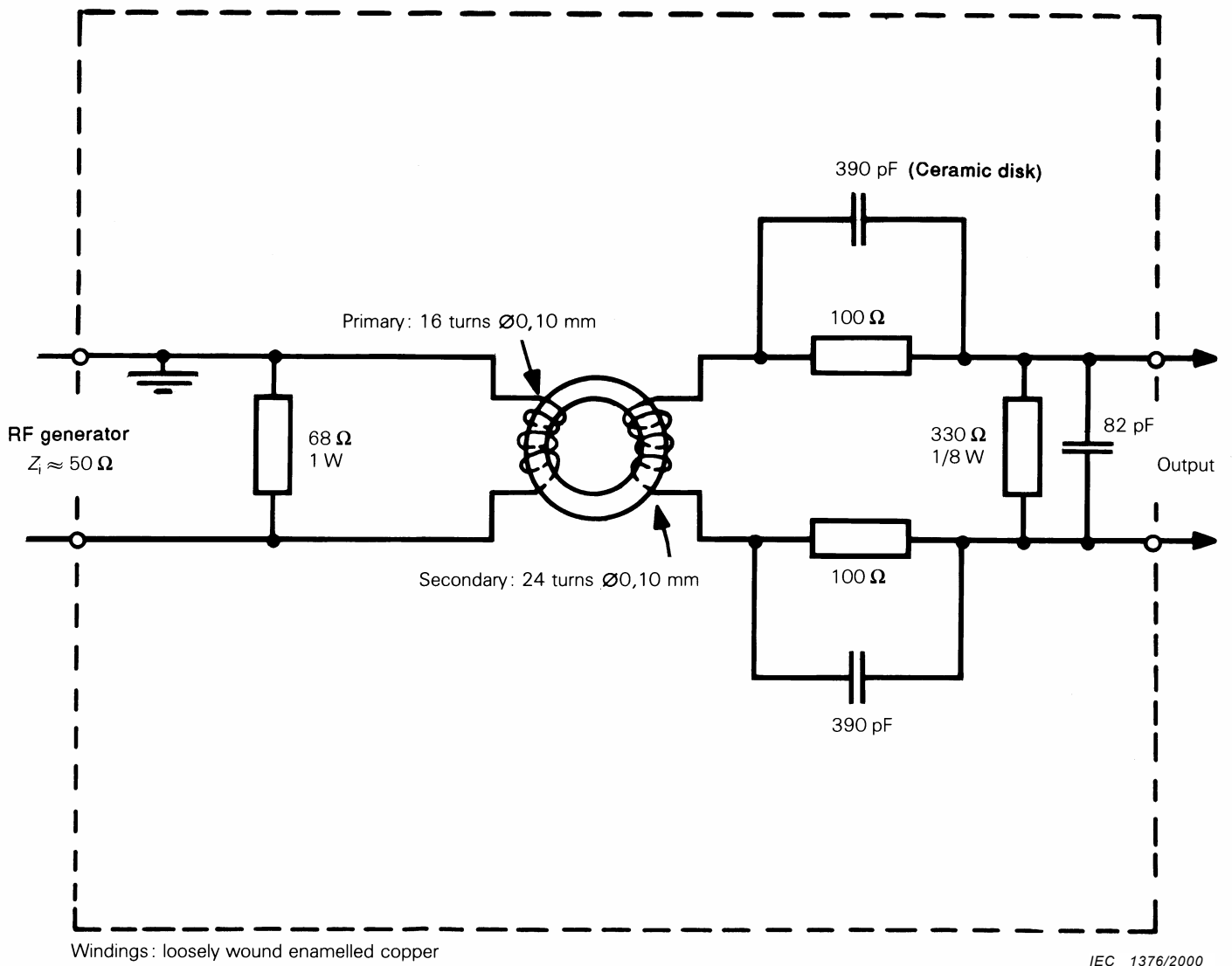
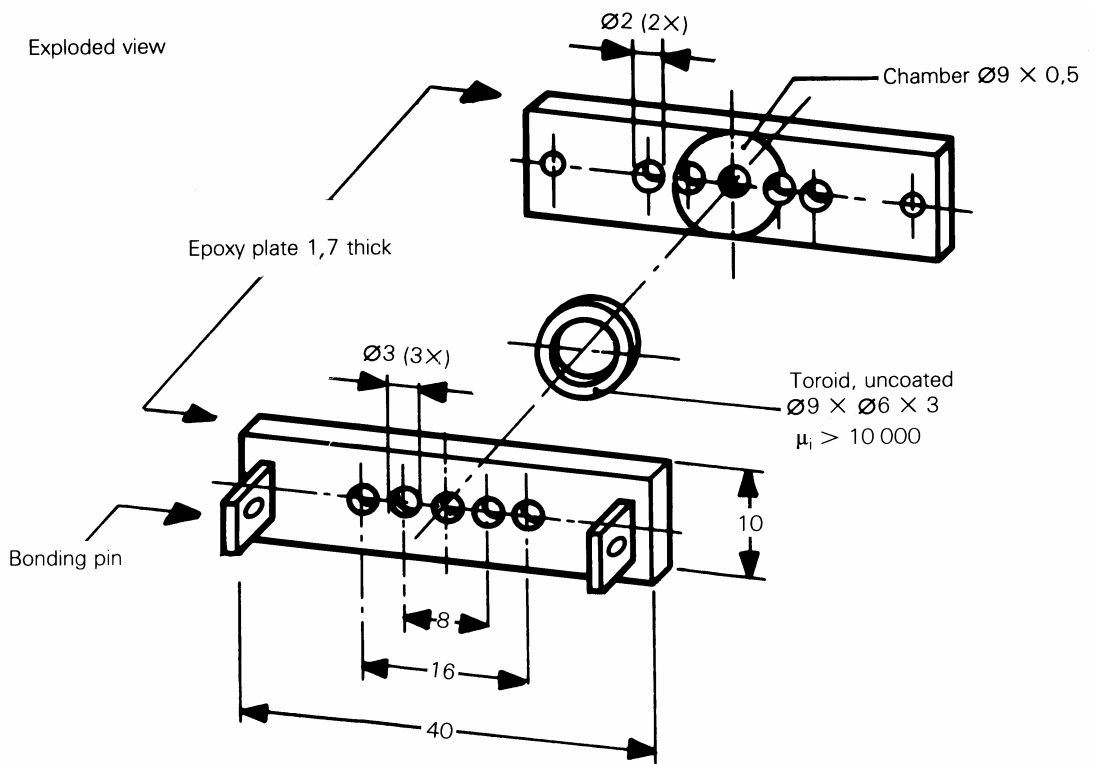


Figure A.2a – Balance-to-unbalance transformer circuit

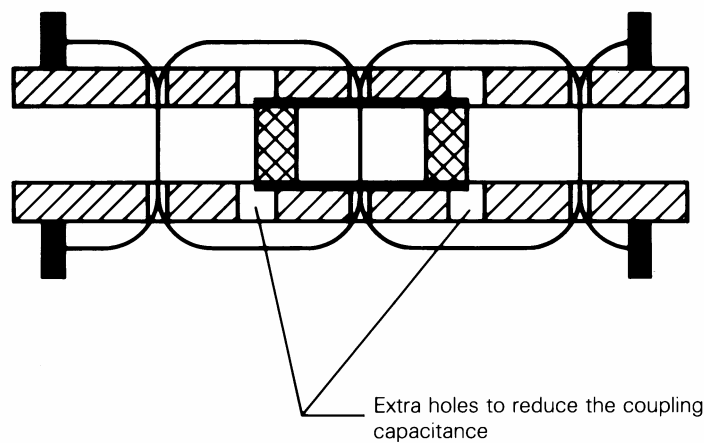


IEC 1377/2000

Dimensions in millimetres

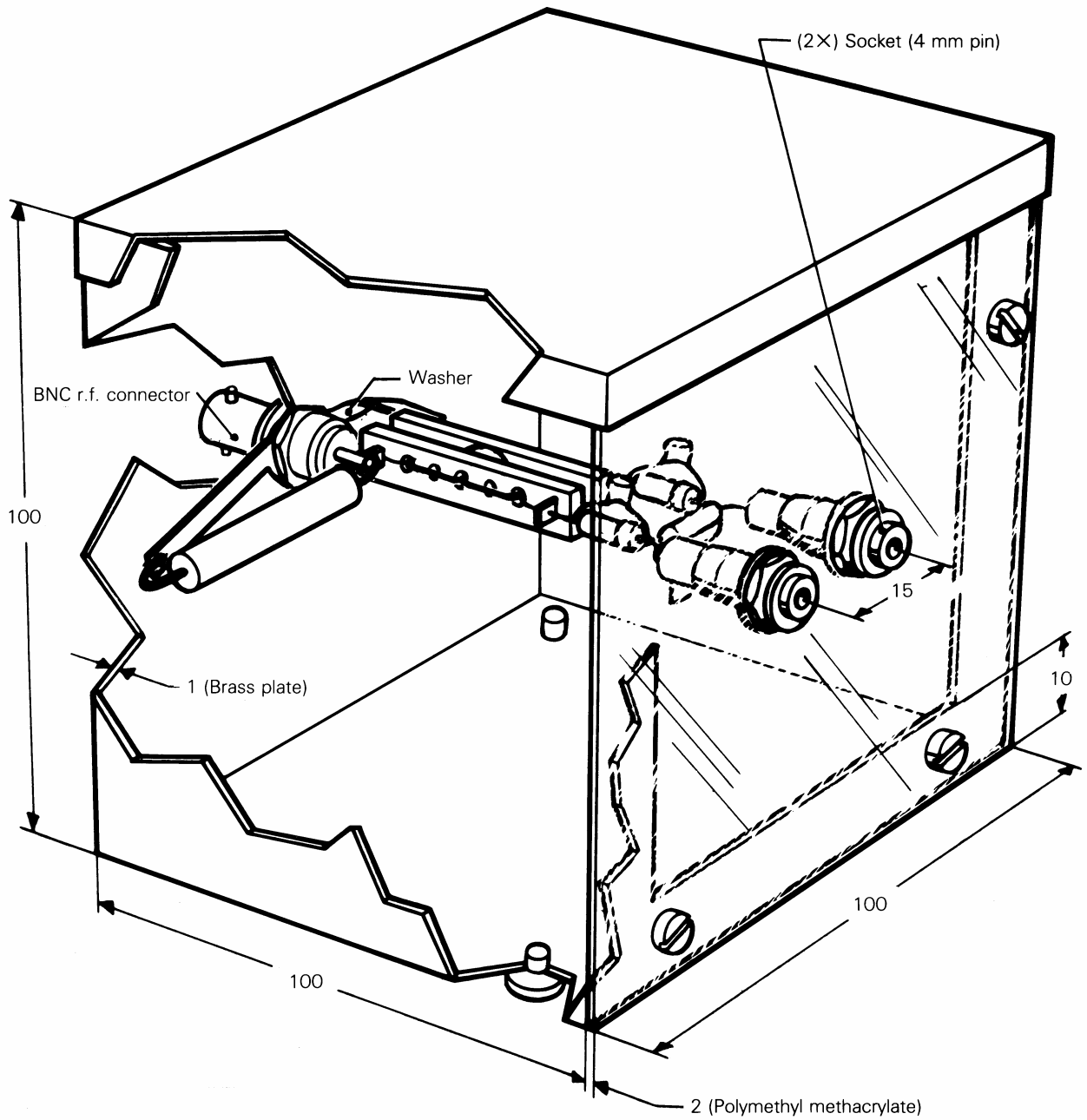
Figure A.2b – Details of transformer core construction

Cross-section



IEC 1378/2000

Figure A.2c – Details of transformer core construction



IEC 1379/2000

Dimensions in millimetres

Figure A.2d – Construction of transformer

Annex ZA (normative)

Normative references to international publications with their corresponding European publications

The following referenced documents are indispensable for the application of this document. For dated references, only the edition cited applies. For undated references, the latest edition of the referenced document (including any amendments) applies.

NOTE When an international publication has been modified by common modifications, indicated by (mod), the relevant EN/HD applies.

<u>Publication</u>	<u>Year</u>	<u>Title</u>	<u>EN/HD</u>	<u>Year</u>
IEC 60050-161	1990	International Electrotechnical Vocabulary (IEV) Chapter 161: Electromagnetic compatibility	-	-
IEC 60155	1993	Glow-starters for fluorescent lamps	EN 60155	1995
IEC 60598-1 (mod)	2003	Luminaires Part 1: General requirements and tests	EN 60598-1	2004
CISPR 11 (mod)	2003	Industrial scientific and medical (ISM) radio-frequency equipment - Electromagnetic disturbance characteristics - Limits and methods of measurement	EN 55011	200X ¹⁾
CISPR 16-1-1	2003	Specification for radio disturbance and immunity measuring apparatus and methods Part 1-1: Radio disturbance and immunity measuring apparatus - Measuring apparatus	EN 55016-1-1	2004
CISPR 16-1-2	2003	Specification for radio disturbance and immunity measuring apparatus and methods Part 1-2: Radio disturbance and immunity measuring apparatus - Ancillary equipment - Conducted disturbances	EN 55016-1-2	2004
CISPR 16-1-4	2003	Specification for radio disturbance and immunity measuring apparatus and methods Part 1-4: Radio disturbance and immunity measuring apparatus - Ancillary equipment - Radiated disturbances	EN 55016-1-4	2004
CISPR 16-2-1	2003	Specification for radio disturbance and immunity measuring apparatus and methods Part 2-1: Methods of measurement of disturbances and immunity - Conducted disturbance measurements	EN 55016-2-1	2004
CISPR 22 (mod)	2005	Information technology equipment - Radio disturbance characteristics - Limits and methods of measurement	EN 55022	2006

¹⁾ To be published.

Annex ZZ
(informative)

Coverage of Essential Requirements of EC Directives

This European Standard has been prepared under a mandate given to CENELEC by the European Commission and the European Free Trade Association and within its scope the standard covers essential requirements as given in Article 4(a) of EC Directive 89/336/EEC and Annex I Article 1(a) of EC Directive 2004/108/EC.

Compliance with this standard provides one means of conformity with the specified essential requirements of the Directives concerned.

WARNING: Other requirements and other EC Directives may be applicable to the products falling within the scope of this standard.

BSI — British Standards Institution

BSI is the independent national body responsible for preparing British Standards. It presents the UK view on standards in Europe and at the international level. It is incorporated by Royal Charter.

Revisions

British Standards are updated by amendment or revision. Users of British Standards should make sure that they possess the latest amendments or editions.

It is the constant aim of BSI to improve the quality of our products and services. We would be grateful if anyone finding an inaccuracy or ambiguity while using this British Standard would inform the Secretary of the technical committee responsible, the identity of which can be found on the inside front cover.
Tel: +44 (0)20 8996 9000. Fax: +44 (0)20 8996 7400.

BSI offers members an individual updating service called PLUS which ensures that subscribers automatically receive the latest editions of standards.

Buying standards

Orders for all BSI, international and foreign standards publications should be addressed to Customer Services. Tel: +44 (0)20 8996 9001.
Fax: +44 (0)20 8996 7001. Email: orders@bsi-global.com. Standards are also available from the BSI website at <http://www.bsi-global.com>.

In response to orders for international standards, it is BSI policy to supply the BSI implementation of those that have been published as British Standards, unless otherwise requested.

Information on standards

BSI provides a wide range of information on national, European and international standards through its Library and its Technical Help to Exporters Service. Various BSI electronic information services are also available which give details on all its products and services. Contact the Information Centre.
Tel: +44 (0)20 8996 7111. Fax: +44 (0)20 8996 7048. Email: info@bsi-global.com.

Subscribing members of BSI are kept up to date with standards developments and receive substantial discounts on the purchase price of standards. For details of these and other benefits contact Membership Administration.
Tel: +44 (0)20 8996 7002. Fax: +44 (0)20 8996 7001.
Email: membership@bsi-global.com.

Information regarding online access to British Standards via British Standards Online can be found at <http://www.bsi-global.com/bsonline>.

Further information about BSI is available on the BSI website at <http://www.bsi-global.com>.

Copyright

Copyright subsists in all BSI publications. BSI also holds the copyright, in the UK, of the publications of the international standardization bodies. Except as permitted under the Copyright, Designs and Patents Act 1988 no extract may be reproduced, stored in a retrieval system or transmitted in any form or by any means – electronic, photocopying, recording or otherwise – without prior written permission from BSI.

This does not preclude the free use, in the course of implementing the standard, of necessary details such as symbols, and size, type or grade designations. If these details are to be used for any other purpose than implementation then the prior written permission of BSI must be obtained.

Details and advice can be obtained from the Copyright & Licensing Manager.
Tel: +44 (0)20 8996 7070. Fax: +44 (0)20 8996 7553.
Email: copyright@bsi-global.com.