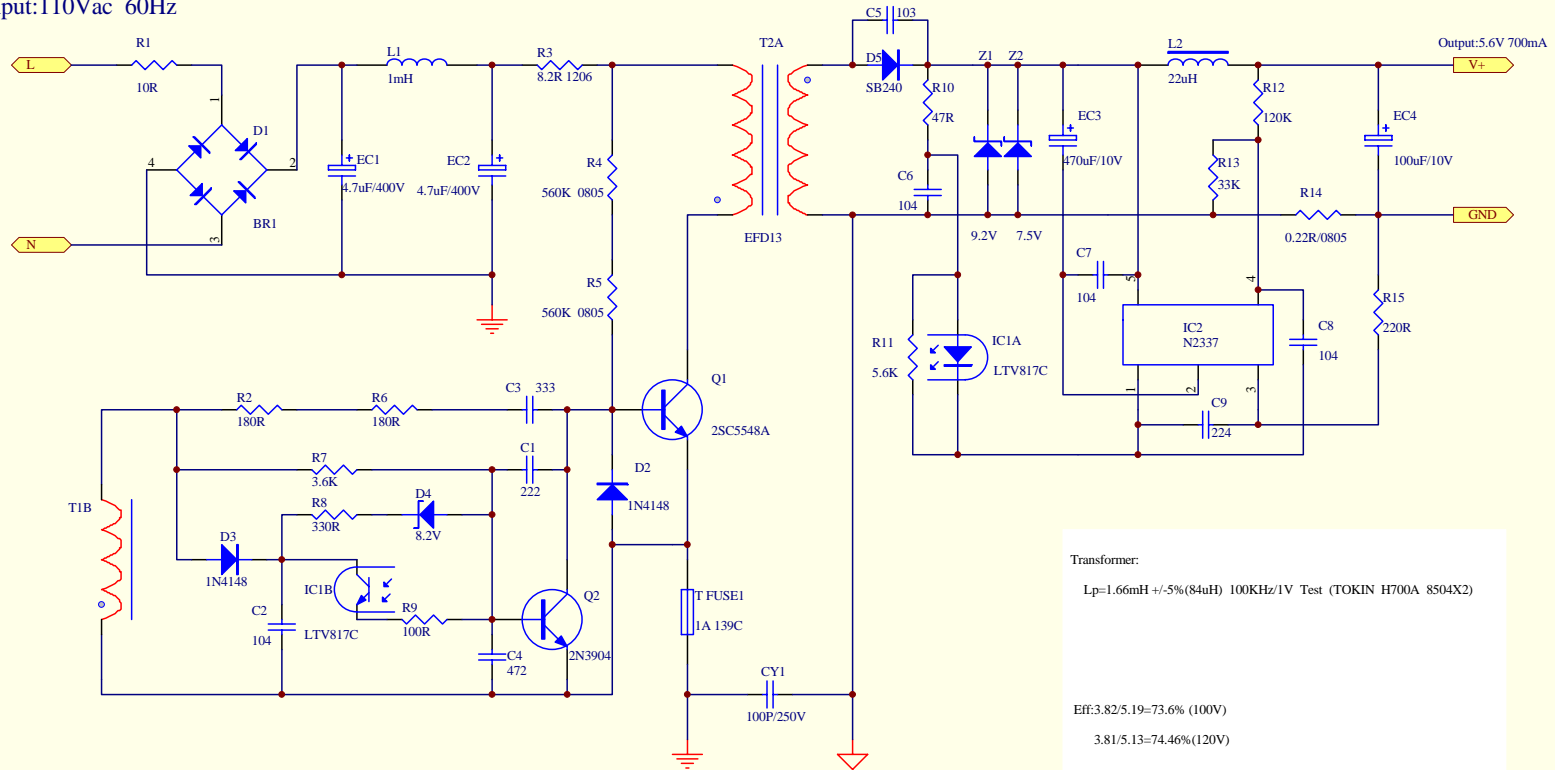


Input: 110Vac 60Hz



Transformer:  
 $L_p = 1.66\text{mH} \pm 5\% (84\mu\text{H})$  100KHz/1V Test (TOKIN H700A 8504X2)

Eff:  $3.82/5.19 = 73.6\%$  (100V)  
 $3.81/5.13 = 74.46\%$  (120V)

Title		
Size	Number	Revision
A4		
Date:	7-Jul-2008	Sheet of
File:	G:\松下RCC电路图.ddb	Drawn By: