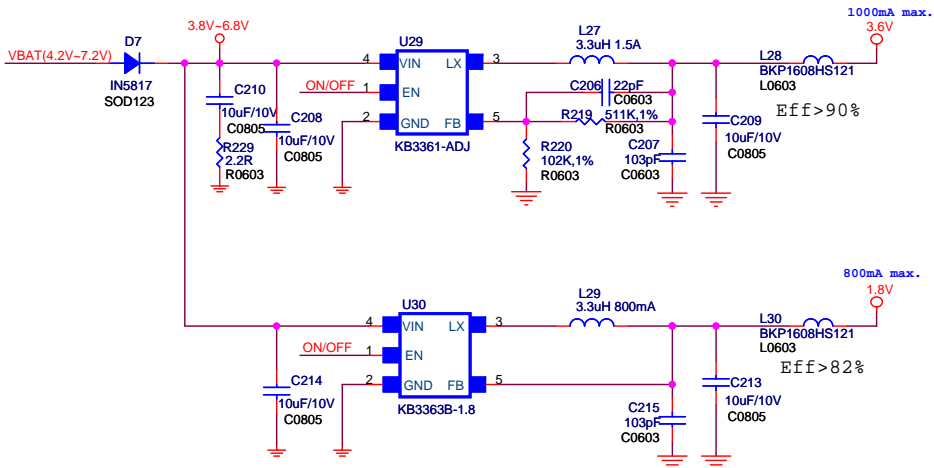
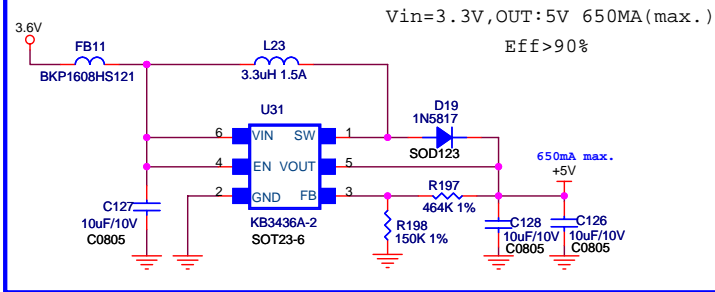


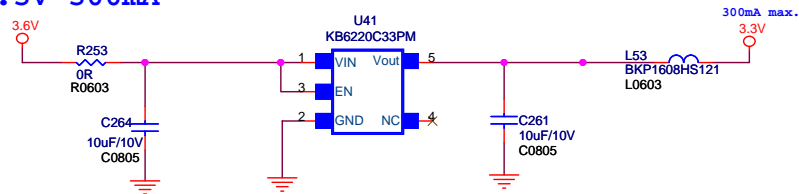
DC-DC step-down 3.6V & 1.8V



5.0V DC-DC Step-Up Converter



LDO 3.3V 300mA



2~10LEDs DRIVER

