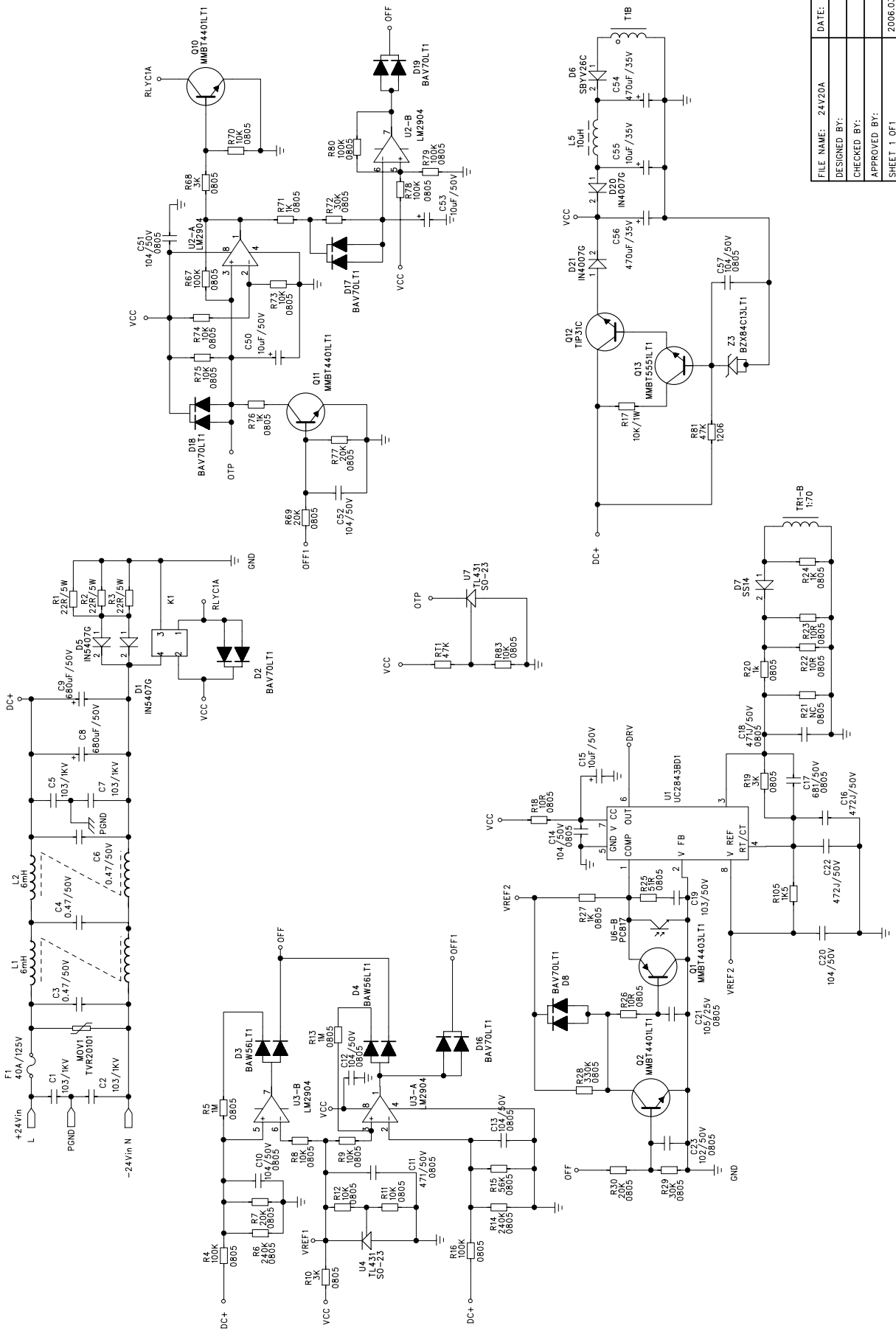


V_{min}=-30V
I_{max}=30A



FILE NAME: 24V20A	DATE:
DESIGNED BY:	
CHECKED BY:	
APPROVED BY:	
SHEET 1 OF 1	2006.03.29

