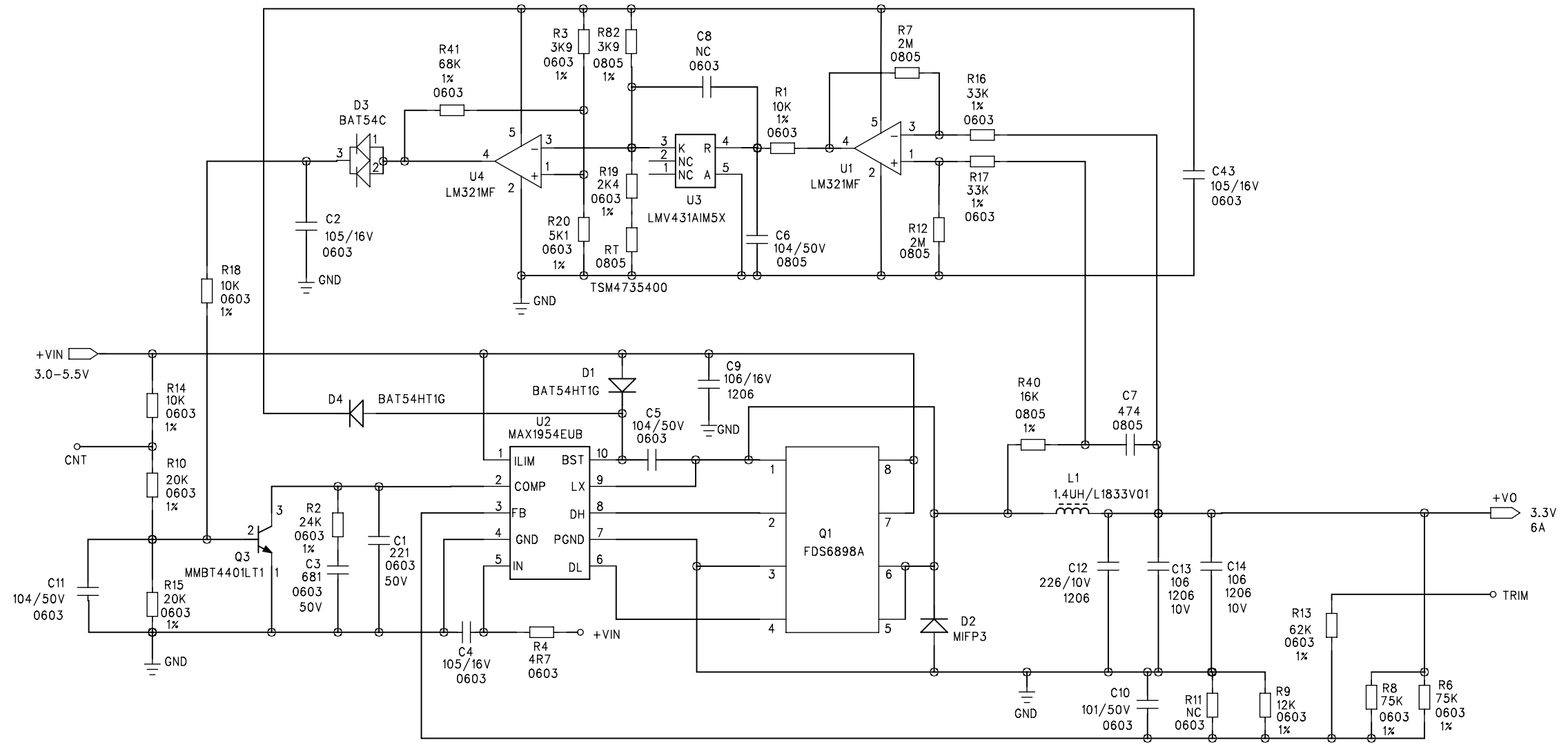


OTP



FILE NAME: M152V0.0A.SCH	DATE:
RELEASE:	
DESIGNED:	
CHECKED:	
APPROVED:	
SHEET 1 OF 1	2006.09.05

P1 —

P2 —

P3 —○ +VIN

P4 —○ CNT

P5 —○ GND

P6 —○ TRIM

P7 —○ +VO

P8 —○ GND