

DW8525 : 1.5A Low Noise, High Power LED Driver

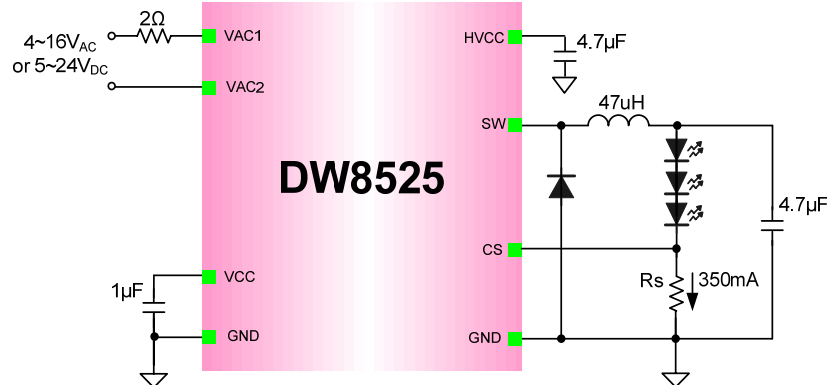
Features

- Topology : Switch mode buck converter with internal AC/DC bridge rectifier
- Input voltage : 4 ~ 16Vac on VAC1/2 pin
5 ~ 24Vdc on VAC1/2 or HVCC pin
- LED current : Up to 1.5A
- Current control : PWM and Analog dimming on CS
- Quiescent current : Typ. 0.5mA
- Switching frequency : Max. 500kHz
- Protection function : Soft-Start, TSD, OVP

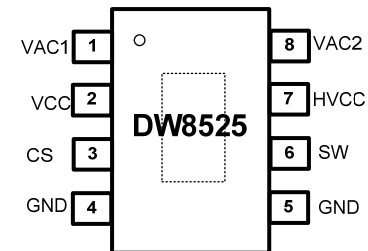
Applications

- MR16 Lighting
- Offline LED lamps and fixtures
- Signage and Decorative lighting
- General purpose LED lighting
- Automotive lighting

Typical Application



Package



8Lead SOIC-EP
(4.9 x 3.9 x 1.4)