

6

5

4

3

2

1

D

C

B

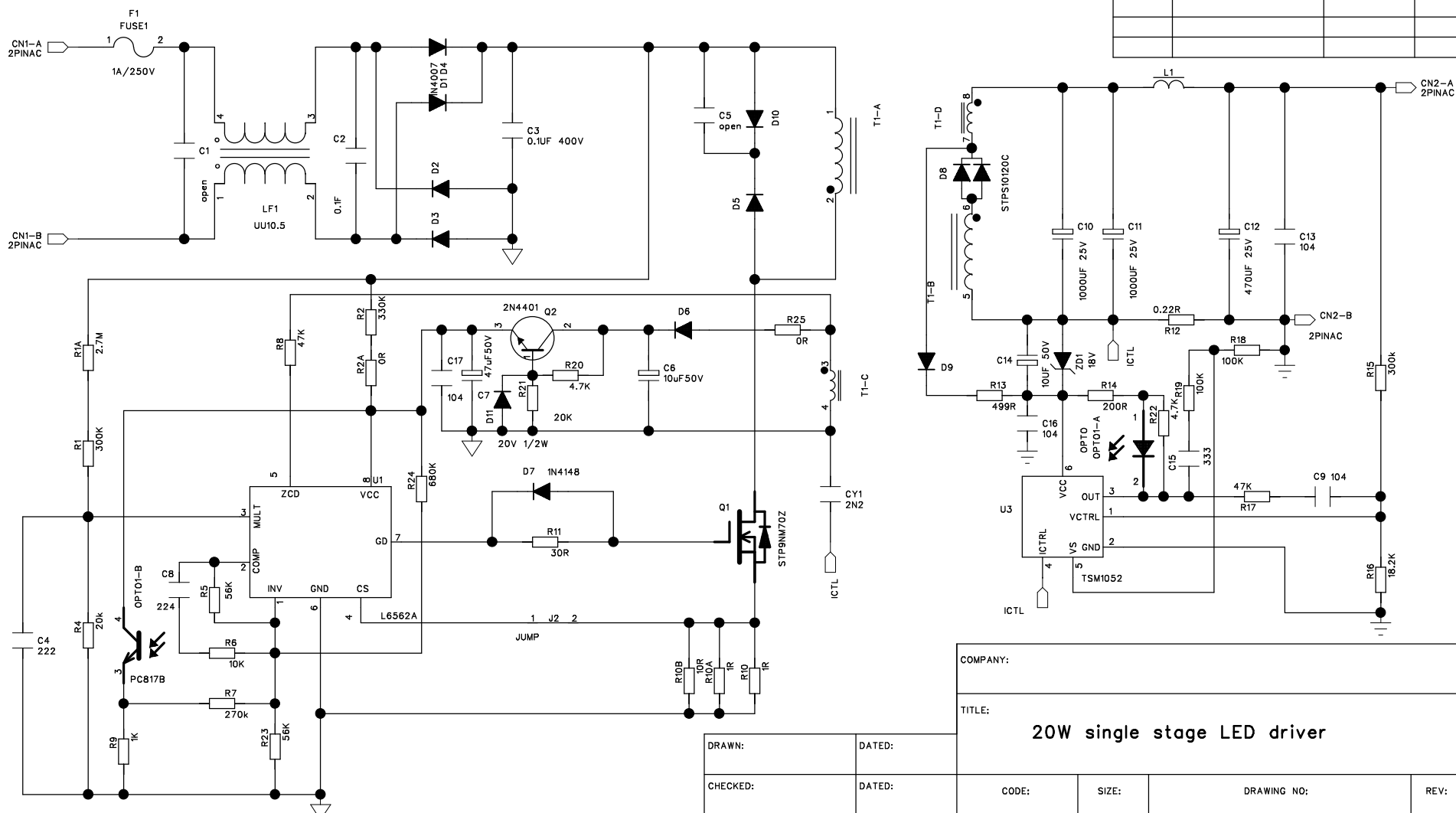
A

D

C

B

A



REVISION RECORD			
LTR	ECO NO:	APPROVED:	DATE:

COMPANY:			
TITLE: <b>20W single stage LED driver</b>			
CODE:	SIZE:	DRAWING NO:	REV:
SCALE:	SHEET:		OF

DRAWN:	DATED:
CHECKED:	DATED:
QUALITY CONTROL:	DATED:
RELEASED:	DATED: