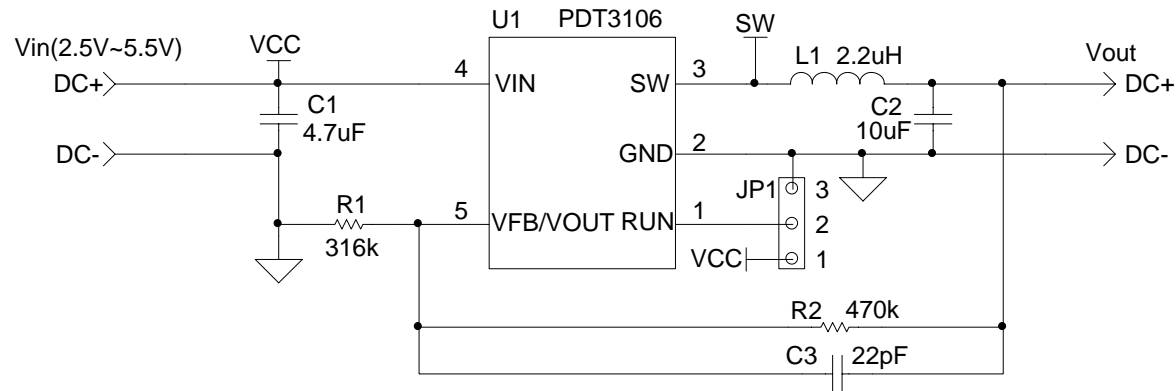


# PDT3106 EV Board Schematics



## Input / Output capacitors (C1, C2):

C1: 4.7uF/10V/0805/X5R, Murata: GRM219R61A475KE34B

C1: 4.7uF/6.3V/0603/X5R, Murata: GRM188R60J475KE19B

C1: 4.7uF/10V/0805/Y5V, Murata: GRM21BF51A475ZA01B

C2: 10uF/6.3V/0805/X5R, Murata: GRM21BR60J106KE19B

C2: 10uF/10V/1206/X5R, Murata: GRM31MR61A106KE19B

C2: 10uF/6.3V/0805/Y5V, Murata: GRM21BF50J106ZE01B

## Feed-Forward capacitor (C3):

C3: 22pF/50V/0402/C0G, Murata: GRM1555C1H220JZ01

## Inductor (L1):

L1: 2.2uH/1.75A, Sumida: CDRH3D16/HPNP-2R2NC (mark:"CN")

L1: 2.2uH/1.6A, Sumida: CDRH2D18/HPNP-2R2NC (mark:"CT")

## Feedback resistor value assignments:

$$V_{OUT} = V_{FB} \times (1 + R2/R1), V_{FB} = 0.6V$$

R1 = 316k, R2 = 316k, Vout = 1.2V

R1 = 316k, R2 = 470k, Vout = 1.5V

R1 = 316k, R2 = 634k, Vout = 1.8V

R1 = 316k, R2 = 1M, Vout = 2.5V