



SERIAL MICROELECTRONICS(HK) LIMITED
A Serial System Ltd Group of Companies

Battery Management Solutions

*For High Cell Count
Applications*



Agenda

- **TI's New Strategic Focus for Batteries**
 - **New Organization Targets New Markets**
- **Solutions for High Cell Count Devices**
 - **PowerLAN™ Family Overview**
- **Roadmap & Timing**
- **PowerPump™ Cell Balancing**
- **Summary & Wrap-Up**



TI's New Strategic Focus

Texas Instruments

Battery Management Solutions

NEW

High Cell Count & Emerging

Hand-Held

Notebook

- ✓ Combining the POWERPRECISE acquisition with the best talent from TI's Battery Management Solutions
- ✓ Exclusively Focused on Key Markets & Product Segments:
 - Power Tools, Automotive, UPS
 - Industrial & Medical, Military
 - Rechargeable, Primary and Hybrid Power Sources



Battery Management Solutions

A Pervasive Set of Options

Battery Management for 2 to 16 Series Cells

- Multiple Architectures - Scalable & Stackable
 - Protection Only or full ImpedanceTrack™ Fuel Gauging
- Various Cell Balancing / Equalization Technologies
- Separate Analog to Digital Converters for Protection & Monitoring
- Complete Solutions Pre-Programmed or Individual Components
- Multiple Communications Options: SMBus, I²C, SPI
- Advanced Algorithms for Today's Li-Ion Chemistries

***Ideally Suited for Power Tools, Automotive, UPS,
Industrial, Medical, & Military Devices***



Battery Management

PowerLAN™ Product Families

***bq76PL10x* & *bq78PL11x* Stackable Monitors & Controllers**

- Six parts - Same Architecture - Multiple System Configurations
- Components for Complete Measurement & Monitoring Systems
 - Vcell, Tcell, Istring & Impedance Track Fuel Gauging
- Advanced PowerPump™ Cell Balancing - Efficient & No Heat
- Full SMBus Smart Battery Implementation or Simple Protection
- Scalable & Flexible for 2 to 16 Series Cells

***bq77PL900* Single IC Monitor & Protector**

- Protection & Analog Front End
 - Stand-Alone or Host Controlled Options
- Simple & Effective Cell Balancing
- Single IC Solution for 5 to 10 Series Cells



Stackable Battery Management

PowerLAN™ *bq76PL10x* & *bq78PL11x* Family

Components for a Complete Measurement & Protection System

- One IC Solution for 2, 3, 4 Series Cells
- Two IC Solution for 5 to 10 Series Cells
 - Three Different Stackable Parts: 2, 4, and 6-cell Monitors
- Measurement & Monitoring: Vcell, Tcell, Istring
 - Direct Protection High Side MOSFET Control
- Dedicated Measurement & Protection A/Ds
 - One A/D per Cell Voltage (1 mV Resolution, 5 mV Accuracy)
 - Two Separate A/Ds for Current Measurements & Safety
- PowerPump™ Cell Balancing – Works in Idle/Charge/Discharge
- SPI or SMBus/I²C for External Interface

Multiple Parts for Simple System Configuration

- *bq76PL102/104/106* Dual, Quad, & 6-Cell Stackable Monitors
- *bq77PL112/114* Gateway Controllers w/Dual or Quad Cell Monitors



Product Details

bq76PL102/104/106 Dual, Quad, or 6-Cell Monitors

- Cell Monitors for use with ***bq78PL11x*** Gateway Controllers
- Measure Voltage & Multiple Temperatures for Each Series Cell
- Allows Synchronized Voltage Measurements with String Current
- Multiple Package/Size/Cell Count Options all Operate Identically
- Advanced PowerPump™ Cell Balancing with Auto-Shut-Off
- Multiple Balancing Algorithm Options: SOC or Voltage-based
- Operates Directly from Cells - No Special Power Requirements
- Low Current - Automatic Sleep Mode Between Measurements



Product Details

***bq78PL112/114* Gateway Controllers**

- Host Controller for use with ***bq76PL10x*** Cell Monitors
- Measures String Current & Lowest 2 or 4 Cells for V & T
- Synchronizes Cell Voltage Measurements with String Current
- Communicates with System: SMBus/I²C or SPI
- Directly Drives Pack Protection MOSFETs
 - OV, UV, OT and Other Safety Threshold Fully Programmable
- Advanced Algorithm Calculations:
 - True Cell Impedance Measurements & Calculations
 - State-of-Charge and State-of-Health
 - Provides PowerPump™ Cell Balancing Management
- **Can be used Stand-Alone for 2, 3, or 4 Series Cells**
- Low-Drop Out Regulator for Support Circuitry

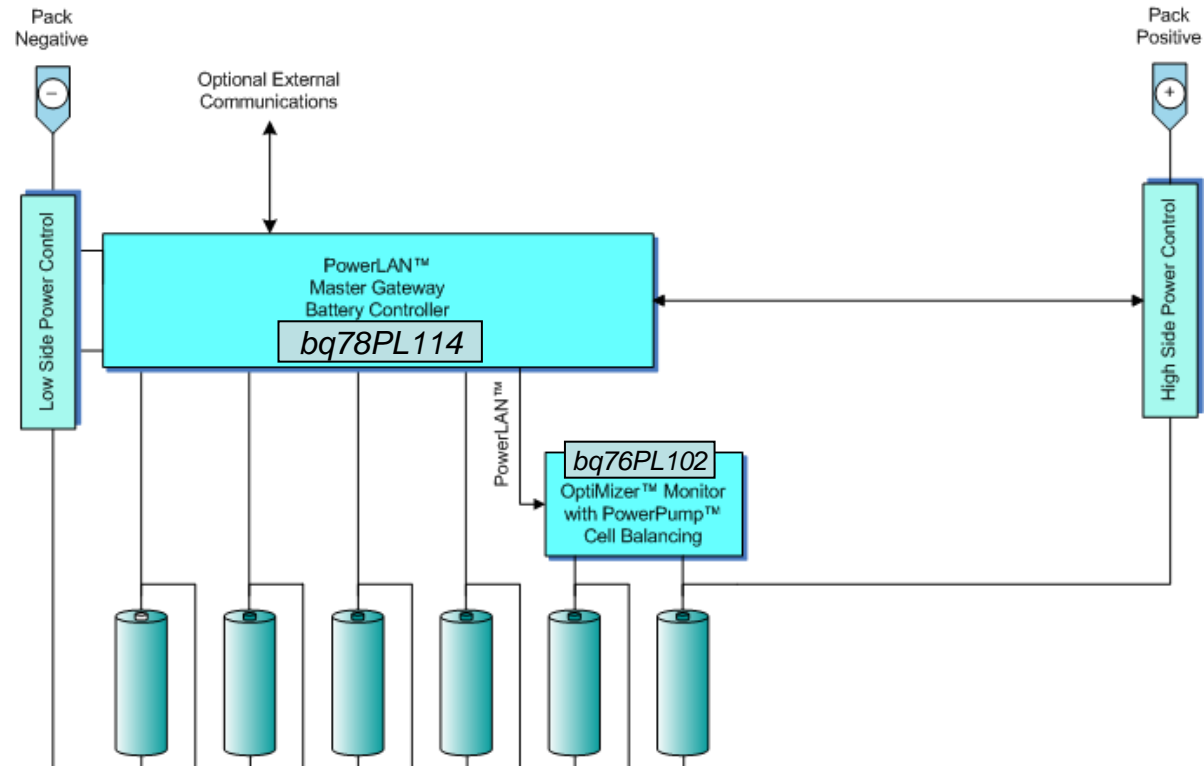


bq76/78PL1xx Family

System Overview: 6-Cell Solution

Full Fuel Gauging, Protection & Monitoring

- Single Chip Master **bq78PL114** supports lower 4 Cells
- With a **bq76PL102** extends to 6 cells



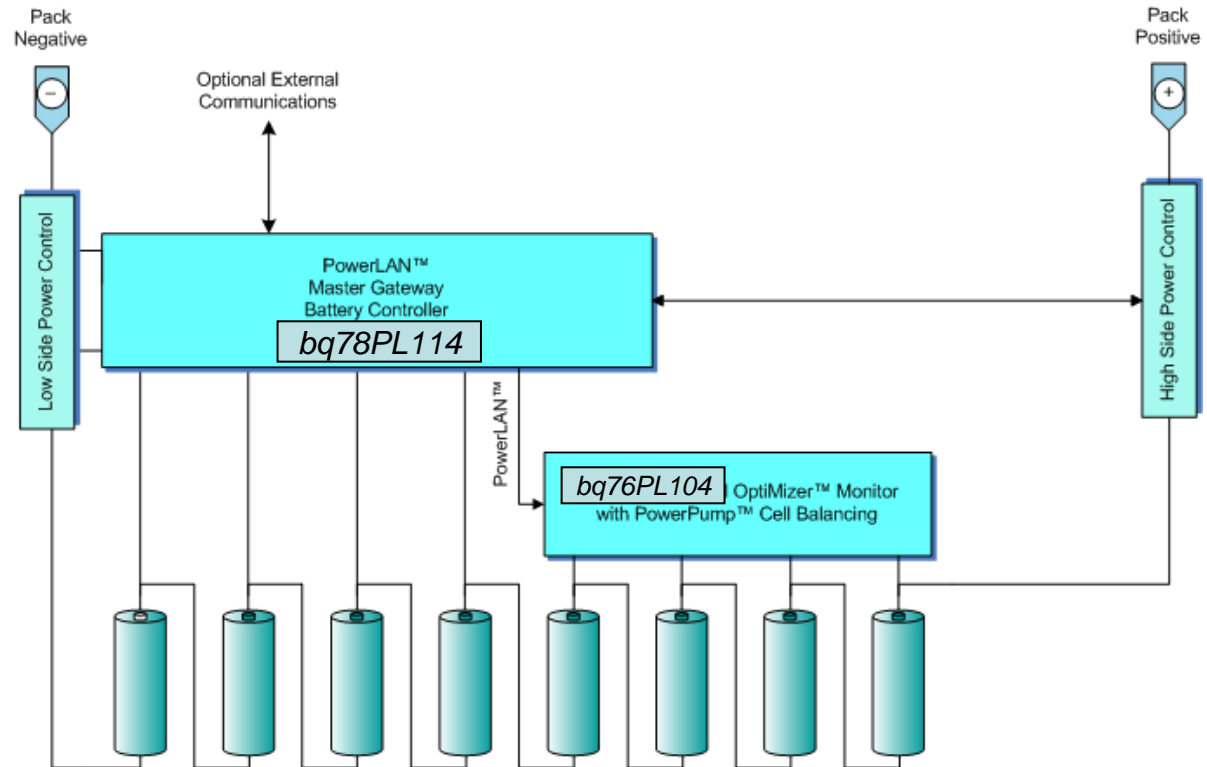


bq76/78PL1xx Family

System Overview: 8-Cell Solution

Full Fuel Gauging, Protection & Monitoring

- Single Chip Master **bq78PL114** supports lower 4 Cells
- With a **bq76PL104** extends to 8 cells



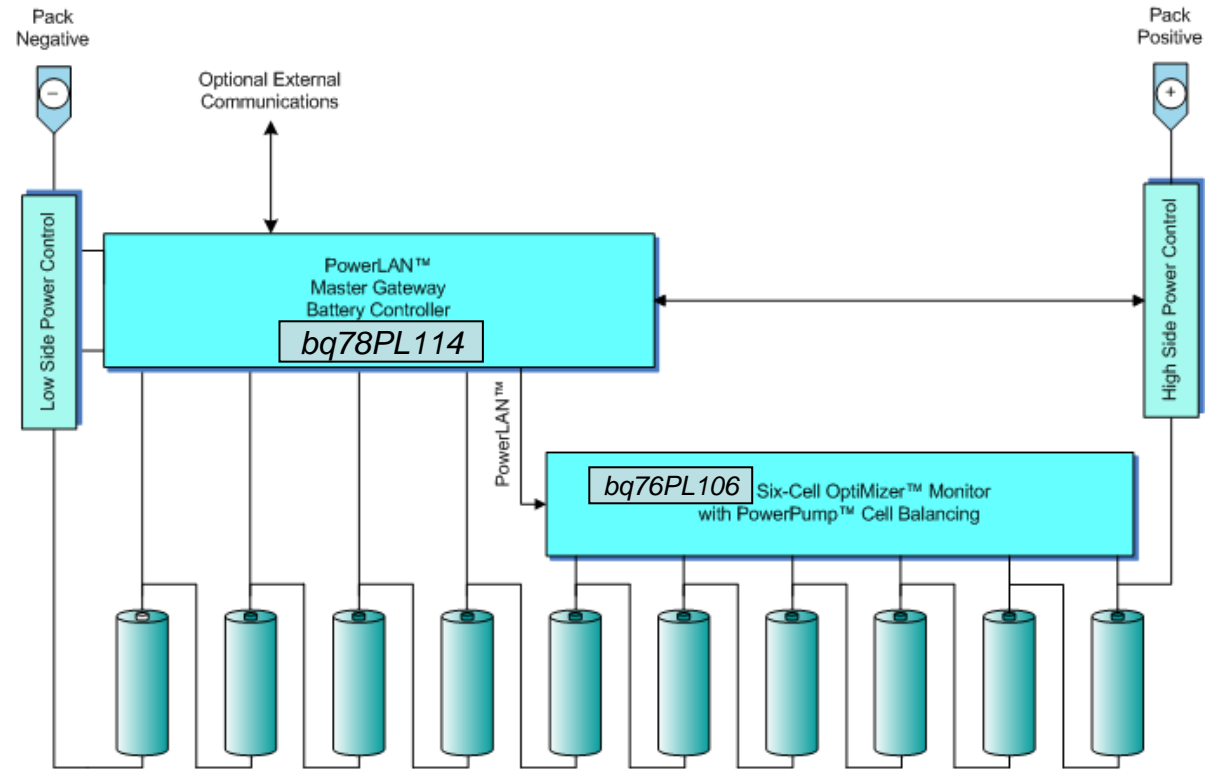


bq76/78PL1xx Family

System Overview: 10-Cell Solution

Full Fuel Gauging, Protection & Monitoring

- Single Chip Master **bq78PL114** supports lower 4 Cells
- With a **bq76PL106** extends to 10 cells



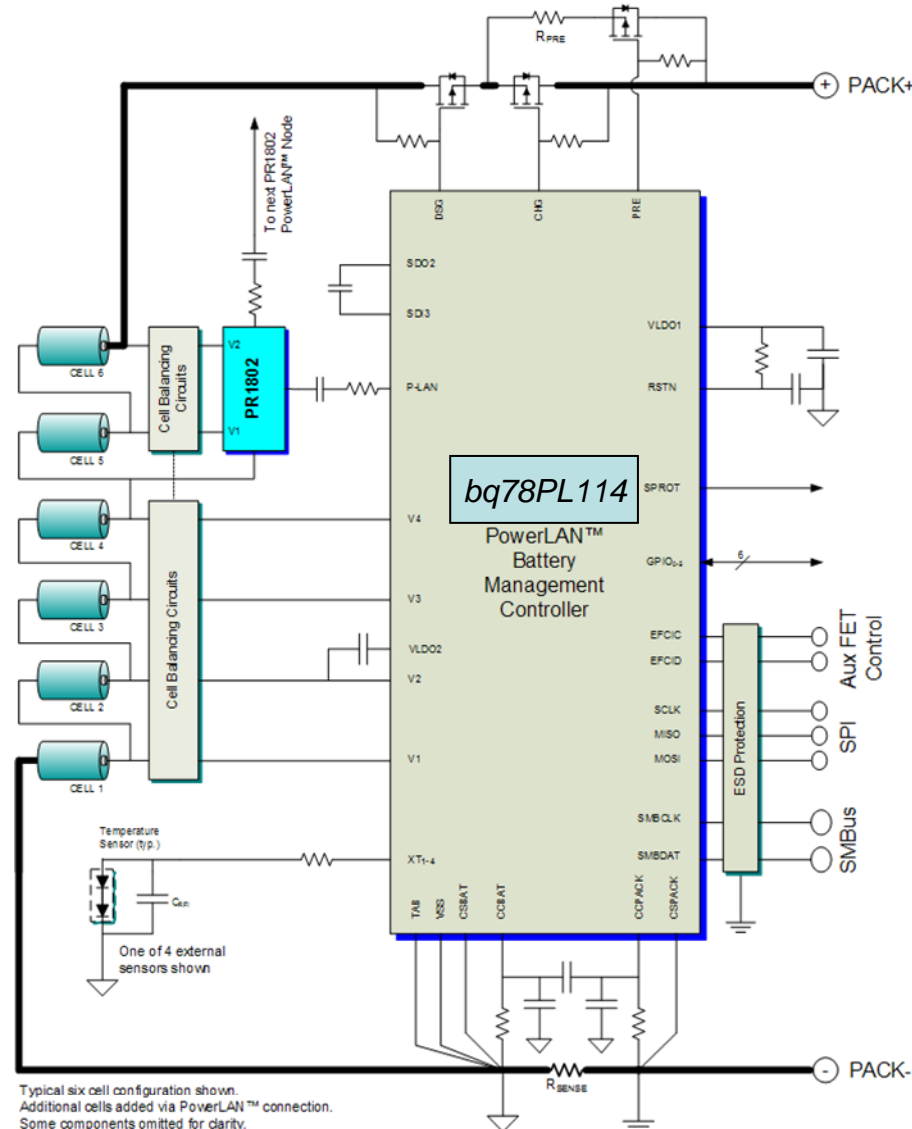


6-Cell Example Schematic

bq78PL114 Gateway Controller with Four Cell Monitor & PowerPump™ Cell Balancing

bq76PL102 Dual Cell Monitor with PowerPump™ Cell Balancing

- Optional SMBus, I²C, or SPI External Communications to System





Battery Management - Protection

PowerLAN™ *bq77PL9xx* Family

Low-Cost Protection & Measurement

- Single IC Solution for 4 to 10 Series Cells
- Simple Cell Balancing
- Multiplexed Analog-to-Digital Converter for Measurements
- Safety Comparators for Fast Response to OV, UV, OT
- I²C External Interface (Host Mode only)
- Built in Low-Drop-Out Regulator

Single IC Option:

- *bq77PL900* Five to 10 Cell Precision Protector
 - Stand-Alone or Host Mode
 - I²C Interface in Host Mode
 - High-side FET drive
 - Analog Front End for Precision Measurements
- Additional Products in Development

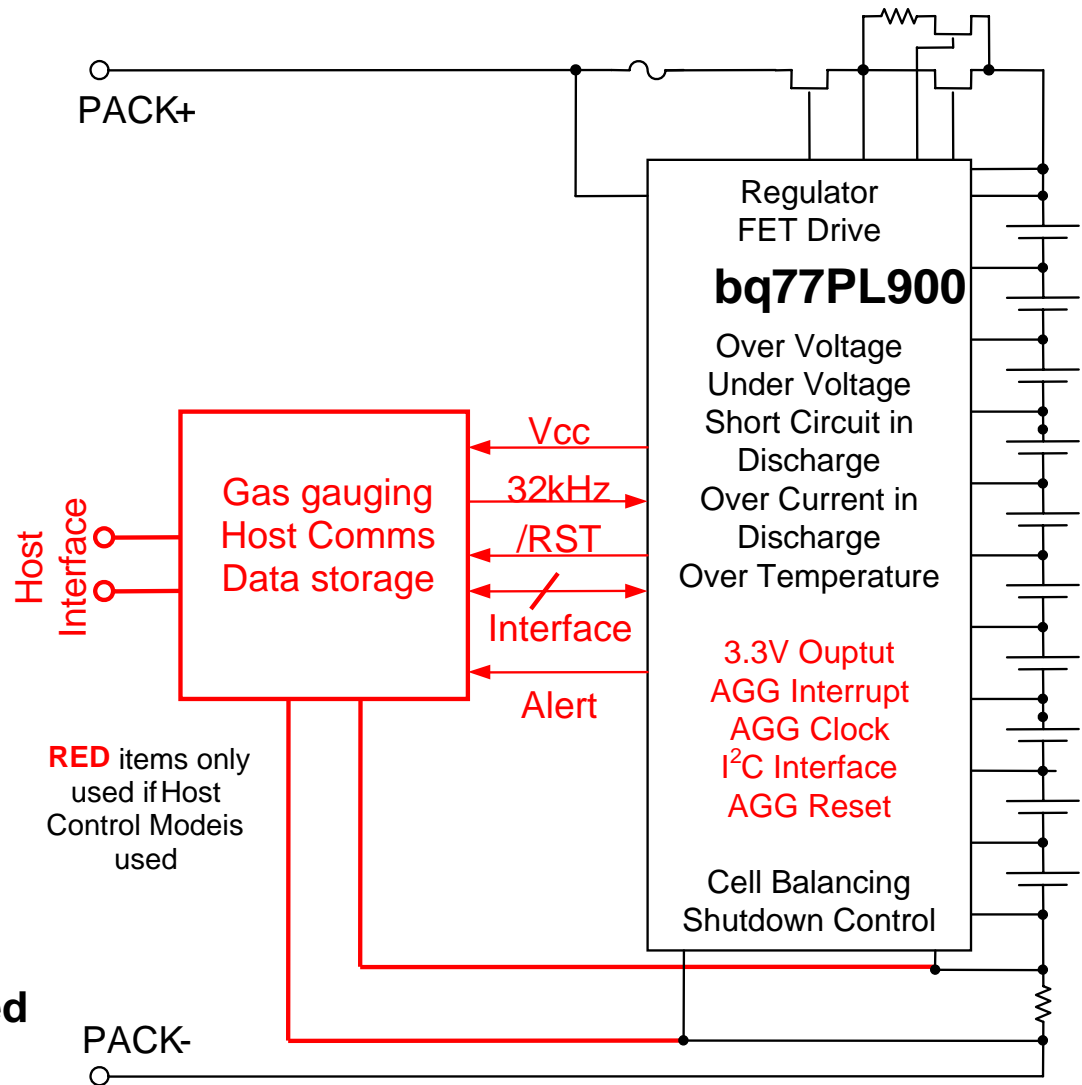


bq77PL900 5 – 10 Cell Monitor & Protector

bq77PL900
5 – 10 Cell
Monitor & Protector

Features:

- Vcell Measurement Output
- 5 Volt, 25mA Regulator
- 3.3 Volt, 25 mA Regulator
- OV, UV, OT Protection
- OC & SC Protection
- I²C Host Interface
- Simple Cell Balancing
 - Automatic or Host Driven
- High-side FETs
- 50 V Maximum Vcc
- -20' to +85'C Operating
- Stand-Alone or Host Controlled Operation





Roadmap & Timing

Product Roadmap

bq76/78PL1xx Stackable Monitor Family

- ***bq76PL102/104*** Dual & Quad Cell Monitors with PowerPump™ Cell Balancing
 - Samples 1Q-2008
- ***bq78PL112/114*** Gateway Controllers With Cell Monitors & PowerPump™ Cell Balancing
 - Samples 2Q-2008

bq77PL9xx Precision Protectors

- ***bq77PL900*** Five to 10 Cell Monitor & Precision Protector
 - Samples 1Q-2008 - Production 2Q-2008



PowerPump™ Cell Balancing

Cell-to-Cell Energy Transfer: PowerPump™

- Efficient & Safe
- More Efficient than Bypass (Bleed) Balancing - No Heat
- True Equalization - Can Operate during Charge, Idle, or Discharge

Why Cell Balancing?

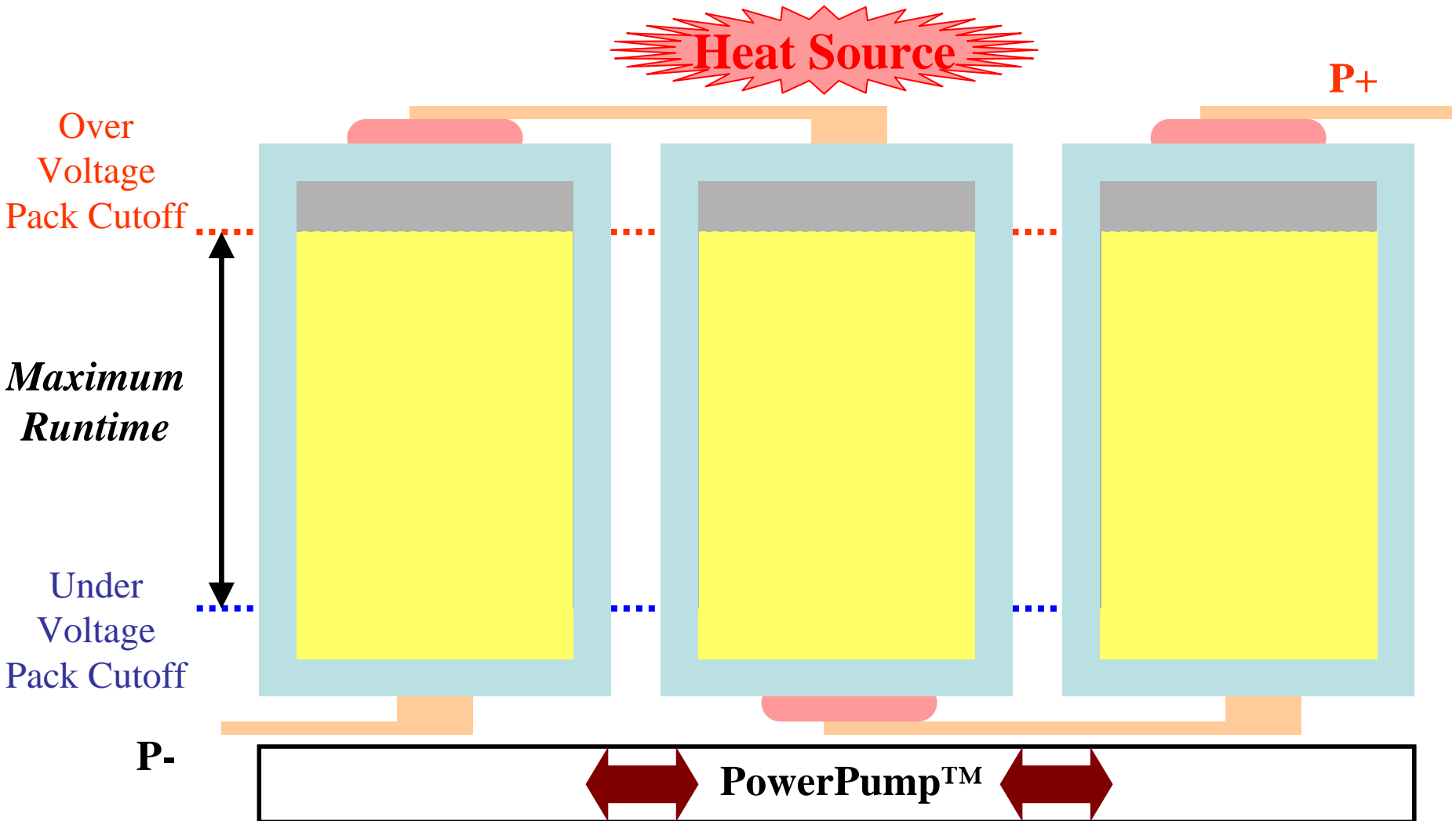
- Prevents Cell Abuse
- Assures Proper and Safe Cell and Pack Charging
- Maximizes Useable Cycle Life and Runtime
- Detects and Diagnoses Cell Anomalies



PowerPump™ Cell Balancing

Maximum Runtime ... Every time

Standard





Summary & Wrap-Up

- **Summary & Wrap Up**

Next Steps