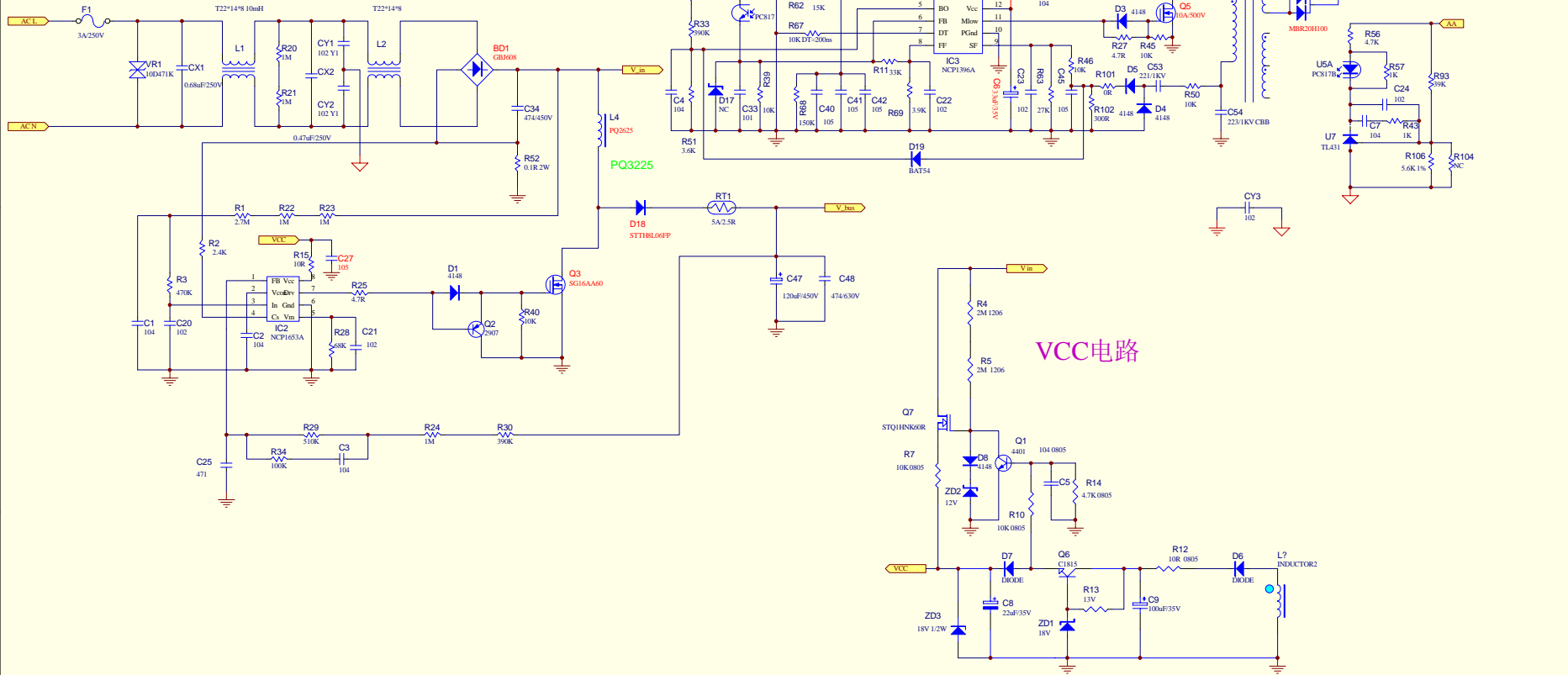


AC输入110-264



VCC电路

Title		200W LCD TV power	
Size	Number	Revision	08/07/16
C			REV:A02
Date:	3-Aug-2008	Sheet of	
File:	E:\300W PV\0A\300W_110-264\PCB.Dwg	Drawn By:	