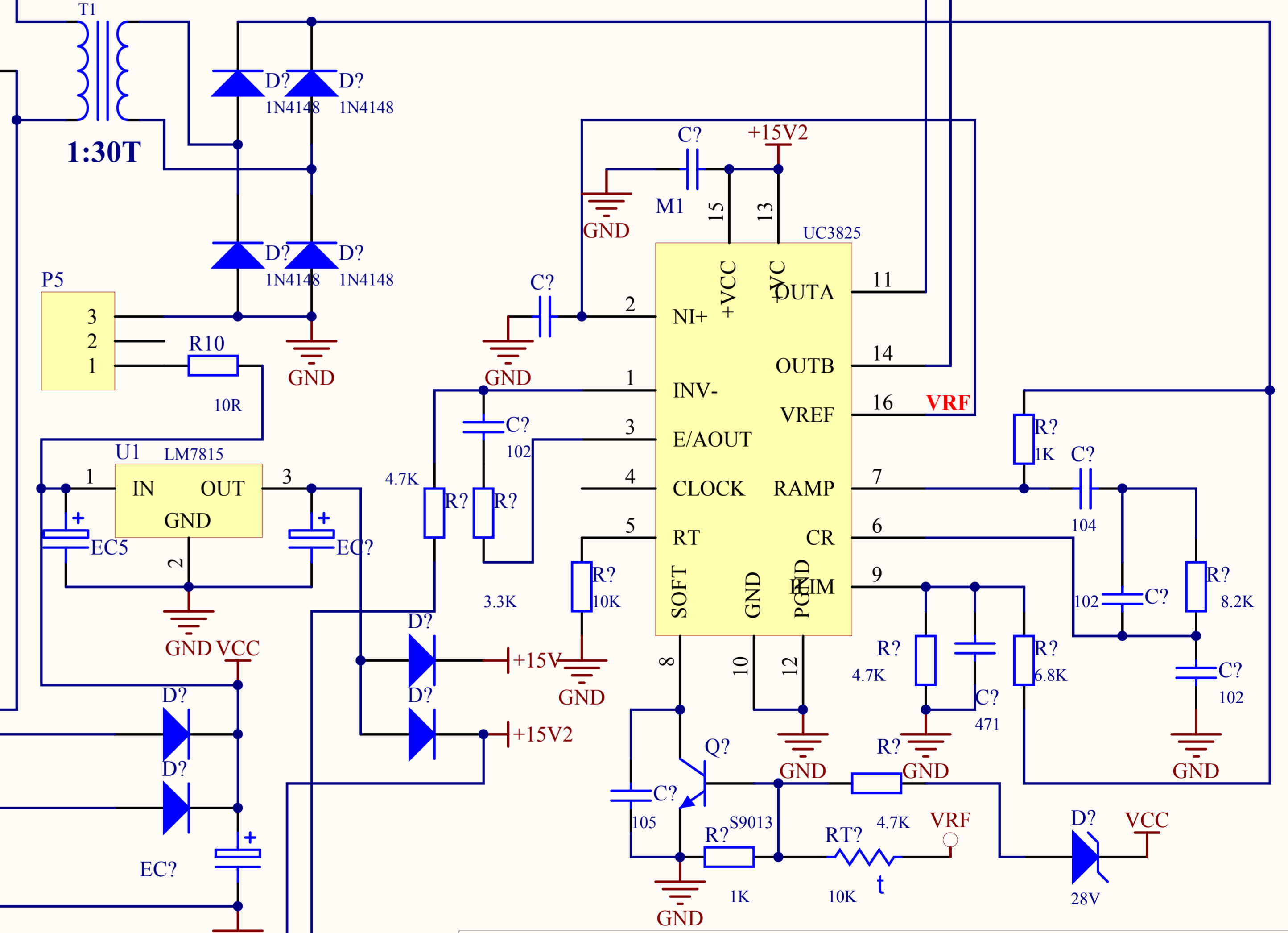
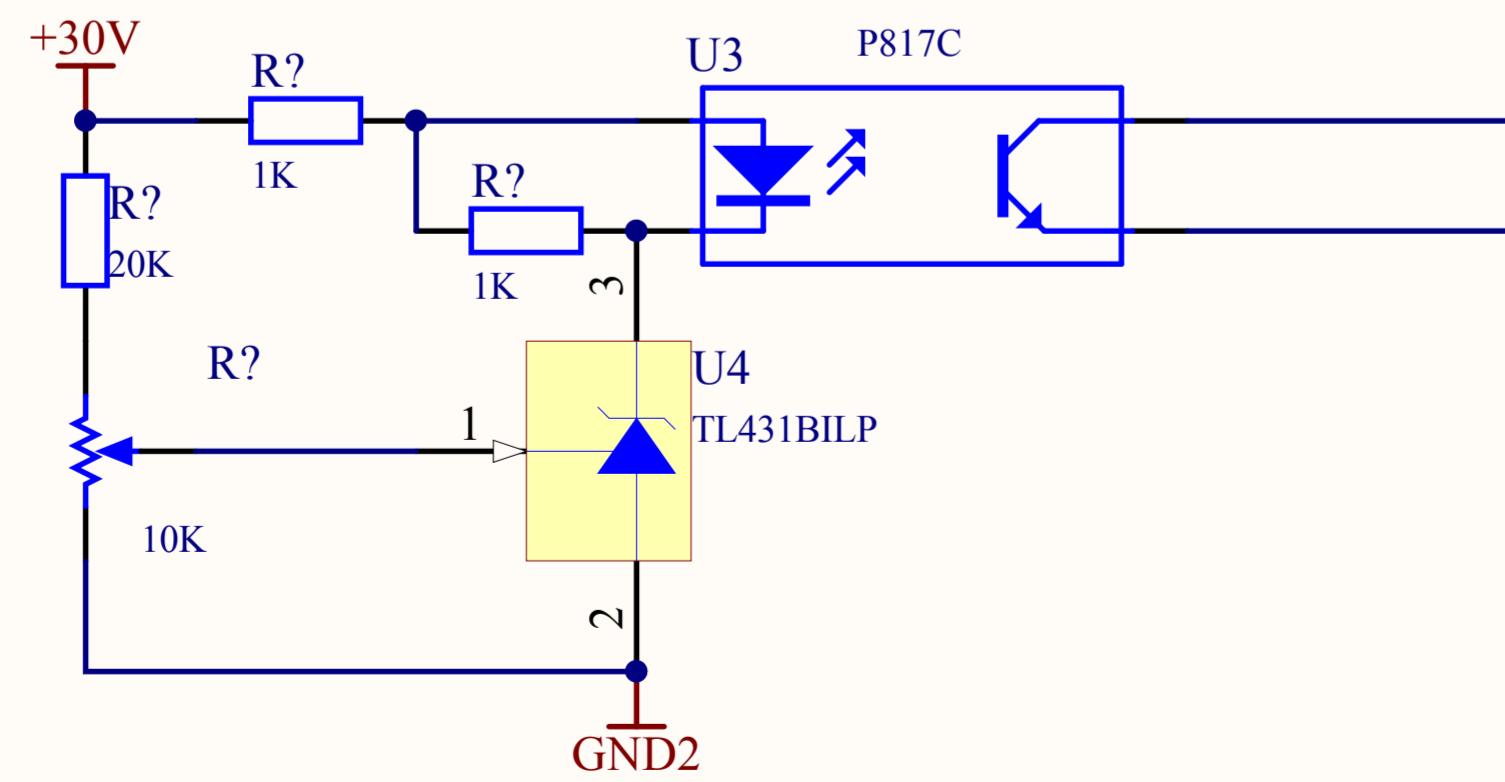
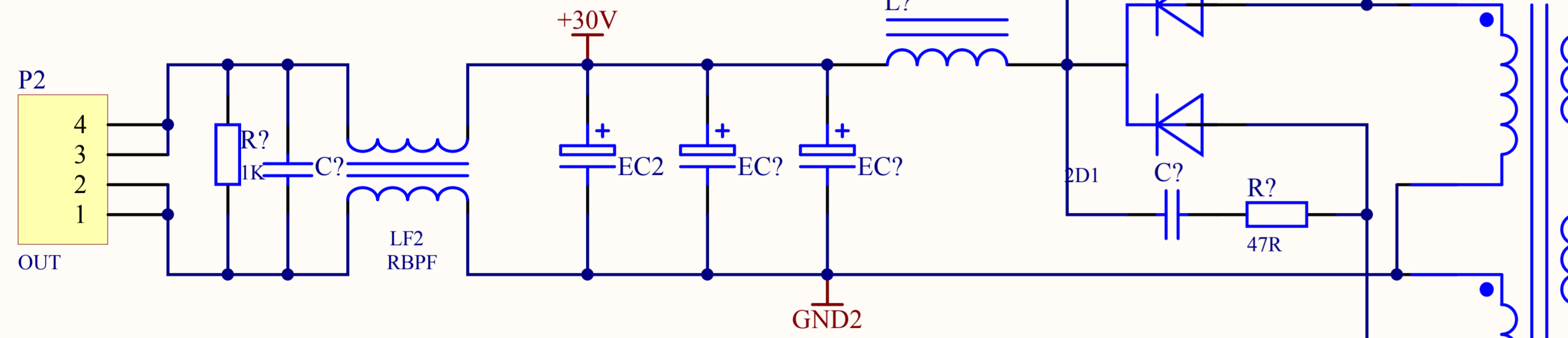
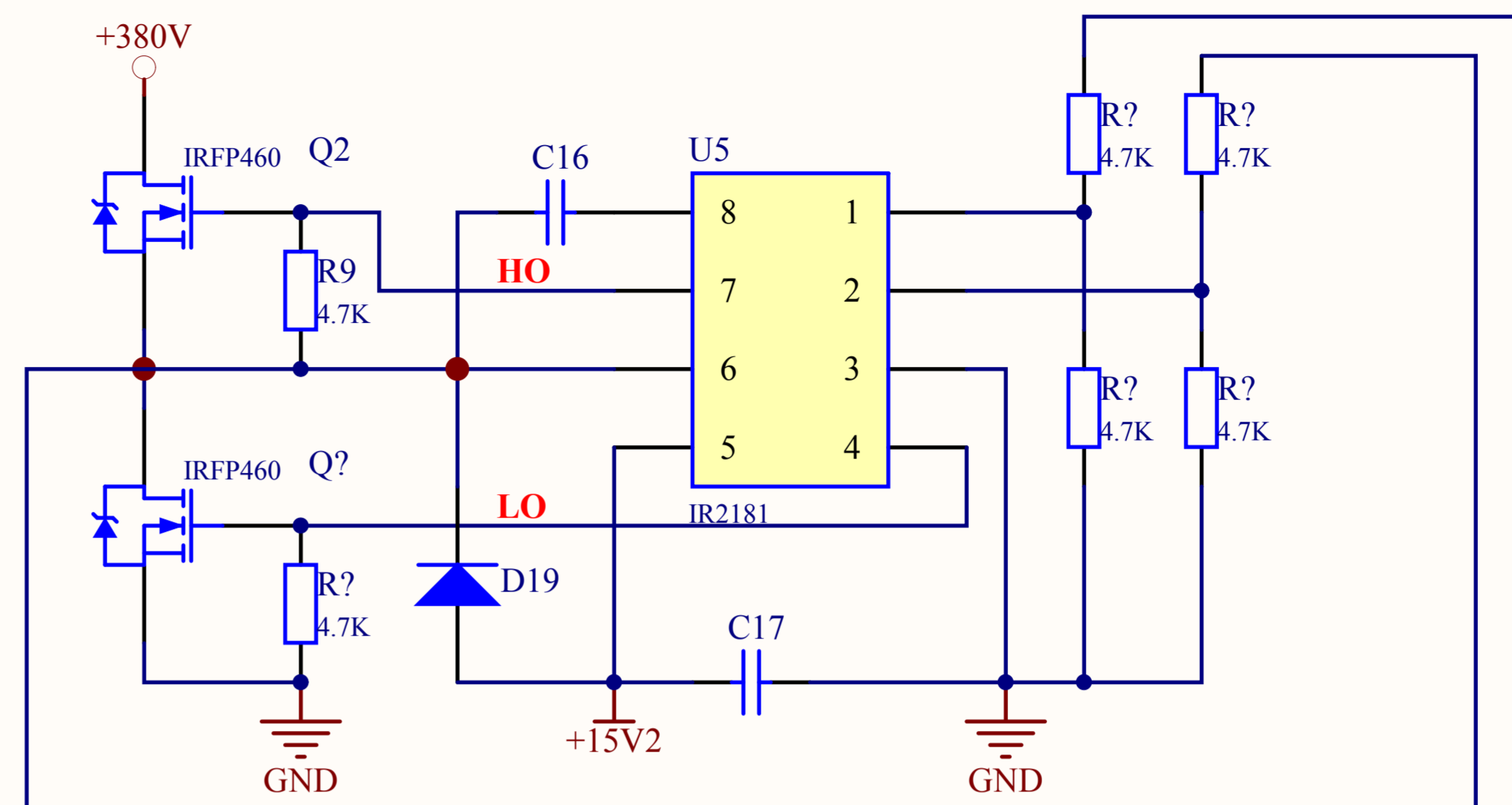
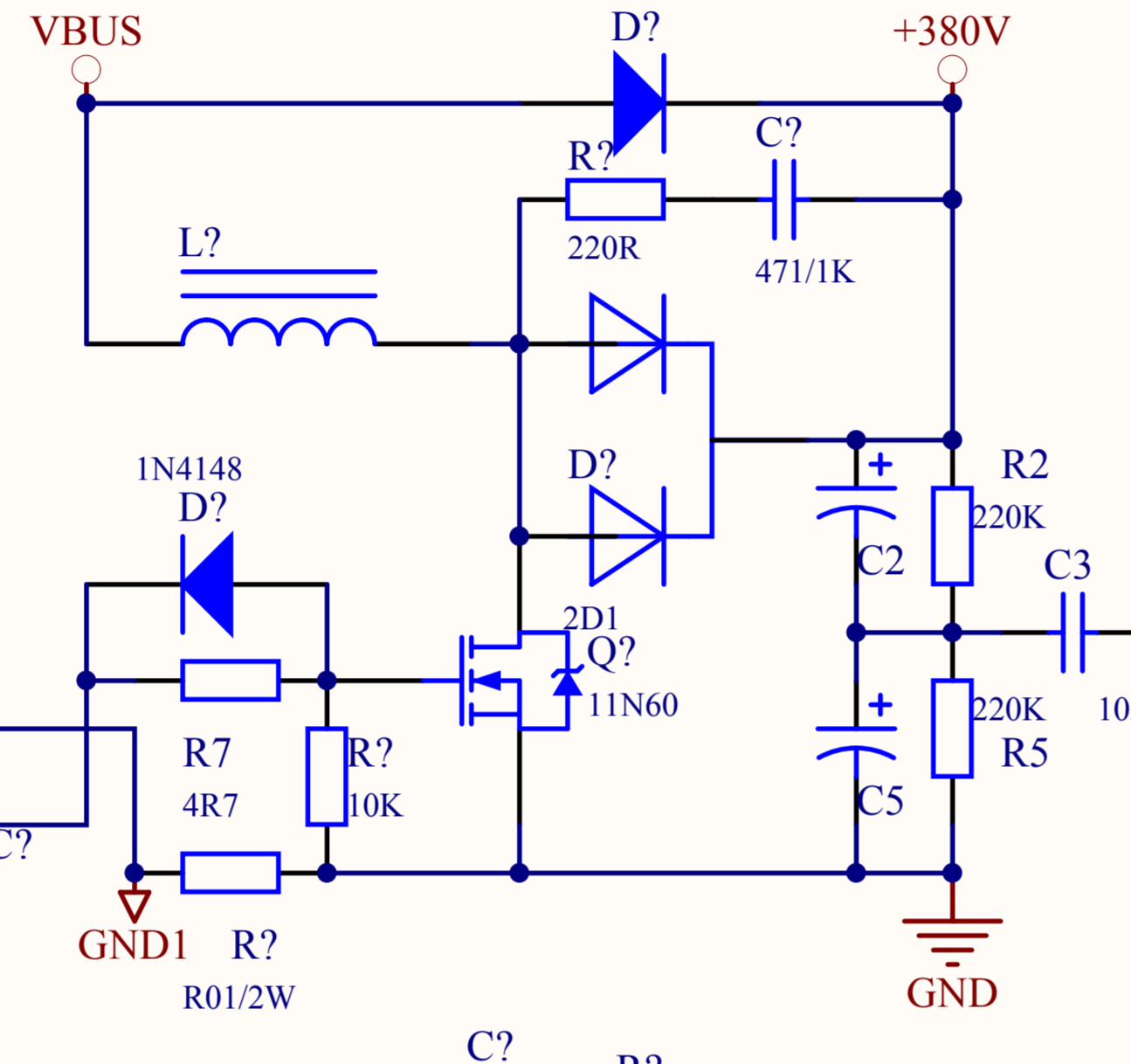


IR1150PFC



Title <b>500W</b>		
Size A4	Number	Revision
Date: 2008-11-11	Sheet of	
File: E:\pcb\NEN.Sch	Drawn By:	