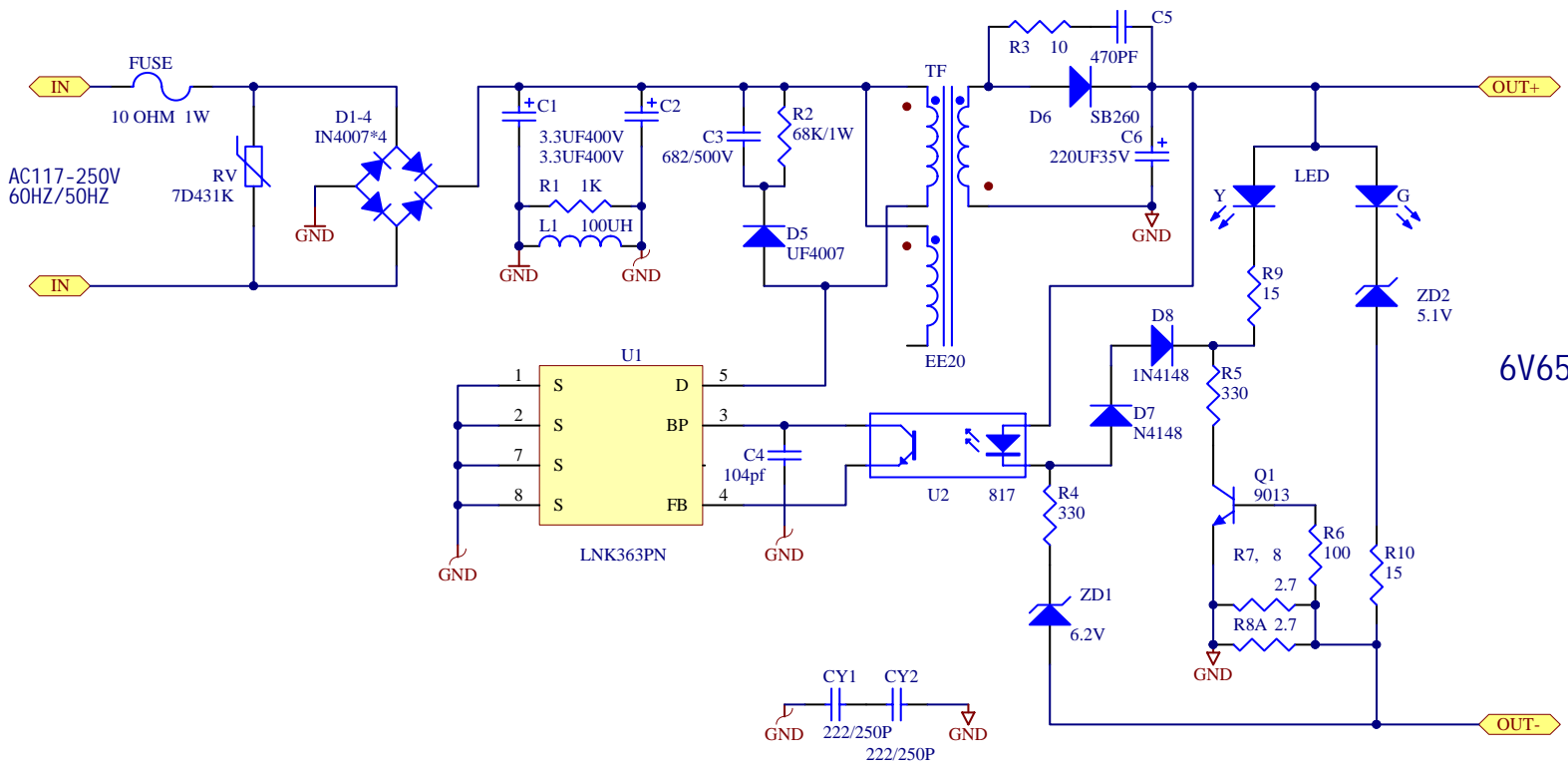


CIRCUIT DIAGRAM



6V650mA

MODEL	6VMP	SCALE	
File	G\USR\		
DESIGNED BY	李四伟	DATE	
DRAWN BY	李四伟	DATE	
CHECKED BY	雷超	DATE	