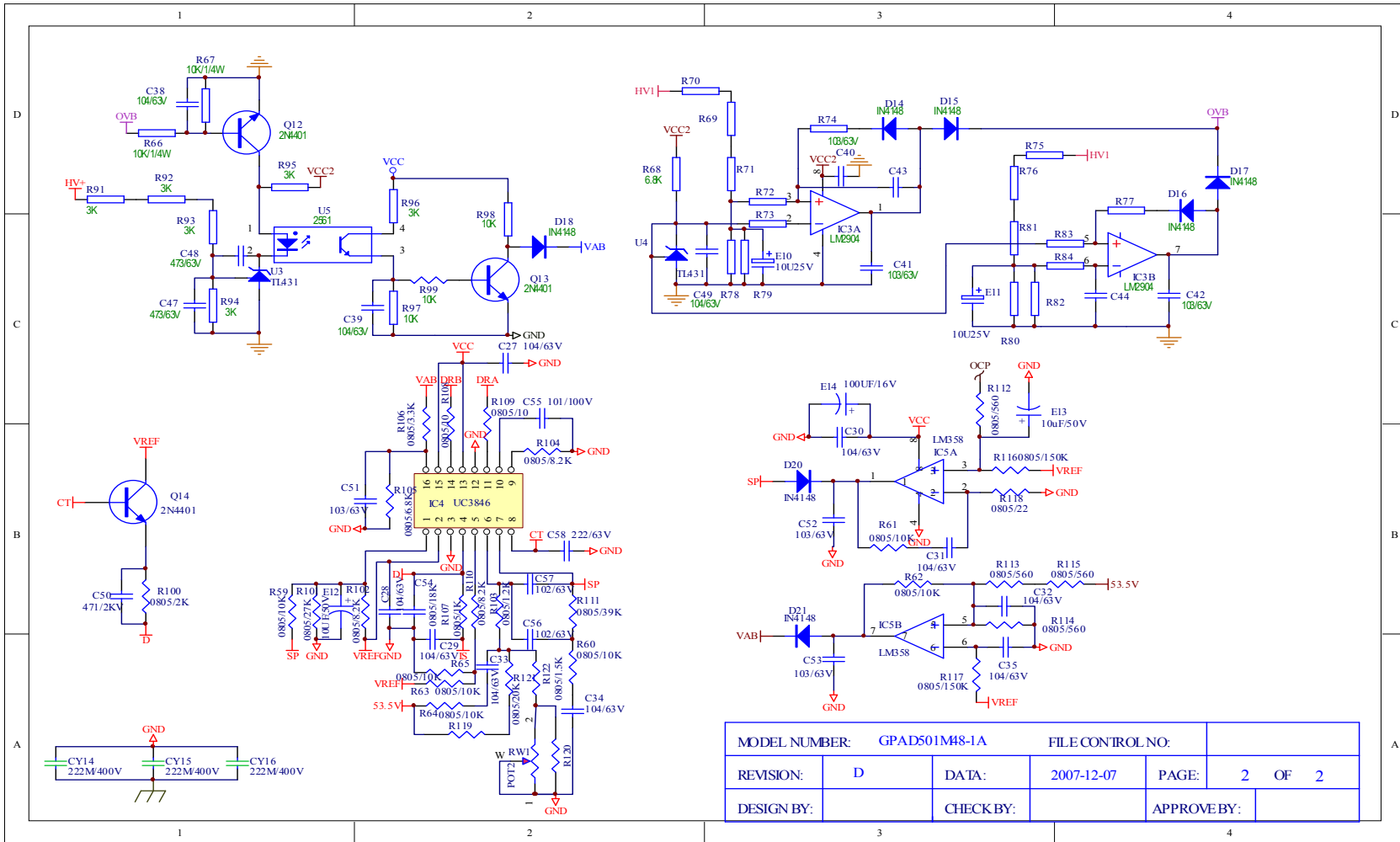


MODEL NUMBER: GP-AD501M4-1A		FILE CONTROL NO.:	
REVISION: D	DATA: 2007-12-07	PAGE: 1	OF 2
DESIGN BY:	CHECK BY:	APPROVE BY:	



MODEL NUMBER: GPAD501M48-1A		FILE CONTROL NO:	
REVISION: D	DATA: 2007-12-07	PAGE: 2	OF 2
DESIGN BY:	CHECK BY:	APPROVE BY:	