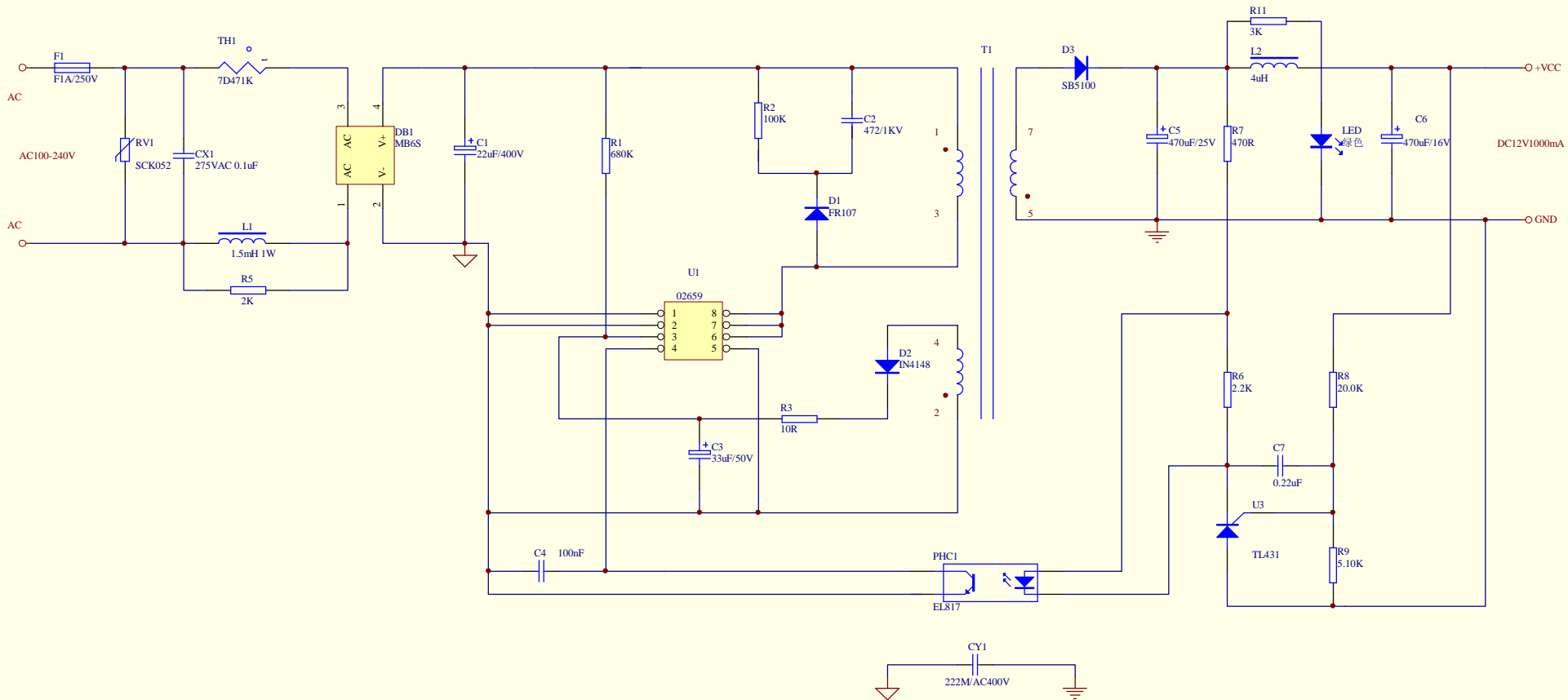
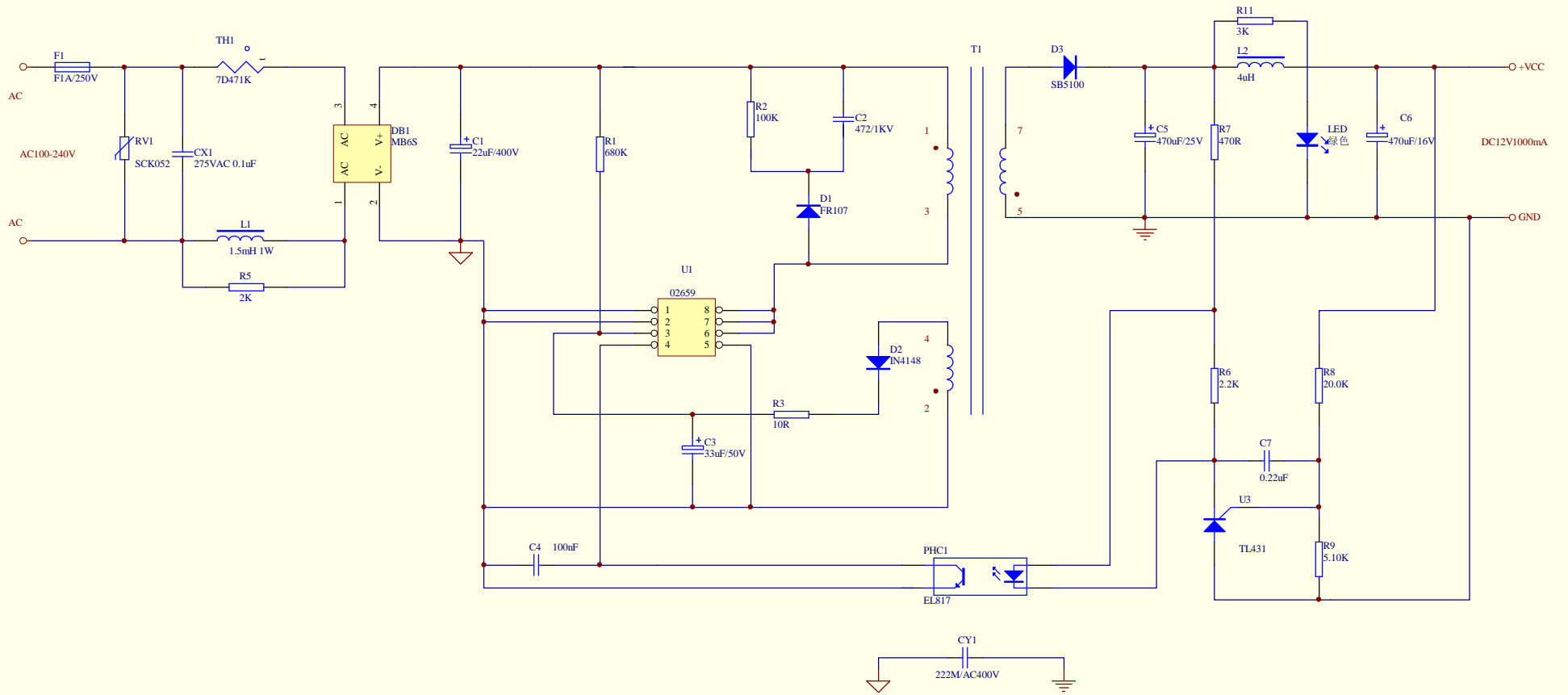


Title		
K-19C 12V 1000mA		
Size	Number	Revision
B		
Date:	6-Dec-2008	Sheet of
File:	E:\认证申请资料\3C资料\K-19C\K-19C 1000mA	Drawn By:



Title		
K-19C 12V 1000mA		
Size	Number	Revision
B		
Date:	6-Dec-2008	Sheet of
File:	E:\认证申请资料\3C资料\K-19C\K-19C 12V 1000mA	Drawn By:



Title		
K-19C 12V 1000mA		
Size	Number	Revision
B		
Date:	6-Dec-2008	Sheet of
File:	E:\认证申请资料\3C资料\K-19C\K-19C 12V 1000mA	Drawn By: