

## 3Watt,Single AC-DC Converter



### FEATURES:

- AC/DC Power Module
- Universal Input 85~265VAC
- High Efficiency Up To79%
- Short Circuit Protection
- Internal Input Filter
- 2 Years Warranty



Specifications typical at TA=25°C, nominal input voltage and rated output current unless otherwise specified

Part Number	Input Voltage	Output Volatge	Output Current	Efficiency
	Vac	Vdc	mA	%
GA003-S03-01	85~265	3.3	900	72
GA003-S05-01	85~265	5	600	75
GA003-S12-01	85~265	12	250	78
GA003-S15-01	85~265	15	200	78
GA003-S24-01	85~265	24	125	79

### Input Specifications

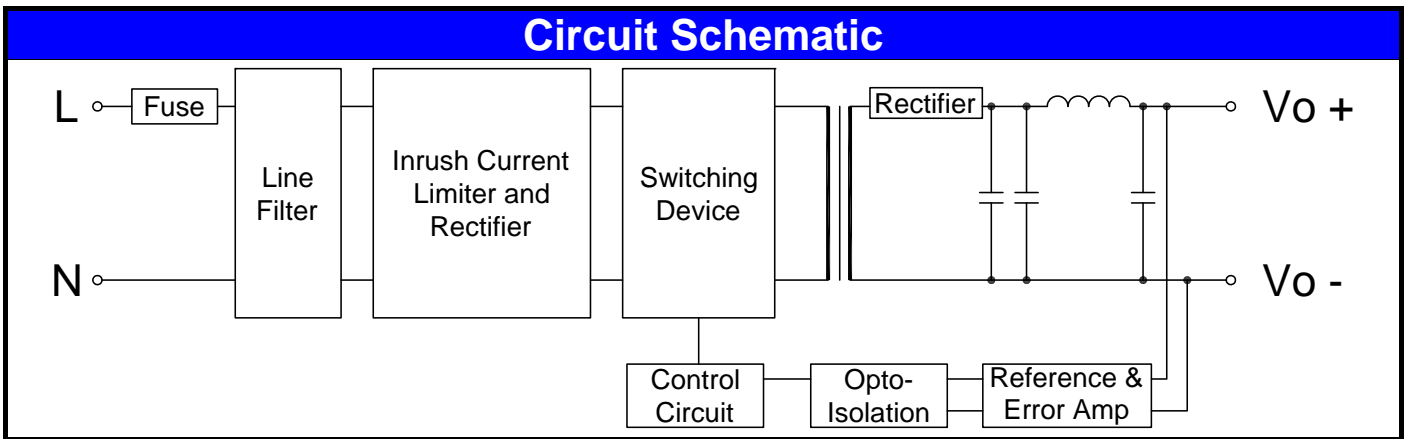
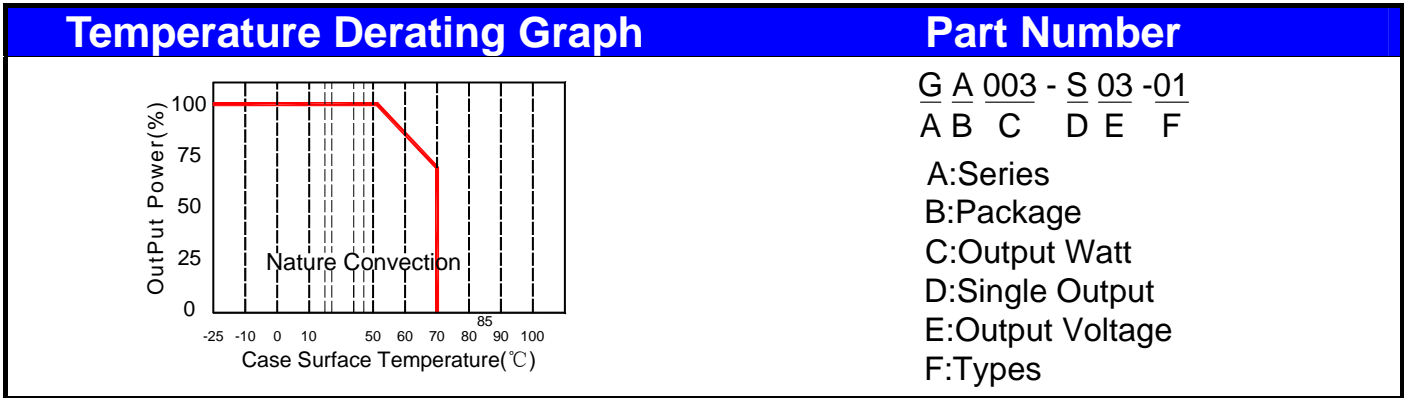
Parameters	Conditions	Min	Typ	Max	Units
Rated input voltage	Io nom	100		240	VAC
Input voltage range	Io	85		265	VAC
	AC in	120		370	VDC
Line frequency	Vi nom, Io nom	47	50/60	63	Hz
	Io nom			10	A
Inrush current	Vi:115VAC			18	A
	Vi:230VAC				A

### Output Specifications

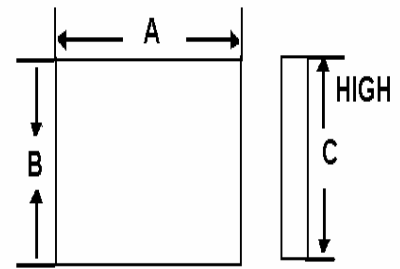
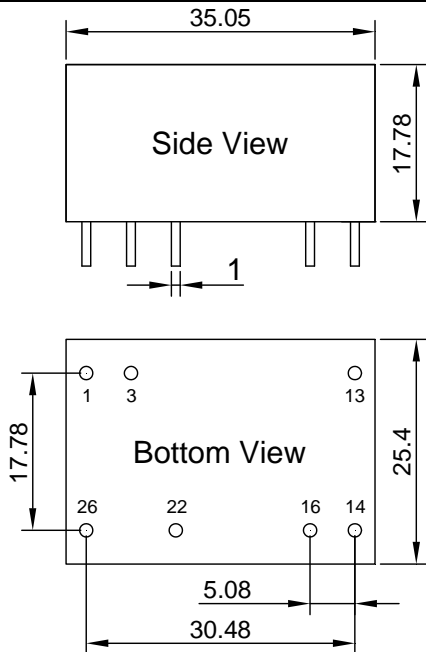
Parameters	Conditions	Min	Typ	Max	Units
voltage accuracy	Vi nom, Io nom			±2	%
Minimum load	Vi nom		See models list		%
Line regulation	Io nom, Vi min... Vi max			±1	%
Load regulation	Vi nom, Single output models			±2	%
Transient recovery time	Vi nom, Io nom=I <sub>o</sub> → 0.5I <sub>o</sub> nom		300		uS
Temperature coefficient	Vi nom, Io nom			±0.02	%/°C
Ripple & noise	Vi nom, Io nom, BW=20MHz			150	mVp-p
Efficiency	Vi nom, Io nom, Po/Pi		Up to 79%, See models list		

### General Specifications

Parameters	Conditions	Min	Typ	Max	Units
Switching frequency	Vi nom, Io nom		100		KHz
Isolation voltage	Input / output	1500			VAC
Isolation resistance	Input / output, @500Vdc	100			MΩ
Ambient temperature	Operating at Vi nom, Io nom	-20		+70	°C
Case temperature	Operating at Vi nom, Io nom			+85	°C
Derating	Vi nom, Io nom +51 to +71°C			2	%/°C
Storage temperature	Nom operational	-40		+100	°C
Relative humidity	Vi nom, Io nom			95	% RH
Dimension	L35.05 x W25.40 x H17.78				mm
Cooling	Free air convection				
Case material		Black Coated Copper With Non-Conductive Base			



Markings and dimensions	Packaging
-------------------------	-----------



Size(mm)		
A	B	C
54.00	50.30	30.00

UNIT: mm Unless otherwise specified, all tolerances are  $\pm 0.25$

PIN Connection							
PIN	1	3	13	14	16	22	26
Function	L	N	NC	-Vout	+Vout	+Vin(DC)	-Vin(DC)