

6

5

4

3

2

1

D

C

B

A

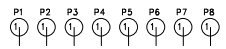
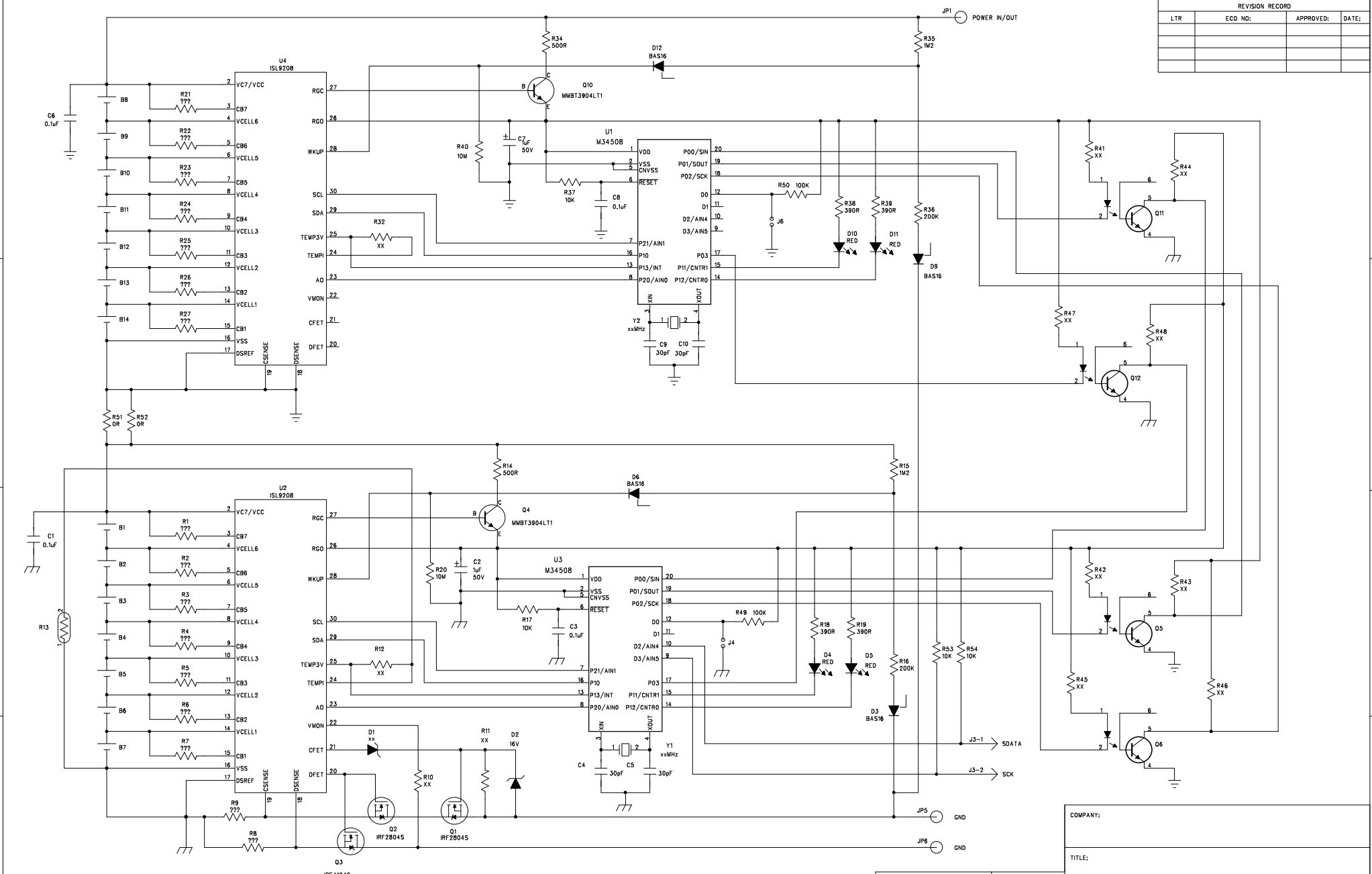
D

C

B

A

REVISION RECORD			
LTR	ECO NO:	APPROVED:	DATE:



DRAWN:	DATED:
CHECKED:	DATED:

COMPANY:			
TITLE:			
CODE:	SIZE:	DRAWING NO:	REV: B
SCALE:			SHEET: 1 OF 1