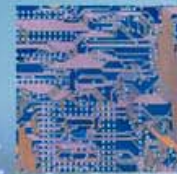


AP8800 & AP8801 Introduction

Dec 2008



DIODES
I N C O R P O R A T E D

Power Management Business Unit

AP8800 Features:-

LED driving current up to 350mA in buck topology

Max. Vin 28V, compatible with 12V & 24V standard systems

High efficiency up to 92%

High switching frequency up to 0.6MHz minimum

PWM/DC input for dimming control

Built-in soft-start function

Built-in output open-circuit protection

Operating temperature from -25 to 85 deg C.

SOP-8L, MSOP-8L, DFN3030-10 are available in “Green” Molding Compound (No Br, Sb)

Lead Free Finish/RoHS Compliant



AP8800 Block Diagram & Application



Target Application:-

MR16 LED Lighting

HB LED 12/24V Solar Lighting

Commercial Lighting

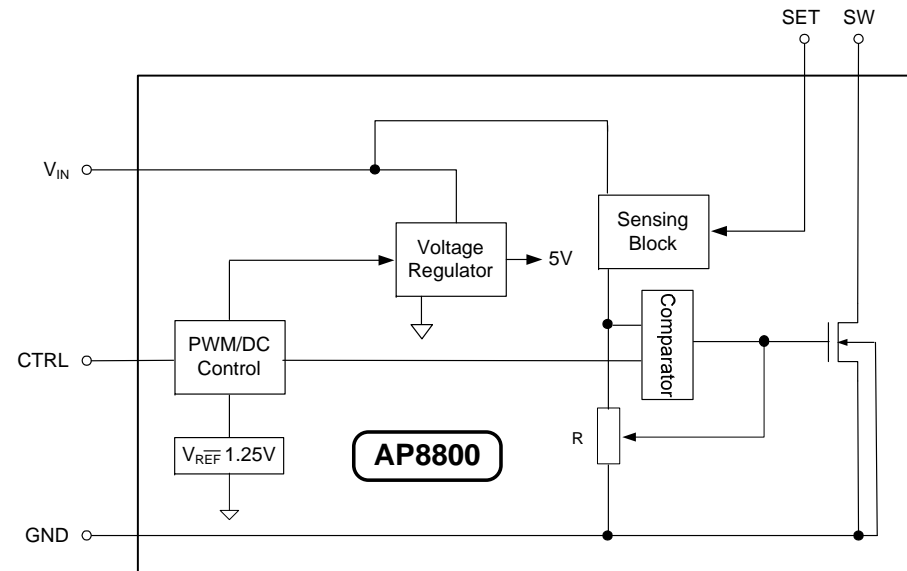
LCD panel backlighting

Light bar in decorative lighting

Other possible matching devices:-

Diodes B140 Schottky diode or

ZLLS1000TA from Diodes Zetex



Multi-function CTRL Pin

1. On/OFF
2. Soft-start
3. PWM dimming
4. DC dimming

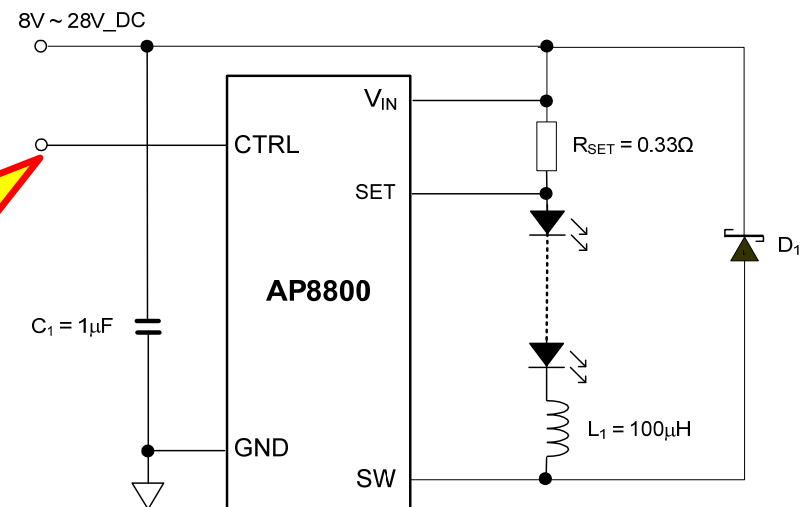


Figure 1: Typical Application Circuit



Features of AP8801:

- LED driving current up to 1A
- V_{in} max. 48V, compatible with 12V & 24V standard systems
- High efficiency up to 92%
- High switching frequency up to 500KHz.
- PWM/DC input for dimming control
- Built-in soft-start function
- Built-in output open-circuit protection
- SOP-8L, MSOP-8L, DFN3030-10 are available in “Green” Molding Compound (No Br, Sb)
- Lead Free Finish/RoHS Compliant



AP8801 block diagram and Application



Target Application:

- Commercial & industrial lighting
- Small LCD panel backlight
- Appliance interior lighting
- Architectural lighting
- HB LED 12/24V solar lighting
- LED Street lighting

Possible diodes for D1:

Schottky diode, e.g. B2100,

Multi-function CTRL Pin

1. On/OFF
2. Soft-start
3. PWM dimming
4. DC dimming

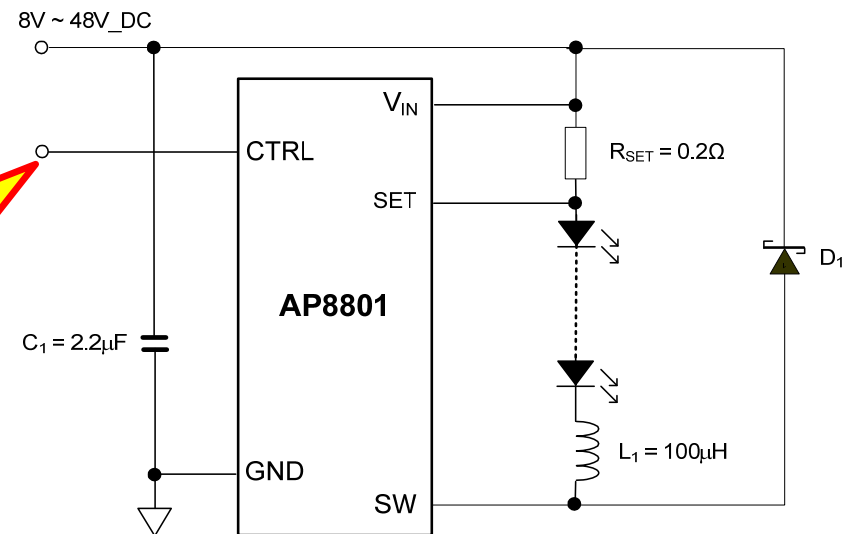
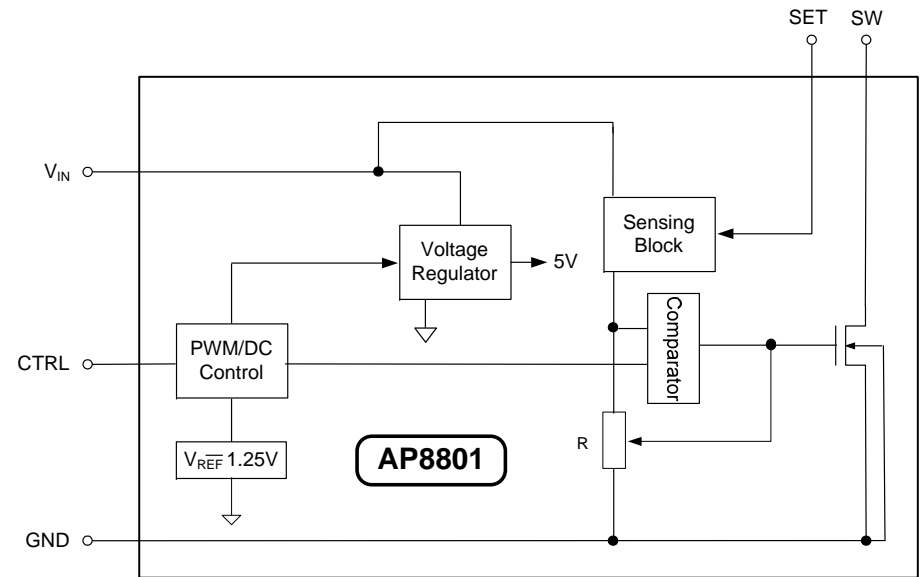
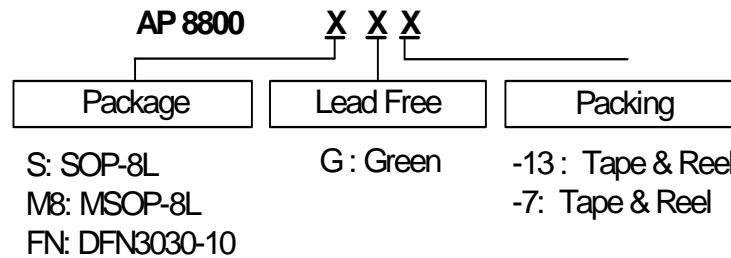


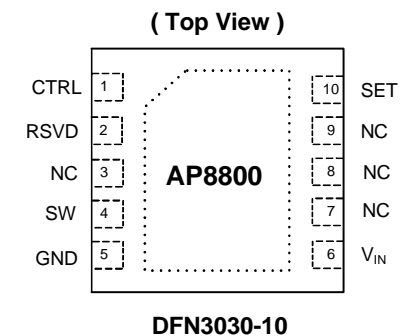
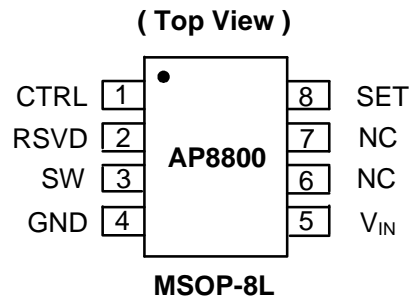
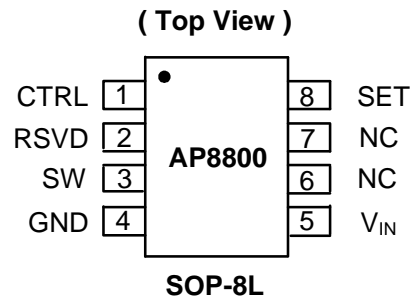
Figure 1: Typical Application Circuit



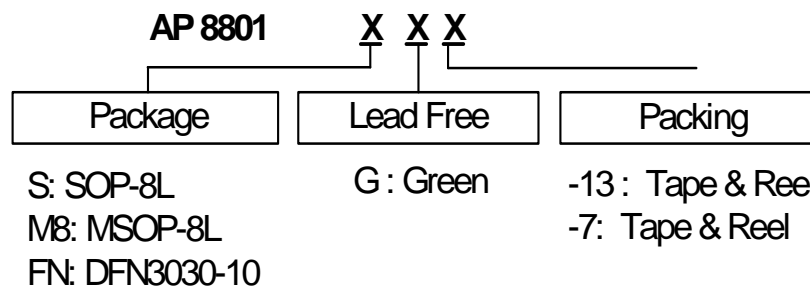
Packages and Ordering (AP8800)



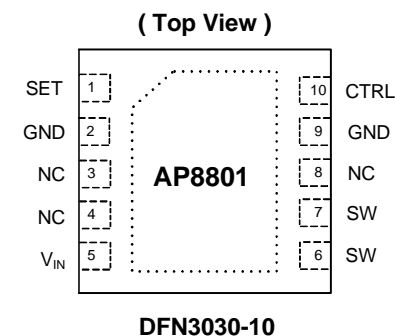
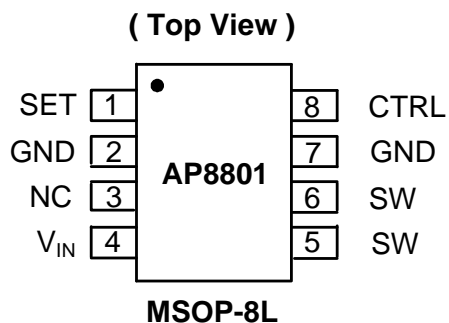
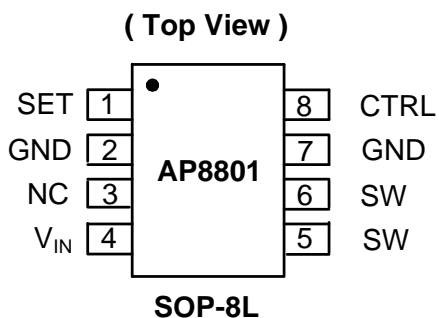
Device	Package Code	Packaging (Note 2)	Tape and Reel	
			Quantity	Part Number Suffix
AP8800SG-13	S	SOP-8L	2500/Tape & Reel	-13
AP8800M8G-13	M8	MSOP-8L	2500/Tape & Reel	-13
AP8800FNG-7	FN	DFN3030-10	3000/Tape & Reel	-7



Package & Ordering (AP8801)



Device	Package Code	Packaging (Note 2)	Tape and Reel	
			Quantity	Part Number Suffix
AP8801SG-13	S	SOP-8L	2500/Tape & Reel	-13
AP8801M8G-13	M8	MSOP-8L	2500/Tape & Reel	-13
AP8801FNG-7	FN	DFN3030-10	3000/Tape & Reel	-7



- Dual brand strategies to gain extra market share at entry level category.
- Push for design-in when price to performance ratio does not match ZXLD1350/52/56/60/66.
- Kit sales to include the cost effective schottky diodes from Diodes.
- Very good price to performance ratio(eg. Higher V_{in} up to 48V) & more packages choices (MSOP8, SO8 and DFN)
- Target the potential volume applications: eg MR16, general lightings etc..
- Promote aggressively to win high volume projects



HK/China:

GE Shanghai

Primo Shanghai

Kin Tat SZ

ENW SZ

Civilight SZ

Foxconn (Lighting team)

Tiawan

Primo TW

Foxconn (Lighting team)

AVC (LED division in TW & China)

OSRAM Taiwan (and their end customers)

Korea/Japan

SSC and their end customers

OSRAM/Stanley/Sharp/Citizen and their end customers

Future Korea and Japan



SWOT Analysis (AP8800/01)

Strength

- ◆ Up to 48V Vin
- ◆ 3 package choices
- ◆ DFN for space constraint design
- ◆ Operating temperature up to 105degc (AP8801)
- ◆ Diodes brand name to address entry level segment

Opportunities

- ◆ Rapid growth of HB LED market
- ◆ Best fit in low cost LED MR16 solution
- ◆ Extremely cost effective to address the low end market

Weakness

- ◆ Relatively relaxed specification on DS
- ◆ Wider tolerance on some parameters

Threat

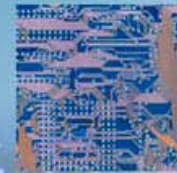
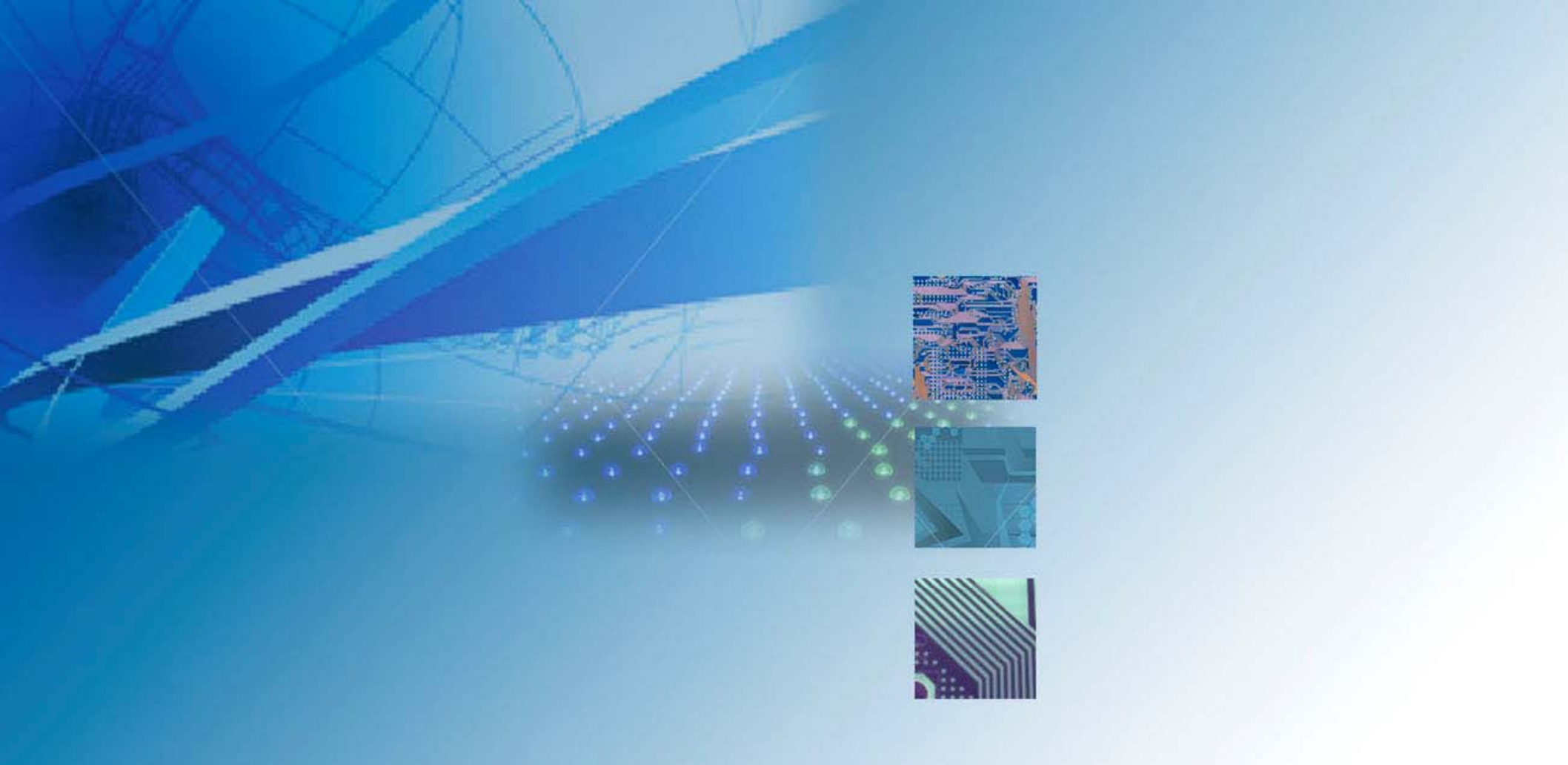
- ◆ Customers awareness on the Diodes HB LED drivers
- ◆ Recent financial crisis slow down the demands
- ◆ Aggressive price erosion anticipated



Competition

Supplier	Diodes	Diodes	MPS	OnSemi	μBridge (ADDTek)	μBridge	PowerTech	PAM (Power Analog Electronics)	Chong Po	Maxim	Supertex
Part No.	AP8800	AP8801	MP2370	NCP3065	AMC7150	PT4105	PT4115	PAM2862	LCCZ8500 SV	MAX16820	HV9910
Input voltage	8 ~ 28V	8 ~ 48V	4.5 ~ 24V	3 ~ 40V	4 ~ 40V	5 ~ 18V	8-30V	6-24V	7-33V	4.5 ~ 28V	8 ~ 450V
Current sensing voltage	100mV	200mV	150mV	235mV	300mV	200mV	100mV		100mV	200mV	250mV
Continuous output current	0.35A	1A	< 1A	<1.2A	< 1.2A	<0.7A	1.2A	Up to 1.4A (from datasheet)	Up to 1A	>1A (ext. mosfet)	>1A (ext. MOSFET)
Efficiency	92%	92%	< 92%	80 ~ 93%	80%	> 90%	>90%	>90%	Up to 97%	> 90%	>90%
Number of ext components	3	3	5	8	5	7	3	4	4	6	6
Current Accuracy	- 8%	- 8%	-	± 5% ~ 10%	± 9.1%	± 5% ~ 10%	Typical 5%	Typical 4%	8-10%	± 5%	No
Switching frequency	0.5MHz max	0.5MHz max	1.4MHz fixed	250KHz max	0.2MHz max	0.5MHz max	1MHz	Up to 1MHz	Up to 1MHz	2MHz max	0.3MHz max
Dimming	PWM/DC	PWM/DC	-	No	PWM	DC	DC/PWM	DC/PWM	PWM	PWM	PWM
Package	MSOP-8L (4.9x3mm) SOP8 & DFN	MSOP-8L (4.9x3mm) SOP8 & DFN	TSOT26 (2.8x2.9mm)	DFN4040-8 SOP-8L PDIP-8L	TO252 (6.6x9mm)	SO8 (4.9x6mm) + mosfet	SOT89-5 (4.5 x 2.5mm)	SOT23-5 and MSOP8	SOT23-5	DFN (3x3mm) + mosfet	SO8 (4.9x6mm) + mosfet
Operating Temperature	-25 ~ 85°C	-25 ~ 105°C	-40 ~ 85°C	-40 ~ 105°C	-40 ~ 85°C	-40 ~ 85°C	-40 ~ 85°C	-40C ~ 105C	-40 ~ 85°C	-40 ~ 125°C	-40 ~ 85°C
ASP (US\$)	competitive	competitive	0.19 ~ 0.27	0.27 ~ 0.35	0.22 ~ 0.25	0.22 ~ 0.28	0.3-0.35	0.45-0.5	0.42-0.45	0.33 ~ 0.35	0.35-0.38
Promotion status	New	New	Active	Just started	Active	Active, old device	Active	Just started (Sept 08)	??	Active	active





Thank You

DIODES
I N C O R P O R A T E D