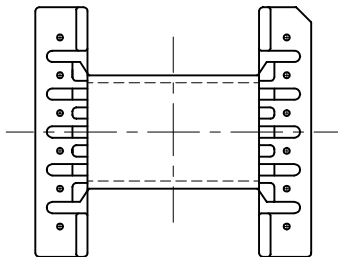
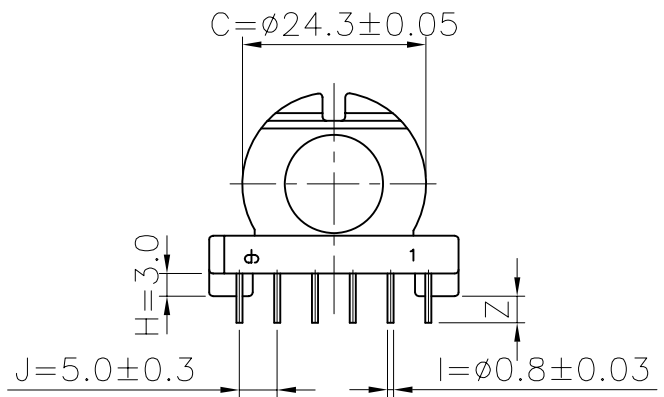
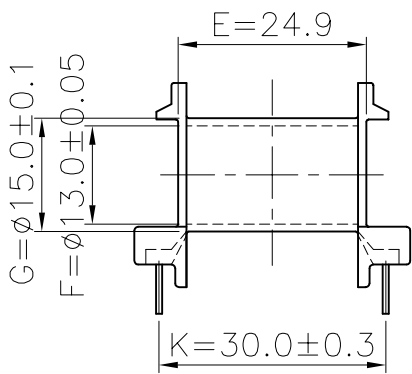


SECTION A-A



△4							
△3							
△2							
△1							
MARK	REVISION NOTE			DATE	DRAWN	CHECKED	APPROVED

DRAWN	CHECKED	APPROVED	MATERIAL : PHENOL	UL REC. : UL94V-0	THIRD ANGLE PROJ.	SCALE : 1/1
Min Ah, Cho	Young Hwan, Seo	Jin Oh, Yoo	Z : PIN LENGTH (According to customer's request)	DATE : 2003.01.29	TOLERANCE : ±0.2 (Unless otherwise specified)	UNIT : m/m
주식회사 대흥보빈 DAE HEUNG BOBBIN CO., LTD			TITLE ER 33*35 (12P) "H"		DWG NO DH-030129-3008-06	