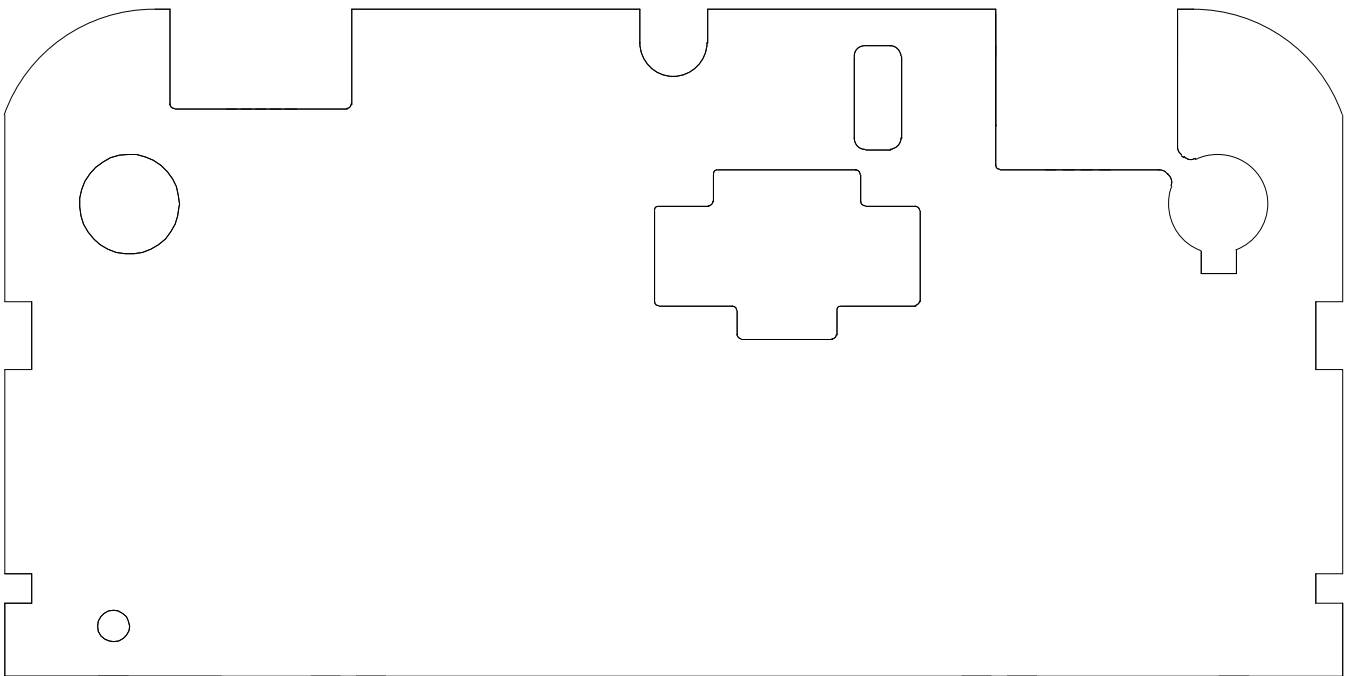
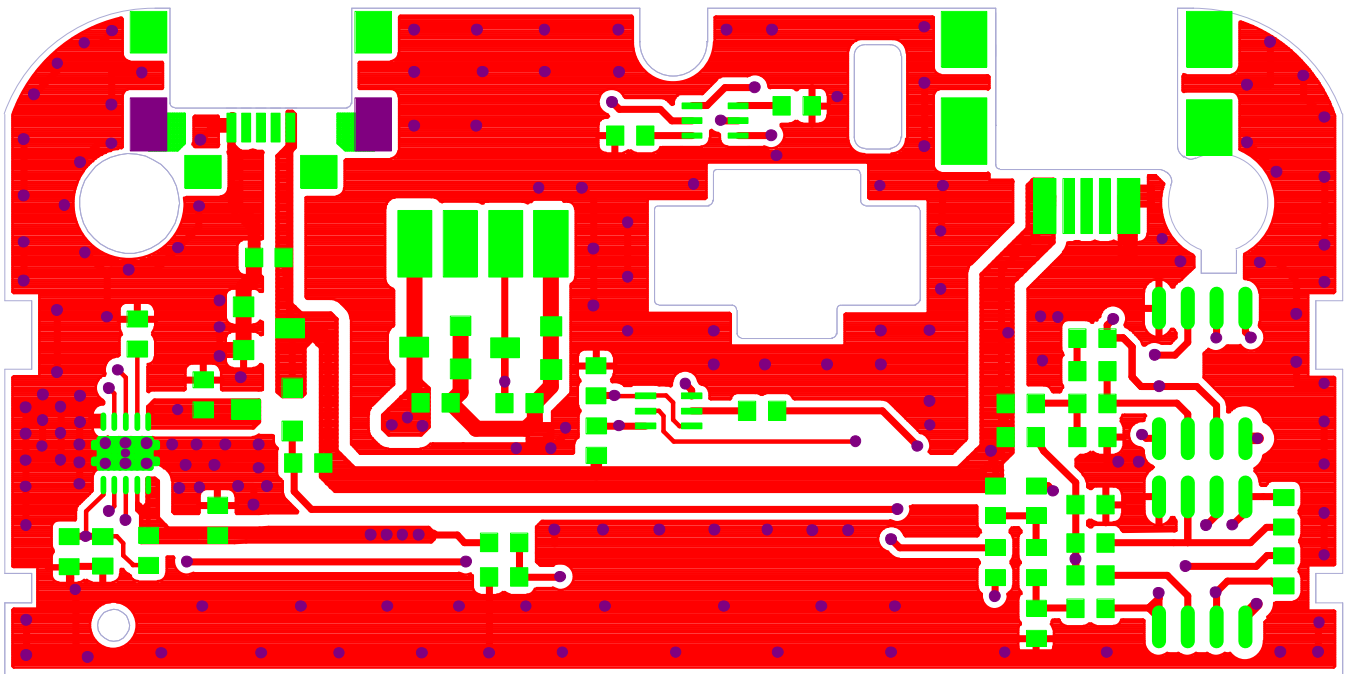


1	Copper Layer Count	2 Layer
2	Surface Treatment	Immersion Gold
3	Board Thickness(Finished)	1mm +/-0.1
4	Outer Copper Thickness(Finished)	1 OZ
5	Board Laminate	FR-4
6	Solder Mask/Color	Green
7	Legend/Color	White

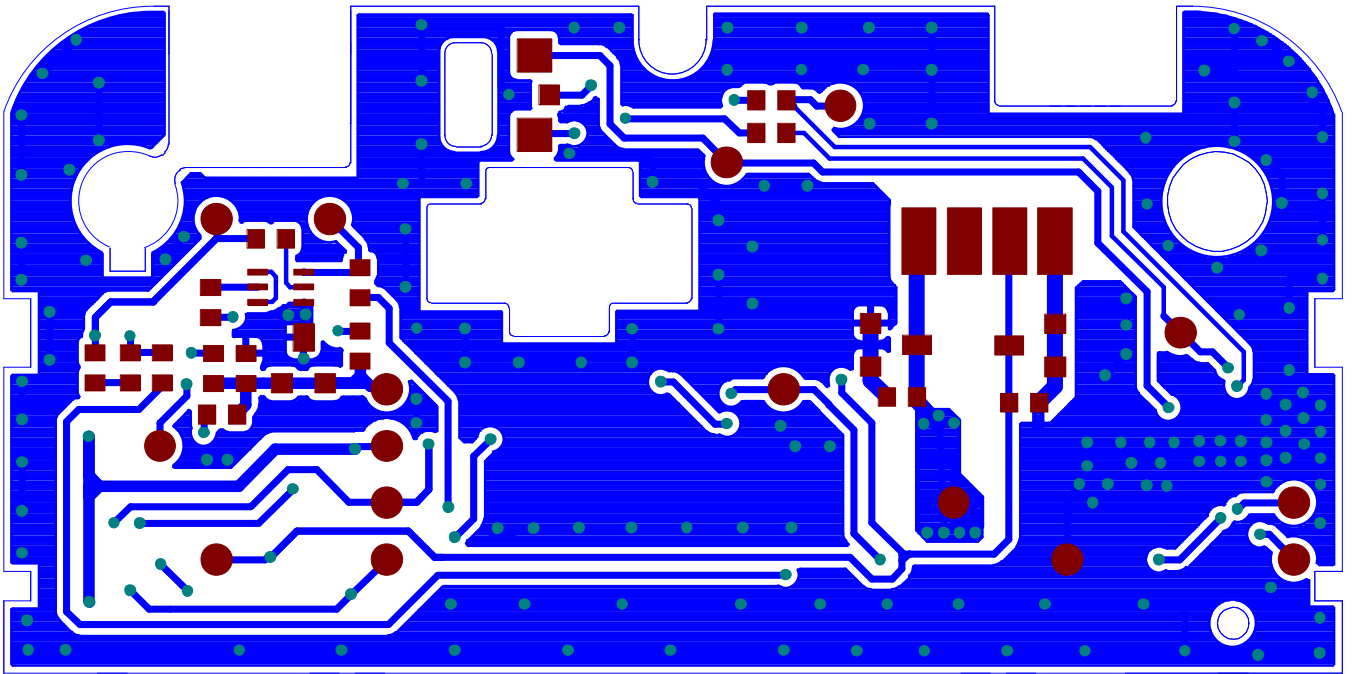


2009/02/18 V0.5

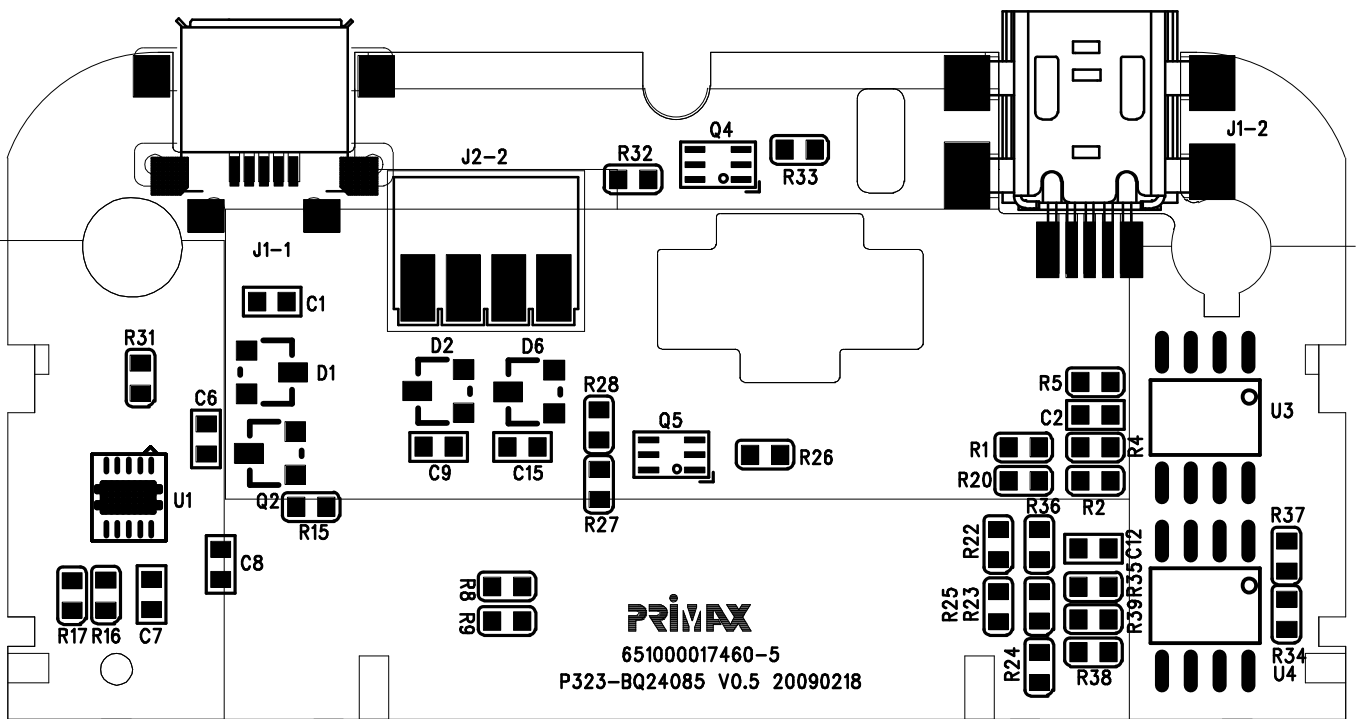
PCB DATA



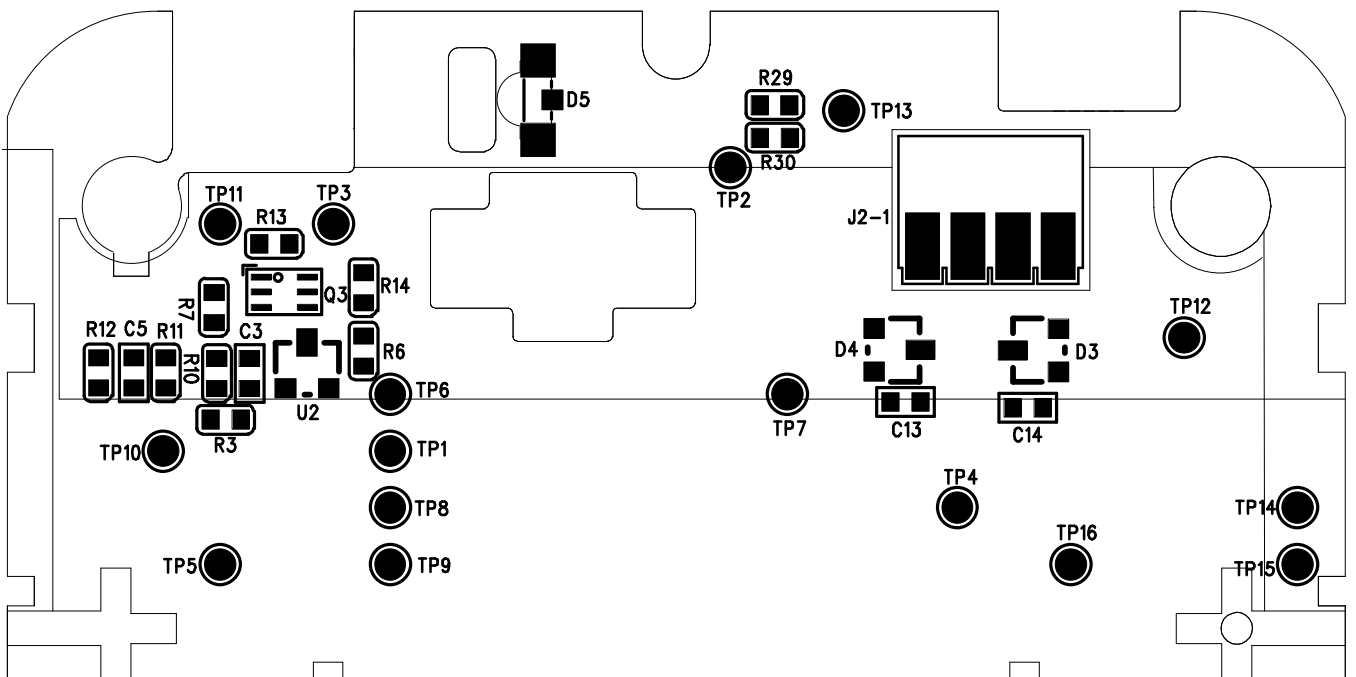
2009/02/18 V0.5 TOP SIDE



500a\05\18 V0.2 bottom layer



2009/02/18 V0.5 SILKSCREEN TOP



SILKSCREEN BOTTOM 2.0V 81\50\000S