



# LC3030C

REV1.0-Revised DEC 2007

## High Efficiency ,Multi-Function Step-up DC/DC Controller

### DESCRIPTION

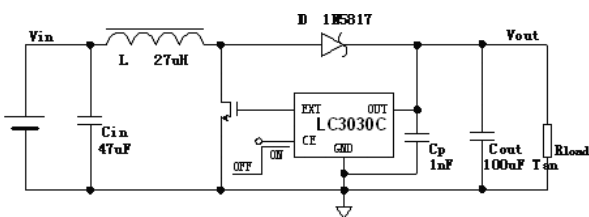
LC3030C series are CMOS-based PFM step-up DC-DC Controller with low supply current and high output voltage accuracy. Quiescent current drawn from power source is as low as 6uA. It is capable of delivering 500mA output current at 4.0V output with 2V input Voltage. Only four external components are necessary: An inductor, a Schottky diode, an output filter capacitor and a NMOSFET or a NPN transistor. All of these features make LC3030C series be suitable for the portable devices, which are supplied by a single battery to four-cell batteries.

LC3030C has a drive pin (EXT) for external transistor. So it is possible to load a large output current with a power transistor which has a low saturation voltage.

LC3030C integrates stable reference circuits and trimming technology, so it can afford high precision and low temperature-drift coefficient of the output voltage.

LC3030C is available in SOT-23-3 and SOT-23-5 packages which are PB free. And in SOT-23-5 the device can be switch on or off easily by CE pin, to minimize the standby supply current.

### TYPICAL APPLICATION



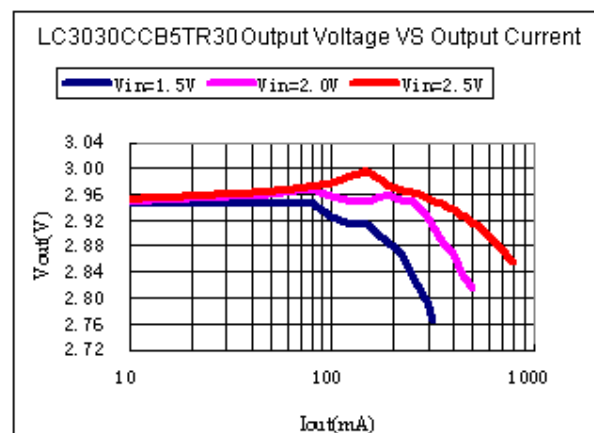
### FEATURES

- Deliver 500mA at 4.0V Output voltage with 2V input Voltage
- The controller output voltage can be adjusted from 2.5V~6.0V(In 0.1V step)
- Output voltage accuracy ----- $\pm 2\%$
- Low temperature-drift coefficient of the output voltage----- $\pm 100\text{ppm}/^\circ\text{C}$
- Only four external components are necessary: An inductor, a Schottky diode, an output filter capacitor and a NMOSFET or a NPN transistor
- High power conversion efficiency---90%
- Low quiescent current drawn from power source----- 6uA
- Small package----- SOT-23-3,SOT-23-5

### APPLICATIONS

- Power source for PDA,DSC,MP3 Player,electronic toy and wireless mouse
- Power source for a single or dual-cell battery-powered equipments
- Power source for LED

### ELECTRICAL CHARACTERISTICS



# LC3030C

## ORDERING INFORMATION

LC3030C [1](#) [2](#) [3](#) [4](#)

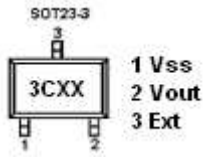
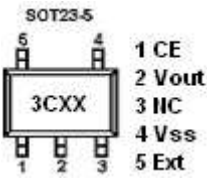
Code	Description
<a href="#">1</a>	Temperature&RoHS: C:-40~85°C ,Pb Free RoHS Std.
<a href="#">2</a>	Package type: B3:SOT-23-3 B5:SOT-23-5
<a href="#">3</a>	Packing type: TR:Tape&Reel (Standard)
<a href="#">4</a>	Output voltage: e.g. 25=2.5V 56=5.6V 60=6.0V

## ABSOLUTE MAXIMUM RATING

Parameter	Value
Input Voltage Range	-0.3V-12V
Input Voltage:V(EXT)	-0.3V-(Vout+0.3)
CE Pin Voltage	-0.3V-(Vout+0.3)
Lx Pin Output Current	0.7A
Operating Junction Temperature(Tj)	125°C
Ambient Temperature(Ta)	-40°C -85°C
Power Dissipation	SOT-23-3 250mW SOT-23-5 250mW
Storage Temperature(Ts)	-40°C -150°C
Lead Temperature & Time	260°C,10S

Note:  
Exceed these limits to damage to the device.  
Exposure to absolute maximum rating conditions may affect device reliability.

## PIN CONFIGURATION

Product Classification		LC3030CB3TR□□
Marking		
3CXX	3C:Product Code	
	XX:Output Voltage	
Product Classification		LC3030CB5TR□□
Marking		
3CXX	3C:Product Code	
	XX:Output Voltage	
CE	Chip Enable(Active high)	
Vss	Ground Pin	
Vout	Output Pin, Power supply for internal	
Ext	Switching Pin	
NC	No Connection	

## RECOMMENDED WORK CONDITIONS

Parameter	Value
Input Voltage Range	0.8V-Vout
Inductor	10-100uH
Input Capacitor	≥10uF
Output Capacitor	47-220uF
Ambient Temperature(Ta)	-40°C -85°C

Suggestion:Use tantalum type capacitor to reduce the ripple of the output voltage. Use 1nF filter ceramic type capacitor to connect Vout pin and GND pin. The filter capacitor is recommended as close as possible to Vout pin and GND pin.

## ELECTRICAL CHARACTERISTICS

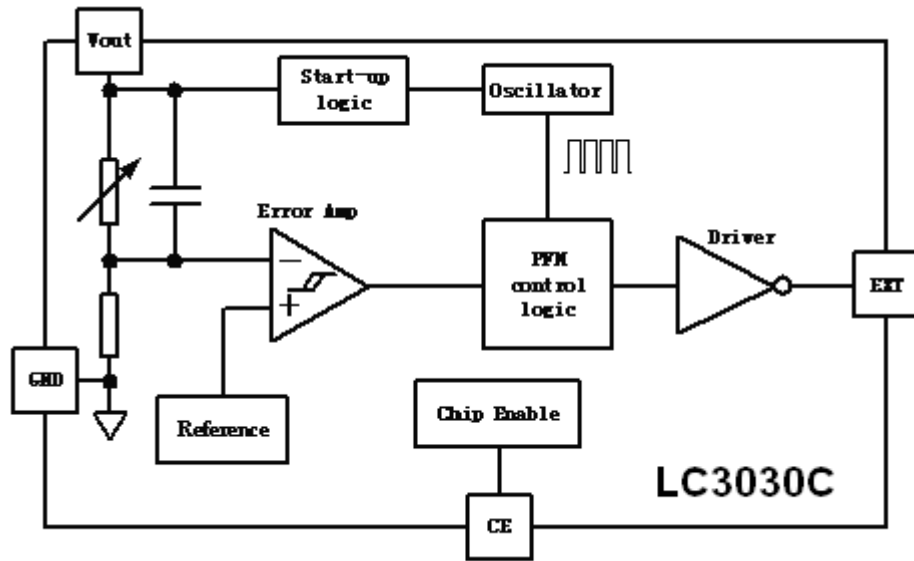
Default condition(unless otherwise provided):  $V_{in}=0.6 \times V_{out}$ ,  $I_{out}=10mA$ , Temperature= $25^{\circ}C$ , Use external circuit in test circuit list

SYMBOL	ITEM	TEST CONDITIONS	REFERENCE DATA			UNIT
			MIN	TYP.	MAX	
Vout	Output Voltage		2.45	2.5	2.55	V
			2.646	2.7	2.754	
			2.94	3.0	3.06	
			3.234	3.3	3.366	
			3.528	3.6	3.672	
			3.92	4.0	4.08	
			4.9	5.0	5.1	
			5.88	6.0	6.12	
Vin	Input Voltage			12	V	
Iin	Input Current * (no load)	Iout=0mA, Vin=Vout*0.6		20	25	uA
IDD	Quiescent current *	No external component, Vout =Voutx1.05		6	15	uA
Istandby	Chip leakage current	VCE=0V			1	uA
VCEH	CE "H" threshold voltage	VCE: 0→2V	0.6	0.9		V
VCEL	CE "L" threshold voltage	VCE: 2→0V		0.3	0.6	V
FOSC	Oscillator frequency	Vout=Vout*0.96 Test EXT pin frequency	300	350	400	Khz
ICEH	CE "H"	Vout=VCE=6V	-0.5	0	0.5	uA
ICEL	CE "L"	Vout=VCE=6V	-0.5	0	0.5	uA
IEXTH	EXT"H" output current	3.0V<=Vout<=3.9V		-21		mA
		4.0V<=Vout<=4.9V		-35		mA
		5.0V<=Vout<=6.9V		-41		mA
IEXTL	EXT"H" output current	3.0V<=Vout<=3.9V		23		mA
		4.0V<=Vout<=4.9V		25		mA
		5.0V<=Vout<=6.9V		31		mA
Duty	Oscillator duty cycle	On (Vix "L" ) side	70	75	80	%
η	Efficiency			90		%

### NOTE:

- Diode: Schottky type, such as:1N5817, 1N5819, 1N5822
- Inductor:27uH(R<0.5Ω)
- Output capacitor:100uF(Tantalum type)
- Vout pin filter capacitor: 1nF(Ceramic type)
- Input capacitor: 47uF

## BLOCK DIAGRAM



## TYPICAL APPLICATIONS

(1) Application with external NMOSFET

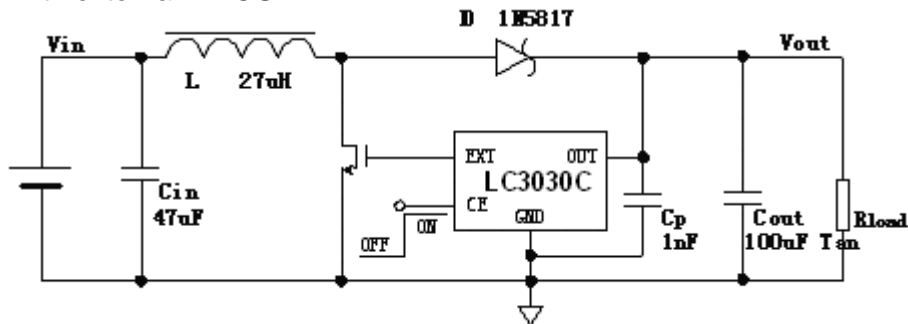


Fig 2

(2) Application with external NPN transistor

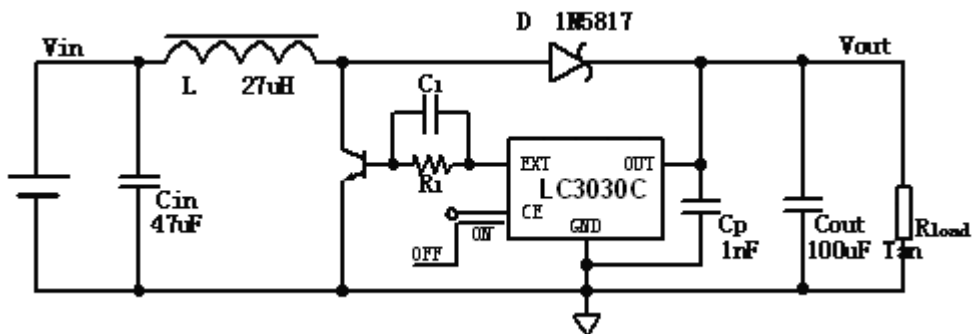


Fig 3

Note:  $R_1=330\Omega$ ,  $C_1=10nF$ . ( $R_1$  can be calculated by load. If load is light  $R_1$ 's value can be added. If load is heavy  $R_1$ 's value can be smaller.)

## DETAILED DESCRIPTION

LC3030C series are boost structure, voltage-type pulse-frequency modulation(PFM) step-up DC-DC controller. Only four external components are necessary: an inductor, a schottky diode, an output filter capacitor and a NMOSFET or a NPN transistor. The step-up DC-DC converter, constructed by LC3030C, can be adjusted from 2.5V to 6.0V, 0.1V step. By using the depletion technics, the quiescent current drawn from power source is lower than 8uA. The high efficiency device consists of resistors for output voltage detection and trimming, a start-up voltage circuit, an oscillator, a reference circuit, a PFM control circuit, a switch protection circuit and a driver transistor.

LC3030C integrates PFM control system. This system controls fixed power switch on duty cycle frequency to stabilize output voltage by calculating results of other blocks which sense input voltage, output voltage, output current and load conditions. In PFM modulation system, the frequency and pulse width is fixed. The duty cycle is adjusted by skipping pulses, so that switch on-time is changed based on the conditions such as input voltage, output current and load. The oscillate block inside LC3030C provides fixed frequency and pulse width wave.

The reference circuit provides stable reference voltage to output stable output voltage. Because internal trimming technology is used, the chip output change less than  $\pm 2\%$ . At the same time, the problem of temperature-drift coefficient of output voltage is considered in design, so temperature-drift coefficient of output voltage is less than 100ppm/ $^{\circ}\text{C}$ .

High-gain differential error amplifier guarantees stable output voltage at difference input voltage and load. In order to reduce ripple and noise, the error amplifier is designed with high band-with.

LC3030C has a drive pin (EXT) for external transistor. So it is possible to load a large output current with a power transistor and a

low saturation voltage. At very light load condition, the switch current and quiescent current of chip will effect efficiency certainly. So in very light load condition, the efficiency will drop. Therefore, it is recommended that user use LC3030C in the condition of load current as large as several tens of mA to several hundreds of mA.

## SELECTION OF THE EXTERNAL COMPONENTS

Thus it can be seen, the inductor, schottky diode and external NMOSFET or NPN transistor. affect the conversion efficiency greatly. The inductor and the capacitor also have great influence on the output voltage ripple of the converter. So it is necessary to choose a suitable inductor, a capacitor, an external NMOSFET or NPN transistor and a right schottky diode, to obtain high efficiency and low ripple.

Before discussion, we define

$$D \equiv \frac{V_{out} - V_{in}}{V_{out}}$$

## INDUCTOR SELECTION

Above all, we should define the minimum value of the inductor that can ensure the boost DC-DC to operate in the continuous current-mode condition.

$$L_{min} \geq \frac{D(1-D)^2 R_L}{2f}$$

The above expression is got under conditions of continuous current mode, neglect Schottky diode's voltage, ESR of both inductor and capacitor. The actual value is greater that it. If inductor's value is less than  $L_{min}$ , the efficiency of DC-DC converter will drop greatly, and the DC-DC circuit will not be stable.

Secondly, consider the ripple of the output voltage,

$$\Delta I = \frac{D \bullet V_{in}}{L f}$$

$$I_{max} = \frac{V_{in}}{(1-D)^2 R_L} + \frac{DV_{in}}{2Lf}$$

If inductor value is too small, the current ripple through it will be great. Then the current through diode and power switch will be great. Because the power switch on chip is not ideal switch, the energy of switch will improve. The efficiency will fall.

Thirdly, in general, smaller inductor values supply more output current while larger values start up with lower input voltage and acquire high efficiency.

An inductor value of 3uH to 1mH works well in most applications. If DC-DC converter delivers large output current (for example: output current is great than 50mA), large inductor value is recommended in order to improve efficiency. If DC-DC must output very large current at low input supply voltage, small inductor value is recommended.

The ESR of inductor will effect efficiency greatly. Suppose ESR value of inductor is  $r_L$ ,  $R_{load}$  is load resistor, then the energy can be calculated by following expression :

$$\Delta\eta \approx \frac{r_L}{R_{load}(1-D)^2}$$

For example: input 1.5V, output is 3.0V,  $R_{load}=20\Omega$ ,  $r_L=0.5\Omega$ , The energy loss is 10%. Consider all above, inductor value of 47uH,  $ESR<0.5\Omega$  is recommended in most applications. Large value is recommended in high efficiency applications and smaller value is recommended

## OUTPUT CAPACITOR SELECTION

Ignore ESR of capacitor, the ripple of output voltage is:

$$r = \frac{\Delta V_{out}}{V_{out}} = \frac{D}{R_{load} C_f}$$

So large value capacitor is needed to reduce ripple. But too large capacitor value will slow down system reaction and cost will improve. So 100uF capacitor is recommended. Larger capacitor value will be used in large output current system. If output current is small (<10mA), small value is needed.

Consider ESR of capacitor, ripple will increase:

$$r' = r + \frac{I_{max} \cdot R_{ESR}}{V_{out}}$$

When current is large, ripple caused by ESR will be main factor. It may be greater than 100mV. The ESR will affects efficiency and increase energy loss. So low-ESR capacitor (for example: tantalum capacitor) is recommend or connect two or more filter capacitors in parallel.

## DIODE SELECTION

Rectifier diode will affects efficiency greatly, Though a common diode (such as 1N4148) will work well for light load, it will reduce about 5%~10% efficiency for heavy load, For optimum performance, a Schottky diode (such as 1N5817,1N5819,1N5822) is recommended.

## INPUT CAPACITOR

If supply voltage is stable, the DC-DC circuit can output low ripple, low noise and stable voltage without input capacitor. If voltage source is far away from DC-DC circuit, input capacitor value greater than 10uF is recommended.

## Vout~GND FILTER CAPACITOR

Because the chip's switch current flows from Vout pin, then through the chip into GND pin. Therefore if the output capacitor's two pins were not very near the chip's Vout pin and GND pin, Vout 's stable would be affected. User will found that the output voltage will drop when load grows up if the output capacitor's two pin is not very near the chip's Vout pin and GND pin. In this condition, 1nF ceramic capacitor is recommended at very near the chip's Vout pin and GND pin. So in all LC3030C application, two capacitors are needed to obtain stable output voltage. The 100uF tantalum output capacitor is recommended to stable output voltage nearby load. The 1nF Vout pin to GND pin ceramic filter capacitor is recommended to stable chip's sense voltage.

## TEST CIRCUITS

Output voltage test circuit

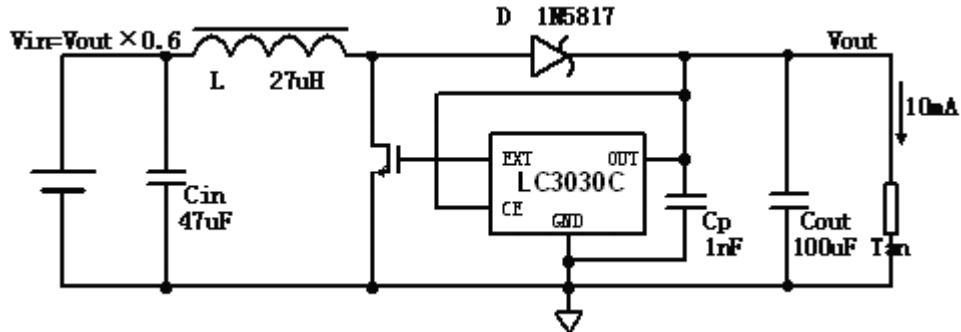


Fig 4

Quiescent current test circuit

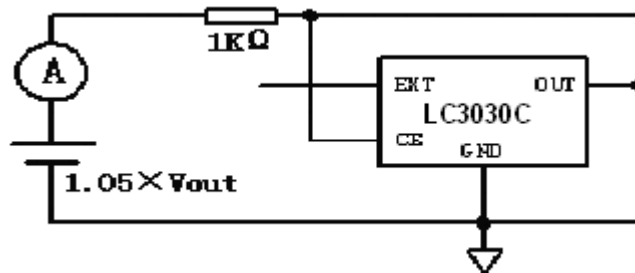


Fig 5

Input Current (no load) test circuit

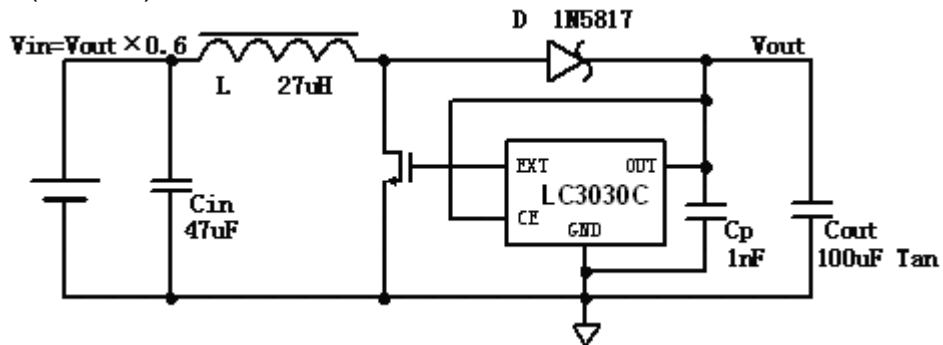


Fig 6

Oscillator frequency and duty cycle test circuit

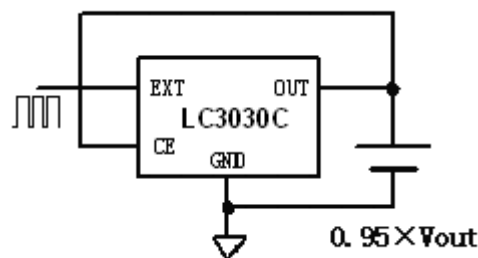


Fig 7

## EXTEND APPLICATIONS

### 12V STEP-UP APPLICATION

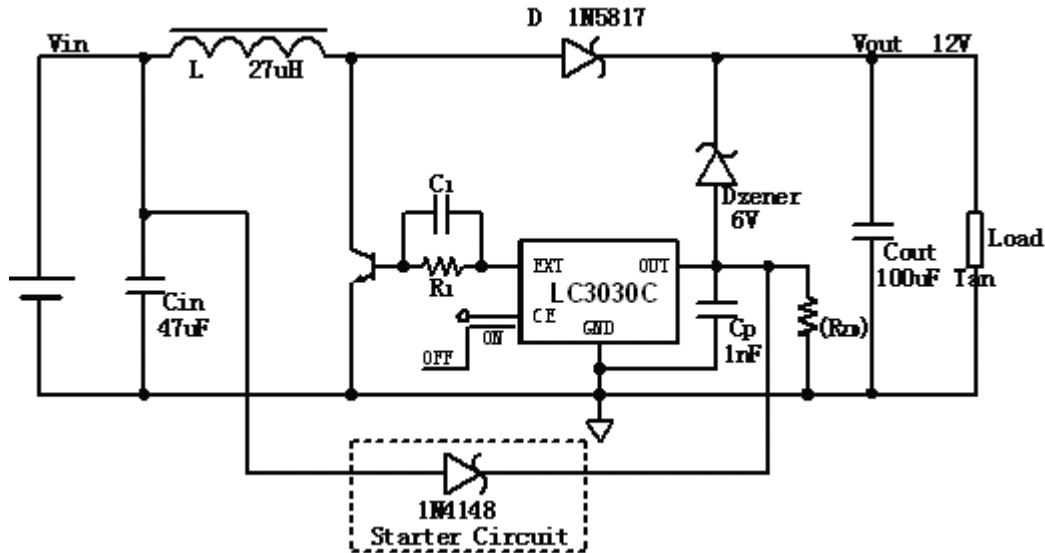


Fig 8

Note: LC3030C's output voltage is 6V. When the output current is small or no load, the output voltage will be unstable, use the  $R_{ZD}$  for flowing the bias current through the zener diode. For step-up application, a diode (for example: 1N4148) is needed as starter circuit.

### STEP-DOWN APPLICATION

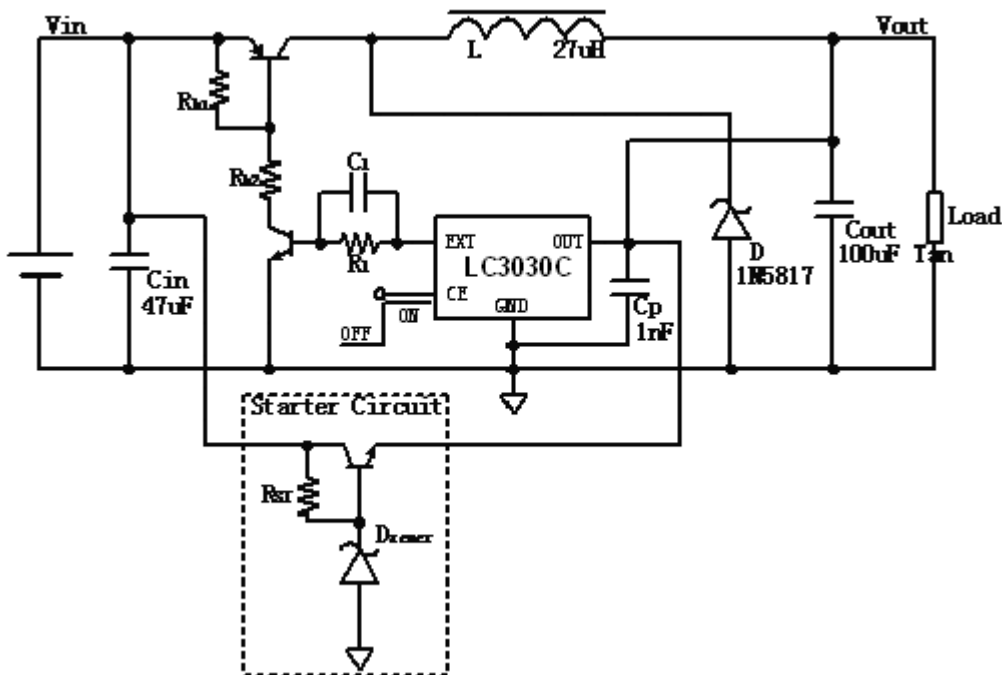


Fig 9

Note: In step-down application, use starter circuit as above.  $2.5V \leq V_{zener} \leq V_{out}$ .  $R_{ST}$  is needed for bias current of zener diode. This starter circuit also can be used in high voltage step-up application.



## FLYBACK STEP-UP/STEP-DOWN APPLICATION

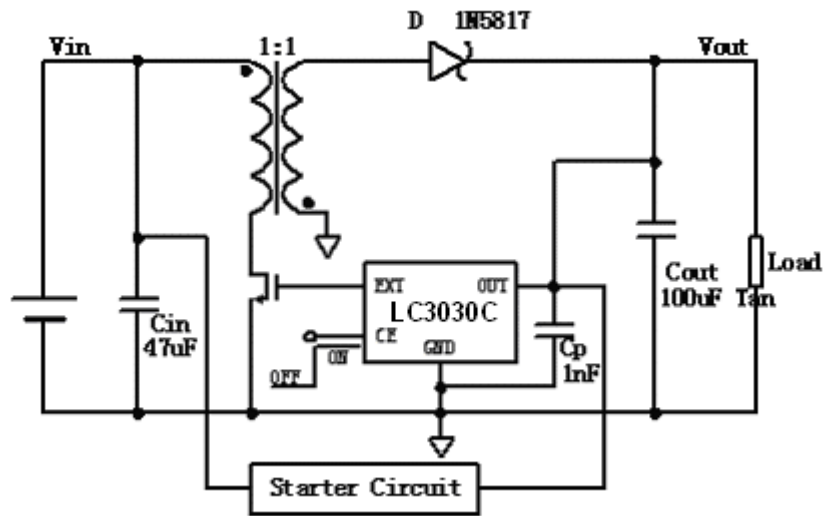
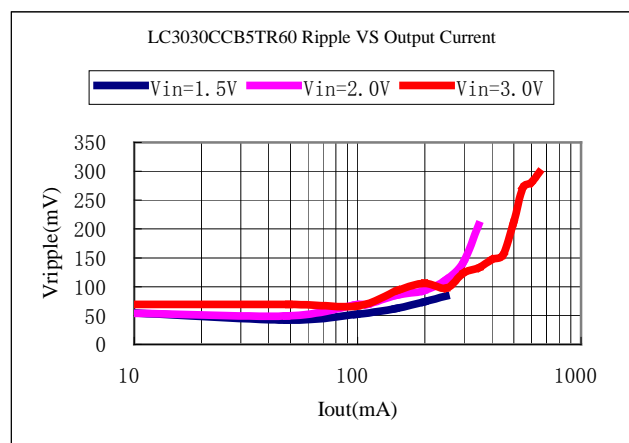
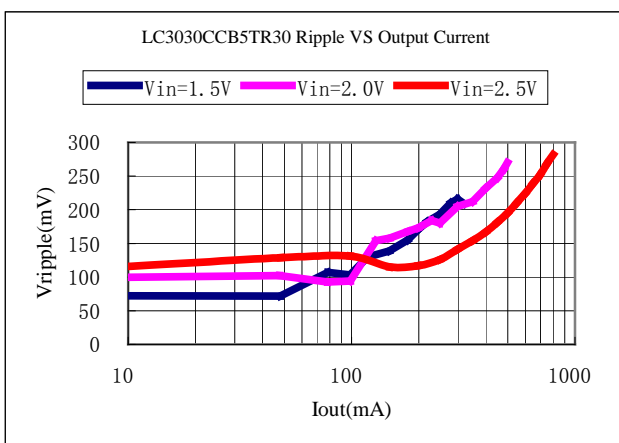
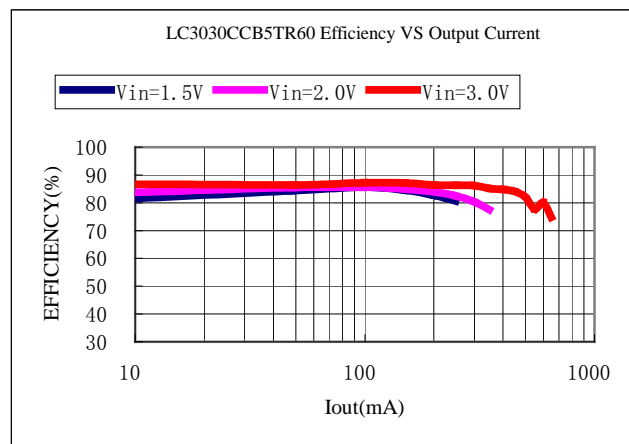
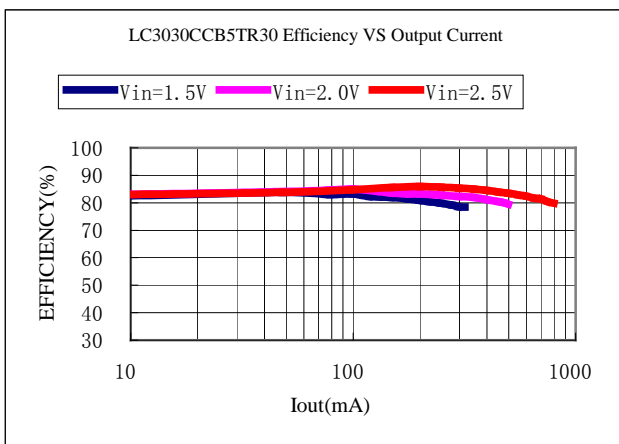
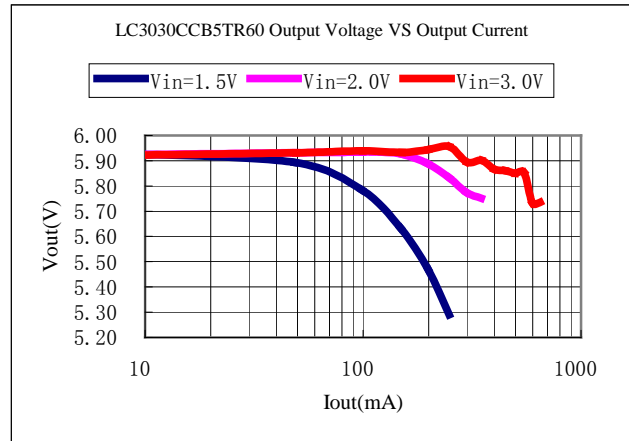
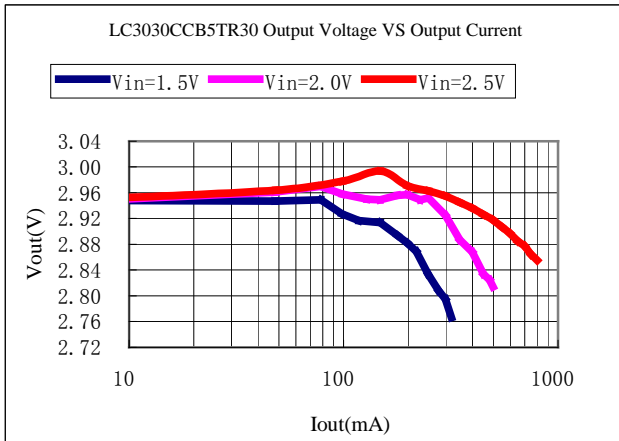


Fig 10

Note: In step-down and step-up/step-down application, starter circuit in fig 8 is need. In step-up application, simpler starter circuit in fig 9 can be used.

## TYPICAL PERFORMANCE CHARACTERISTICS

(Recommended operating conditions:  $L=10\mu\text{H}$ ,  $C_{in}=47\mu\text{F}$ ,  $C_{out}=100\mu\text{F}$ ,  $C_p=1\text{nF}$   $T_{opt}=25^\circ\text{C}$ . unless otherwise noted)



## PACKAGE LINE

Package	SOT-23-3	Devices per reel	3000Pcs	Unit	mm
<p>Package dimension:</p> <p>Top view dimensions: Total width <math>2.9 \pm 0.2</math>, lead width <math>0.4 \pm 0.1</math>, lead spacing <math>1.9 \pm 0.2</math> (with individual lead width <math>0.95</math>), body width <math>1.6 \pm 0.2</math>, and total height <math>2.8 \pm 0.3</math>. Lead 3 is at the top.</p> <p>Side view dimensions: Maximum lead height <math>1.4 \text{ MAX.}</math>, lead height <math>1.1^{+0.2}_{-0.1}</math>, lead width <math>0.8</math>, lead thickness <math>0</math> to <math>0.1</math>, and lead angle <math>0.2 \text{ MIN.}</math>. Lead 1 is at the bottom left, and lead 2 is at the bottom right.</p> <p>Bottom view dimensions: Lead 1 and 2 are spaced <math>0.95</math> from the center line, with a total width of <math>1.9 \pm 0.2</math>.</p>					

Package	SOT-23-5	Devices per reel	3000Pcs	Unit	mm
<p>Package specification:</p> <p>Top view dimensions: Total width <math>2.9 \pm 0.2</math>, lead width <math>0.4 \pm 0.1</math>, lead spacing <math>1.9 \pm 0.2</math> (with individual lead width <math>0.95</math>), body width <math>1.6^{+0.2}_{-0.1}</math>, and total height <math>2.8 \pm 0.3</math>. Leads 1, 2, and 3 are at the bottom, while leads 4 and 5 are at the top.</p> <p>Side view dimensions: Lead height <math>1.1^{+0.2}_{-0.1}</math>, lead width <math>0.8 \pm 0.1</math>, lead thickness <math>0</math> to <math>0.1</math>, and lead angle <math>0.2 \text{ MIN.}</math>. Lead 1 is at the bottom left, and lead 3 is at the bottom right.</p> <p>Bottom view dimensions: Lead 1 and 3 are spaced <math>0.95</math> from the center line, with a total width of <math>1.9 \pm 0.2</math>.</p>					