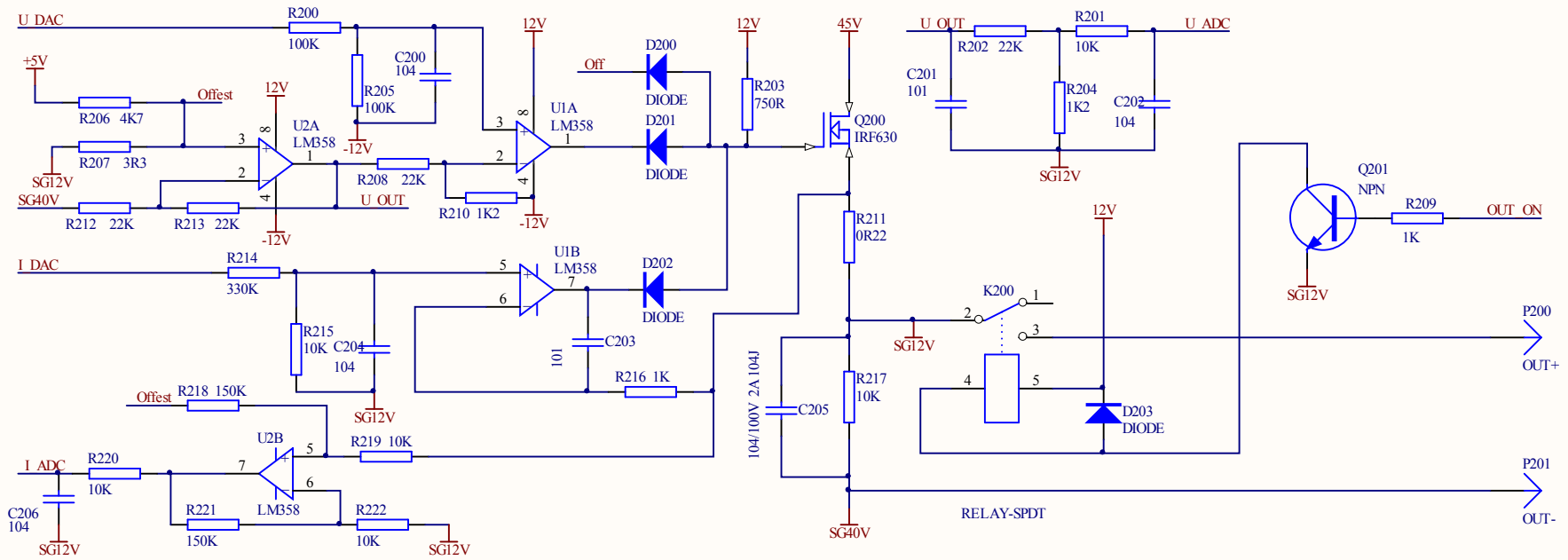
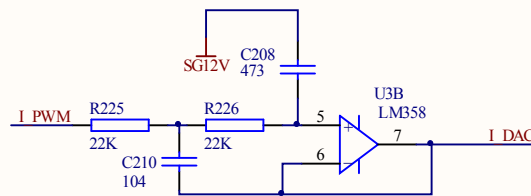
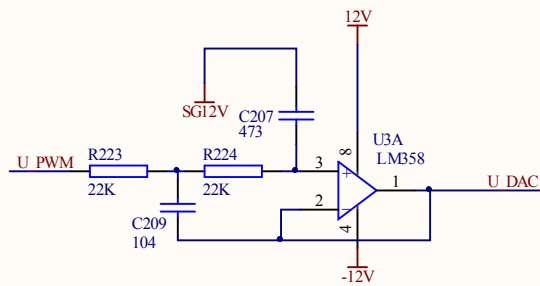


WWW.MCURM.COM

Title		
M8 Digital Power		
Size	Number	Revision
A4	SCH-M8-POWER-001	V01
Date:	2009/4/2	Sheet of 1/4
File:	E:\Abing\...\AC-DC.SchDoc	Drawn By: Abing



PWM to DAC



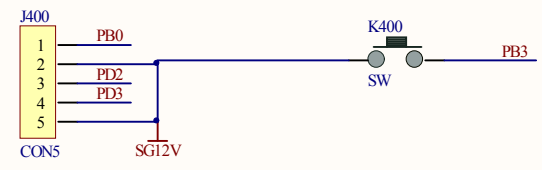
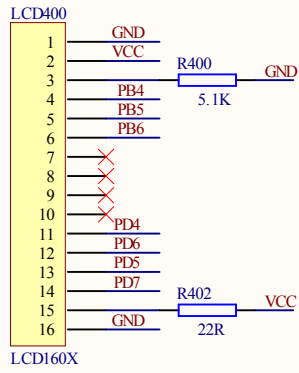
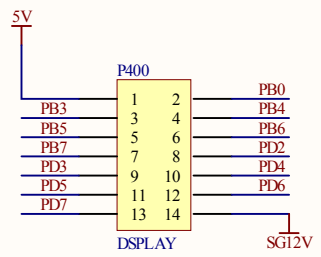
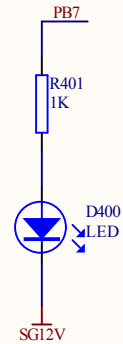
25mS

0-36V 0.1V
0-500mA 1mA

* U2

WWW.MCURM.COM

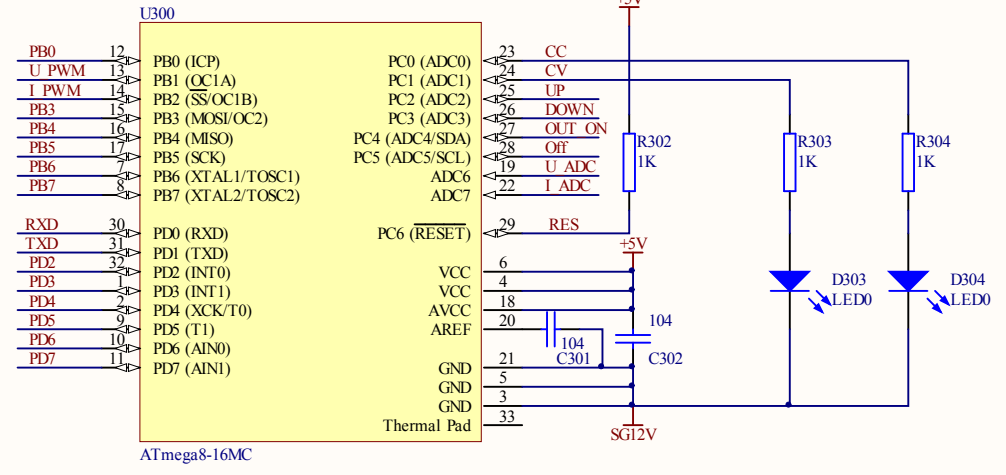
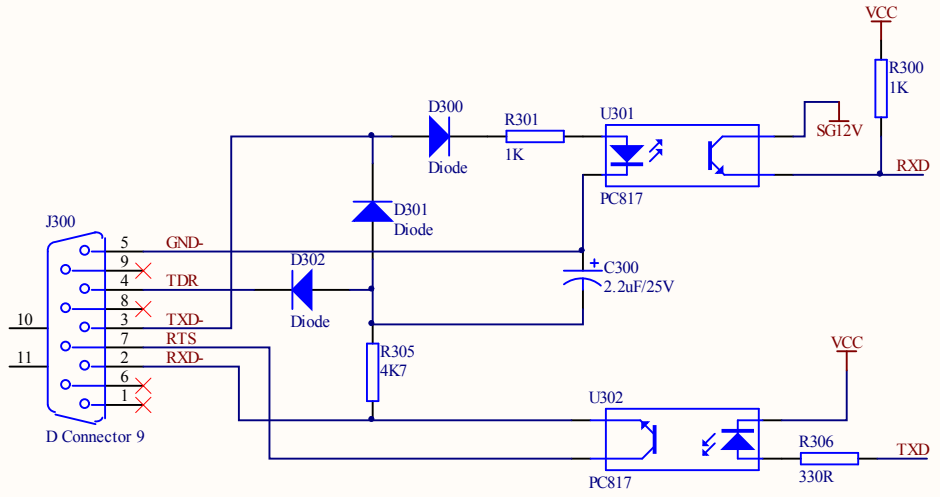
Title		
M8 Digital Power		
Size	Number	Revision
A4	SCH-M8-POWER-002	V01
Date:	2009/4/2	Sheet of 2/4
File:	E:\Abing\...control.SchDoc	Drawn By: Abing



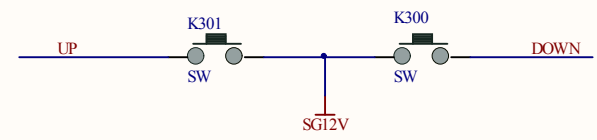
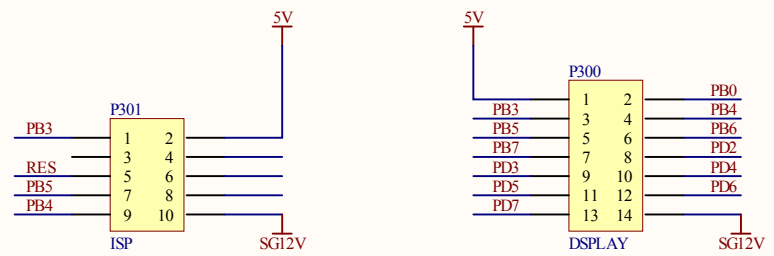
LCD 1602 /

WWW . MCURM . COM

Title		
M8 Digital Power		
Size	Number	Revision
A4	SCH-M8-POWER-004	V01
Date:	2009/4/2	Sheet of 4/4
File:	E:\Abing\...\Display.SchDoc	Drawn By: Abing



ISP



WWW.MCURM.COM

Title		
M8 Digital Power		
Size	Number	Revision
A4	SCH-M8-POWER-003	V01
Date:	2009/4/2	Sheet of 3/4
File:	E:\Abing\...MCU Part.SchDoc	Drawn By: Abing