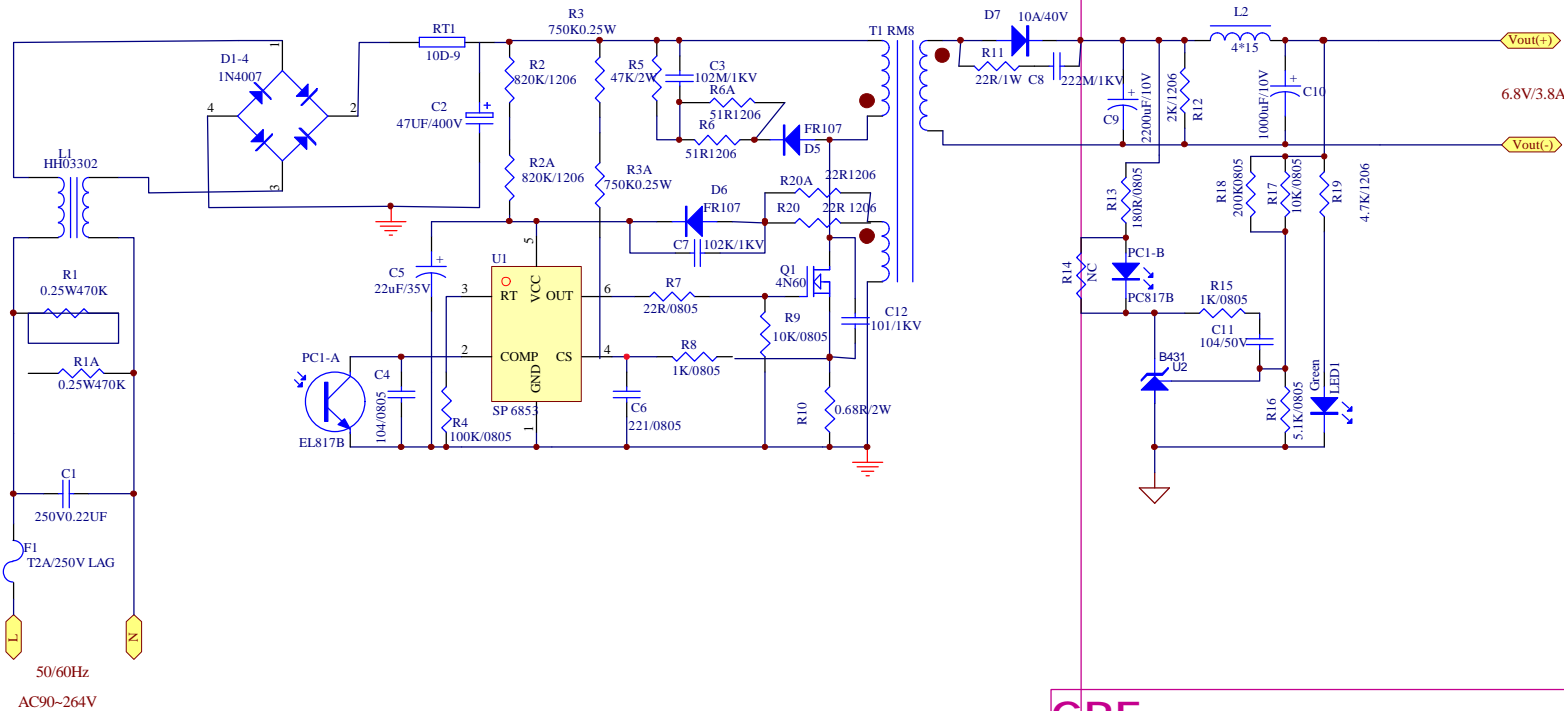


REVISIONS

DASH NO.	REV	ECO	DESCRIPTION	DATE	BY	CHECKED



SP6853-microbridge
 4N60-microbridge
 www.micro-bridge.com

GRE GOLDEN REGENT ELECTRONICS INDUSTRIAL LTD		TITLE:	DRAWING	FOSK	DATE:2007.12.10
SCALE	MODELNO.	CHECKED	陈锋	DATE:2007.12.10	
MATERIAL	DZ-07029	APPROVED	阮静	DATE:2007.12.10	
FINISHED	PART NO.	DRAWING NO.			
REV	1.0	DZ-07029081			