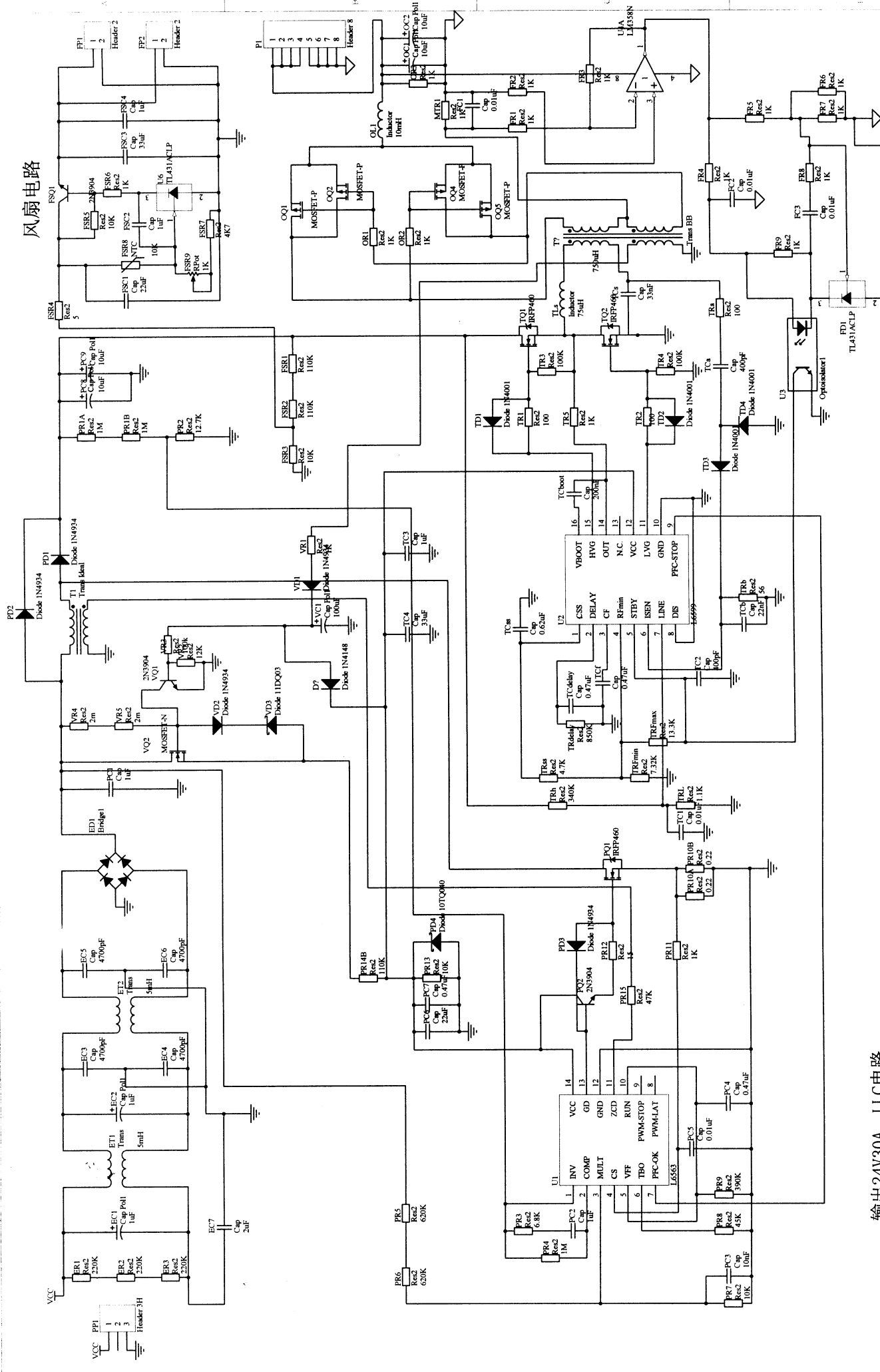


风扇电路



输出24V30A LLC电路

Size	Number	Revision
A3		
2009-4-6		
File	E 开关电源24V30A_30A_SchDoc	Drawn By
Title		