

◆ Description

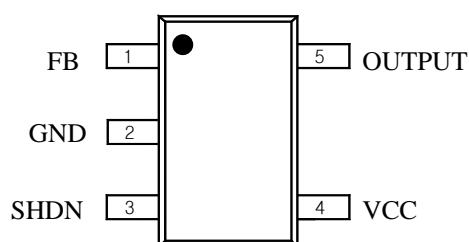
The S8200 is an integrated adjustable constant-current source, driving loads up to 150mA, The output current level can be adjusted via an external resistor. The integrated SHDN input of the S8200 permits LED brightness regulation by pulse width modulation (PWM), with the SHDN input, the LED brightness can be regulated via duty cycle. Also, SHDN low sets the S8200 in sleep mode, the SHDN pin also can be used as an enable input.

This discrete integration technology eliminates individual components by combining them into a single package, which results in a significant reduction of both system cost and board space. The device is a small surface mount package (SOT-25)

◆ Features

- Supplies stable bias current for LEDs
- LED drive current adjustable via single external resistor (Max 150mA)
- Low Cost, Low External Parts Count
- Small Surface-Mount SOT-25 Package
- Halogen-Free Package is Available

◆ Pin Assignment & Description



Package : SOT-25

| Pin | Symbol | Description |
|-----|--------|---------------------------|
| 1 | FB | Feedback / 0.6V Reference |
| 2 | GND | Ground |
| 3 | SHDN | Disable On/Off |
| 4 | VCC | Power Supply |
| 5 | OUTPUT | Open Collector Output |

◆ Ordering Information

| Package Type | Device Name | Marking |
|--------------|-------------|---------|
| SOT-25 | S8200 | 82□** |

※ □ : Year&Week Code

◆ Absolute maximum ratings

[Ta=25°C]

| Characteristic | Symbol | Rating | Unit |
|-------------------------------------|------------------------|------------|------|
| Power Supply Voltage | V _{CC(MAX)} | 25 | V |
| Output Voltage | V _{OUT(MAX)} | 25 | V |
| Output Sink Current | I _{OUT(MAX)} | 150 | mA |
| Thermal Resistance Junction-Ambient | R _{th(j-a)} * | 250 | °C/W |
| Power Dissipation | P _D * | 0.5 | W |
| Operating Temperature Range | T _{opr} | -40 ~ +85 | °C |
| Storage Temperature Range | T _{stg} | -55 ~ +125 | °C |

* Mounted on a glass epoxy circuit board of 30x30mm Pad dimension of 50mm²

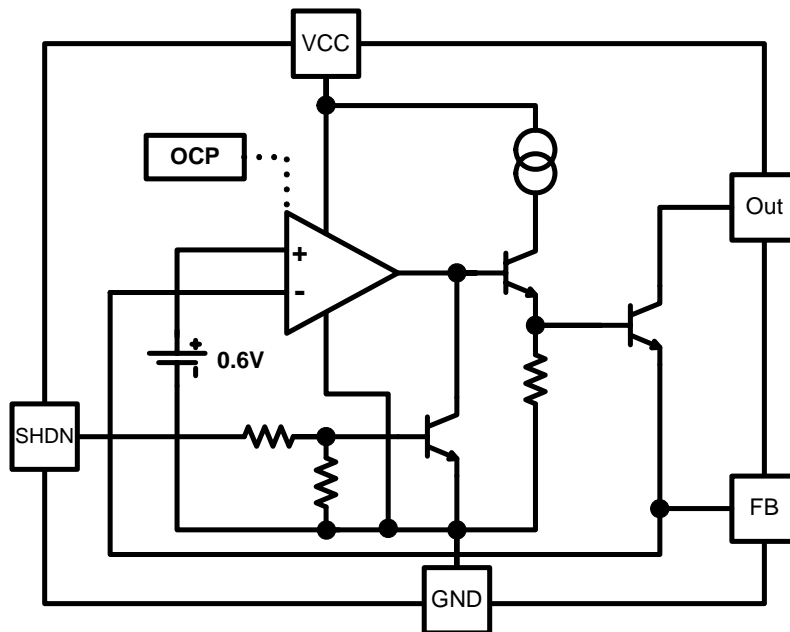
◆ Recommended operating conditions

| Characteristic | Symbol | Rating | | Unit |
|--------------------------|------------------|--------|-----------------|------|
| | | Min | Max | |
| Power Supply Voltage | V _{CC} | 3 | 24 | V |
| Output Voltage | V _{OUT} | 1.5 | V _{CC} | V |
| Output Sink Current | I _{OUT} | - | 100 | mA |
| Shut Down Voltage | SHDN | -0.3 | V _{CC} | V |
| Dimming Frequency (SHDN) | F _{DIM} | - | 10 | kHz |

◆ Electrical Characteristics (Ta=25°C, unless otherwise noted.)

| Characteristic | Symbol | Condition | Min. | Typ. | Max. | Unit |
|-----------------------|----------------------|--|------|------|------|------|
| Supply Current 1 | I _{Q1} | V _{CC} =5V, I _{out} =10mA, V _{out} =open | - | 2.0 | 3.0 | mA |
| Supply Current 2 | I _{Q2} | V _{CC} =22V, I _{out} =10mA, V _{out} =open | - | 2.2 | 3.5 | mA |
| Vo Leak Current | I _{leak} | V _{CC} =5V, V _{out} =22V | - | 0.1 | 1 | μA |
| Feedback Voltage | V _{FB} | V _{CC} =5V, I _{out} =10mA | 586 | 600 | 614 | mV |
| Dropout Voltage | V _{drop} | V _{CC} =5V, I _{out} =100mA | - | 0.8 | 1.5 | V |
| Line Regulation | ΔV _{FB1} | V _{CC} =3V~22V, I _{out} =10mA | - | 3 | 10 | mV |
| Load Regulation | ΔV _{FB2} | V _{CC} =5V, I _{out} =1mA~100mA | - | 2 | 10 | mV |
| SHDN Voltage On | V _{dis on} | V _{CC} =5V, I _{out} =10mA, V _{out} =V _{CC} | 1.5 | - | - | V |
| SHDN Voltage Off | V _{dis off} | V _{CC} =5V, I _{out} =10mA, V _{out} =V _{CC} | - | - | 0.5 | V |
| SHDN Pin Current | I _{dis} | V _{CC} =5V, SHDN=5V | 230 | 430 | 630 | μA |
| Short Circuit Current | I _{SC} | R _{FB} =0Ω | - | 250 | - | mA |

◆ Functional block diagram



◆ Design Consideration

1) Calculation for R_{FB}

$$- R_{FB} = 0.6V / I_{LED}$$

2) Calculation for V_{drop}

$$- V_{drop} = V_{CC} - V_{LED}$$

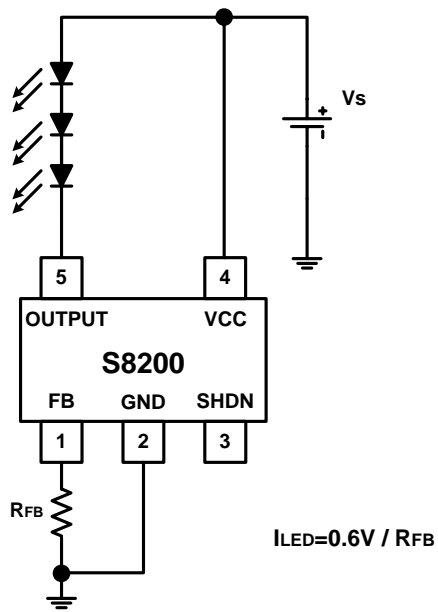
3) Calculation for Power Dissipation on the S8200

$$- P_{D1} = (V_{drop} - V_{FB}) \times I_{LED}$$

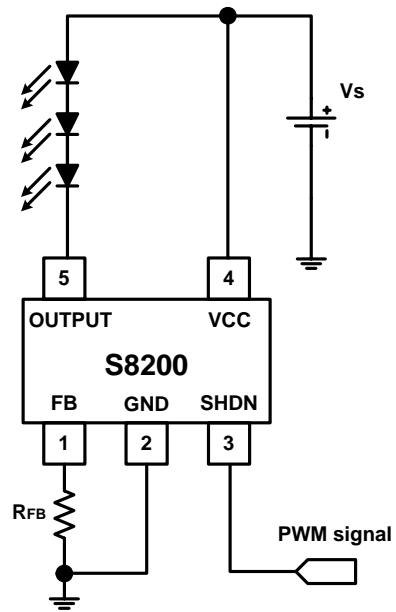
$$- P_{D2} = V_{CC} \times I_Q$$

$$- P_{D(total)} = P_{D1} + P_{D2}$$

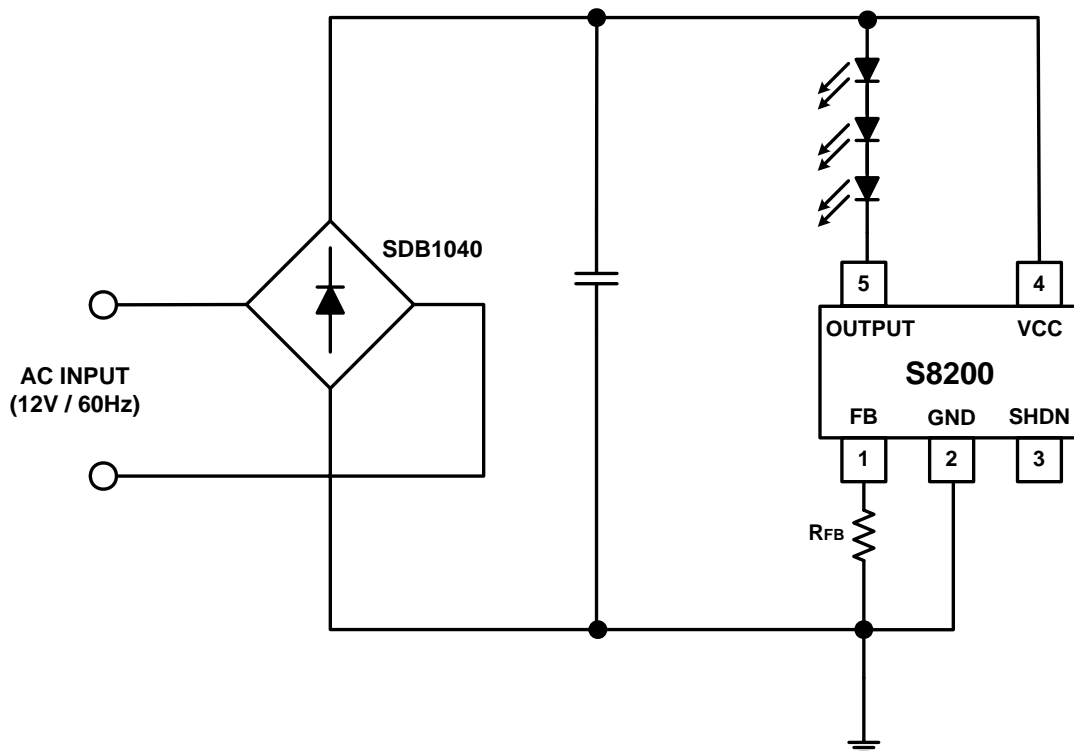
◆ Typical Applications



<APP1. Constant Current LED Driver Circuit>

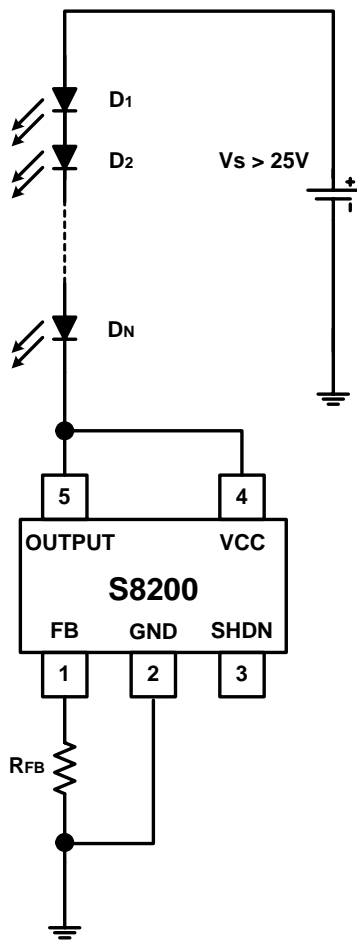


<APP2. PWM Dimming LED Driver Circuit>

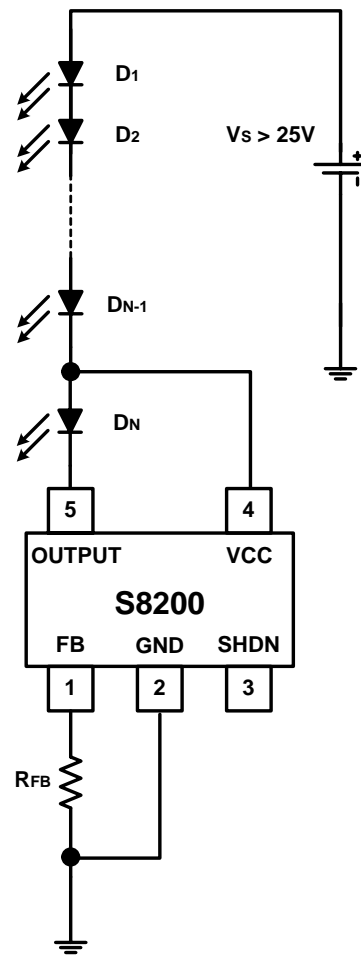


<APP3. V_{AC} Landscape Lighting Application Circuit>

◆ Typical Applications



<APP4. High Voltage Operation of S8200 (1) >

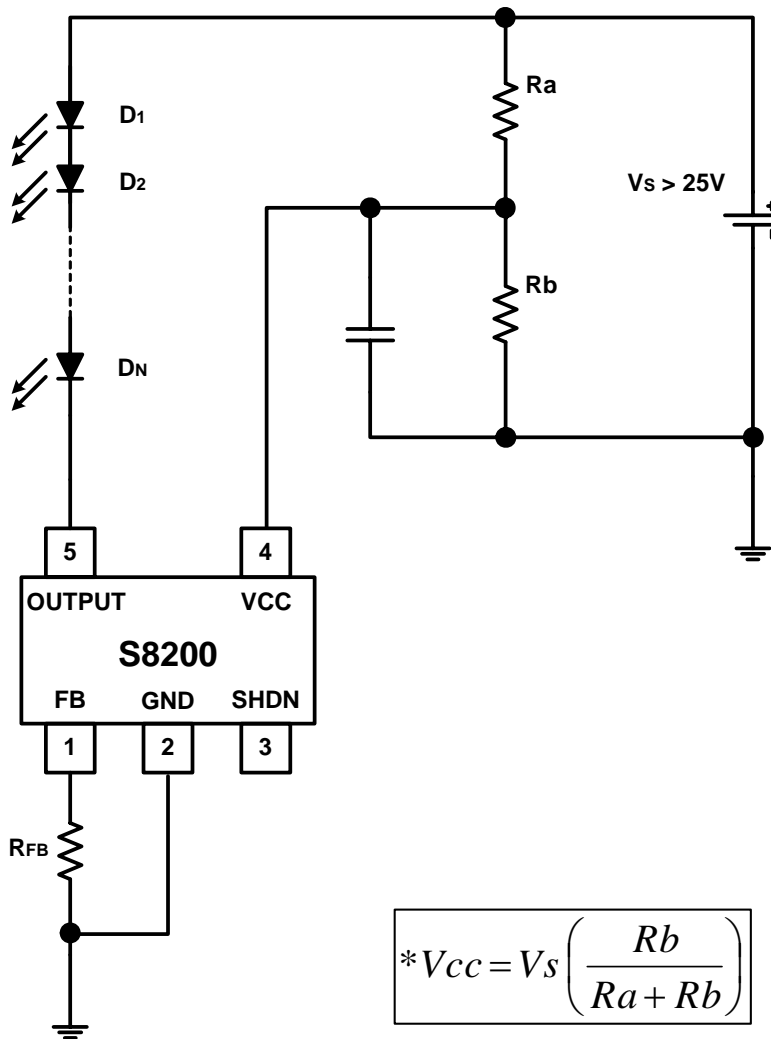


<APP5. High Voltage Operation of S8200 (2) >

For operation in excess of S8200 specified maximum voltage (V_{CC} & V_{OUT}) of 25V, one way is to connect a sufficient number of LEDs between the power supply voltage and the DC input of the V_{CC} & V_{OUT} (pin 4, 5) such that the voltage seen at pin 4, 5 is less than 25V.

That is to say, use additional LEDs to drop the voltage fed to the S8200 below its maximum rating, in the usual way. Refer to **APP4,5** Note that the exact number of diodes required will depend on the supply voltage V_{CC} and output voltage V_{OUT} , the voltage drops across the particular LEDs being used. (Red, Blue and White LEDs have different forward voltage drop.) Use enough LEDs such that voltage at pin4,5 of S8200 is < 25V

◆ Typical Applications



<APP6. Power Supply Where Separates Operation of S8200 >

◆ Electrical Characteristic Curves

Fig.1 V_{FB} vs T_A

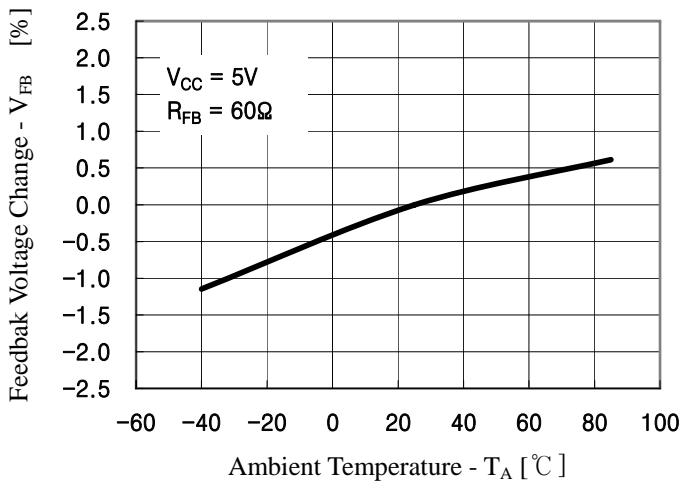


Fig.2 Line Regulation vs T_A

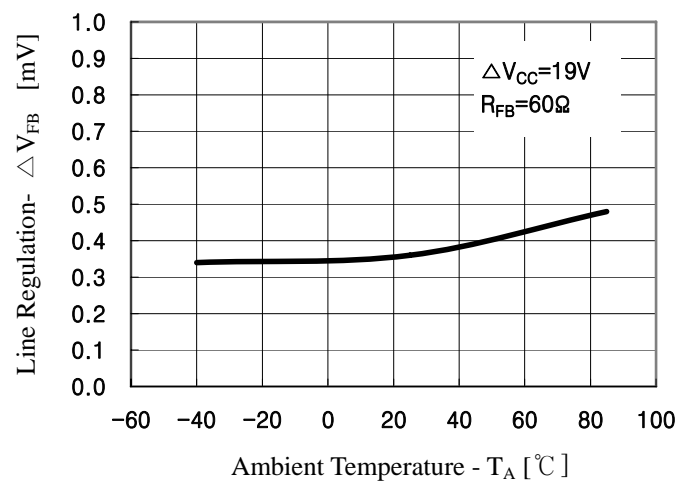


Fig.3 Load Regulation vs T_A

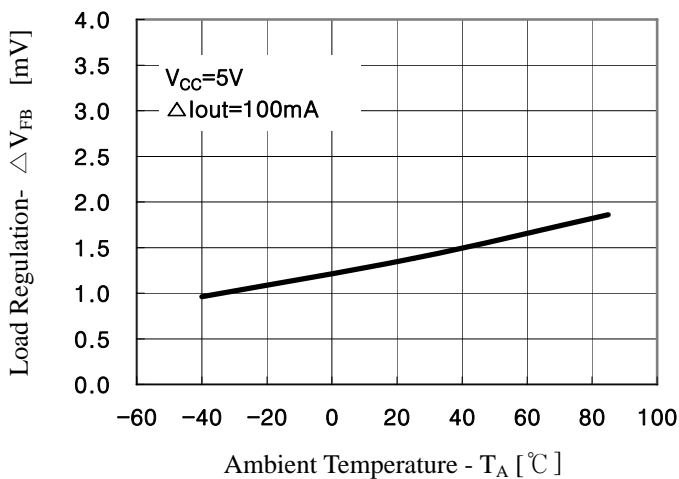


Fig.4 Quiescent Current vs T_A

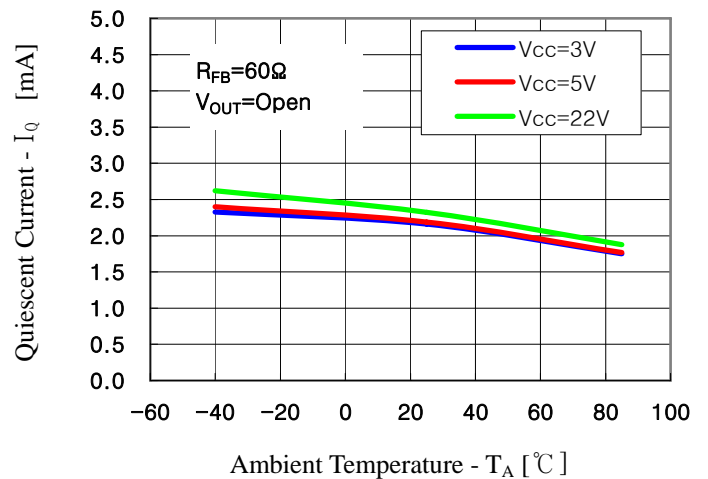


Fig.5 Dropout Voltage vs T_A

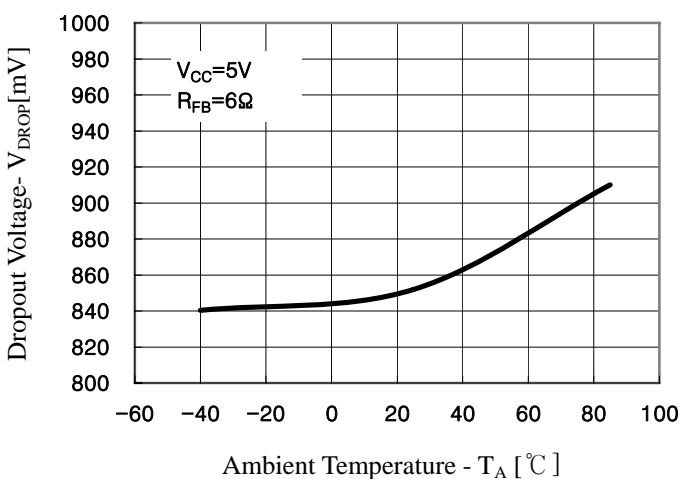
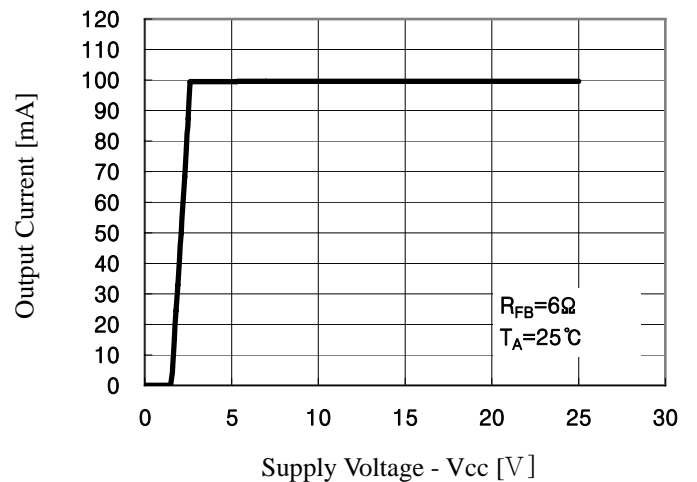
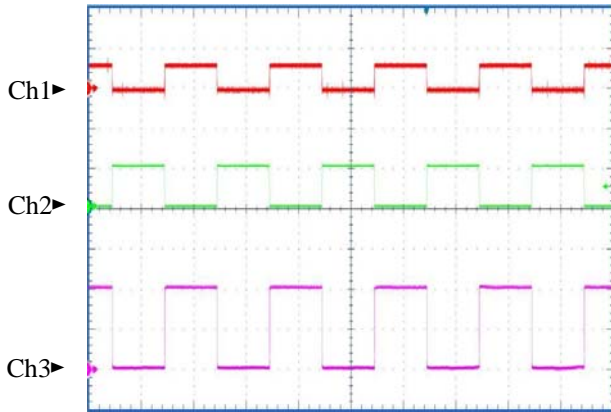


Fig.6 Output Current vs Supply Voltage



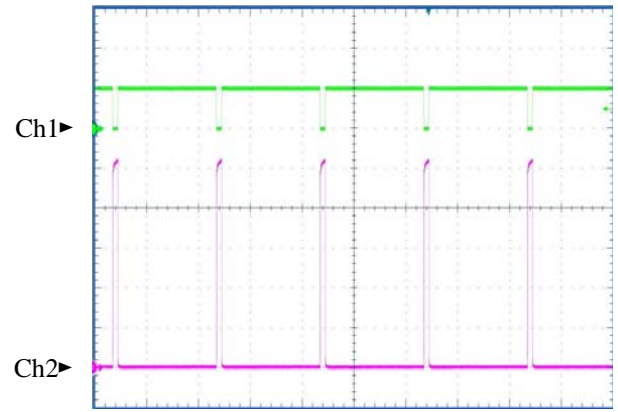
◆ Electrical Characteristic Curves

Fig.7 Dimming Waveform



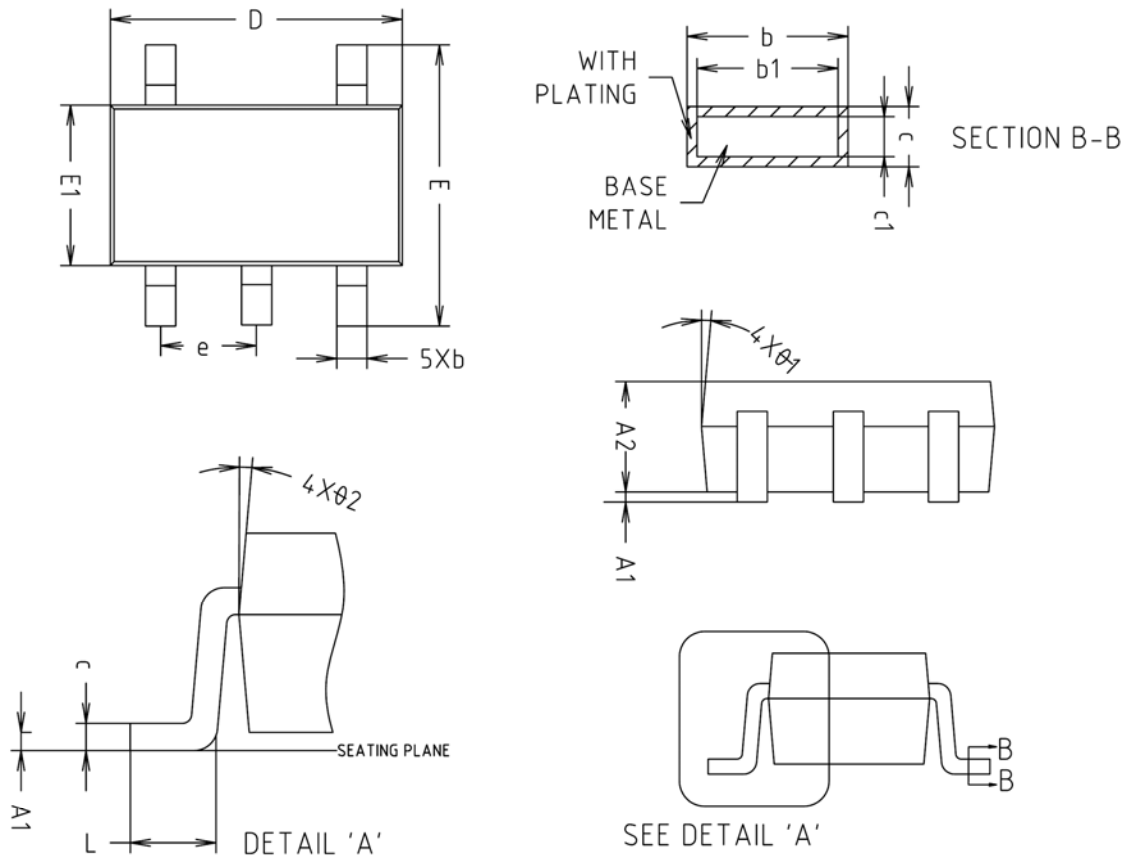
Ch1 : V_{FB} , 1V/Div
 Ch2 : SHDN, 5V/Div
 Ch3 : I_{OUT} , 5mA/Div

Fig.8 Short Circuit Current



Ch1 : SHDN, 5V/Div
 Ch2 : I_{OUT} , 50mA/Div

SOT-25 Outline Dimension(mm)



| SYMBOL | MILLIMETERS | | | NOTE |
|--------|-------------|---------|---------|------|
| | MINIMUM | NOMINAL | MAXIMUM | |
| A1 | 0.000 | 0.050 | 0.100 | |
| A2 | 1.000 | 1.100 | 1.200 | |
| b | - | 0.400 | 0.450 | |
| b1 | - | 0.375 | 0.425 | |
| c | 0.110 | 0.150 | 0.190 | |
| c1 | 0.085 | 0.125 | 0.165 | |
| D | 2.800 | 2.900 | 3.000 | |
| E | 2.600 | 2.800 | 3.000 | |
| E1 | 1.500 | 1.600 | 1.700 | |
| e | 0.930 | 0.950 | 0.970 | |
| L | 0.400 | - | - | |
| Ø1 | 5° REF | | | |
| Ø2 | 5° REF | | | |

The AUK Corp. products are intended for the use as components in general electronic equipment (Office and communication equipment, measuring equipment, home appliance, etc.).

Please make sure that you consult with us before you use these AUK Corp. products in equipments which require high quality and / or reliability, and in equipments which could have major impact to the welfare of human life(atomic energy control, airplane, spaceship, transportation, combustion control, all types of safety device, etc.). AUK Corp. cannot accept liability to any damage which may occur in case these AUK Corp. products were used in the mentioned equipments without prior consultation with AUK Corp..

Specifications mentioned in this publication are subject to change without notice.