

6

5

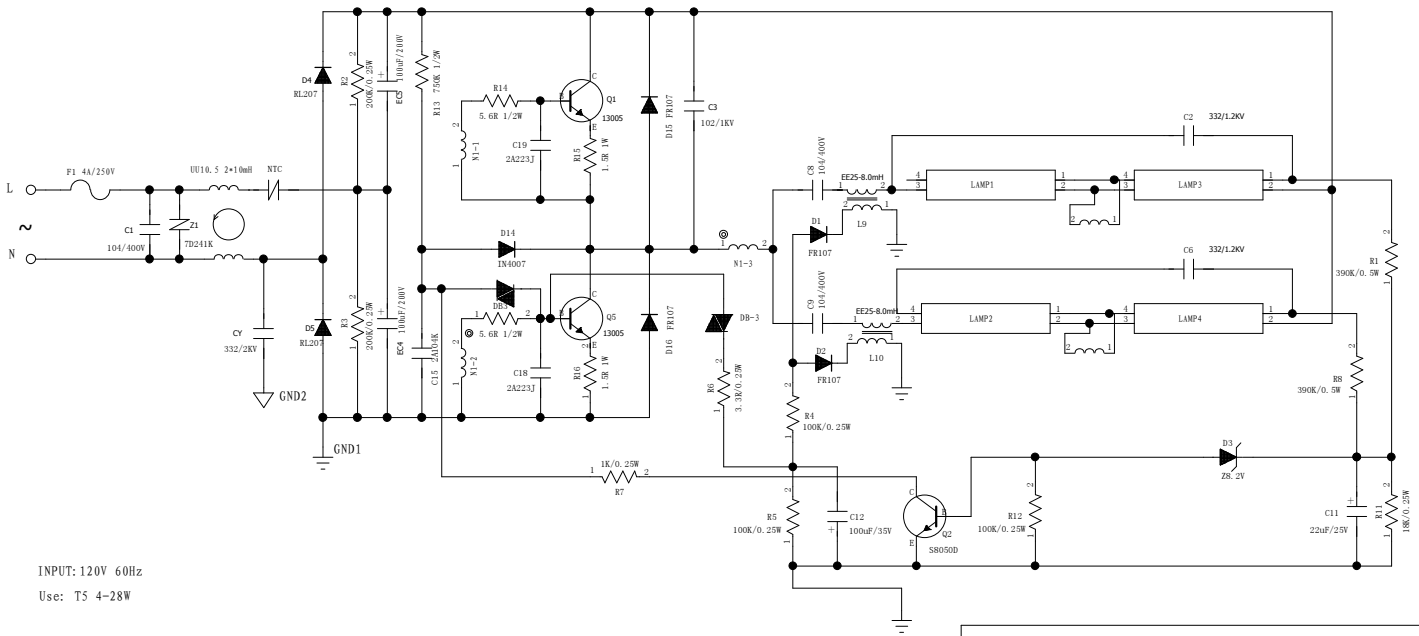
4

3

2

1

REVISION RECORD			
LTR	ECO NO:	APPROVED:	DATE:



INPUT: 120V 60Hz
Use: T5 4-28W

COMPANY:				
DRAWN: Dai weijun		DATED: 03-12-2009		TITLE: T5-4x28W-120
CHECKED:		DATED:		CODE:
QUALITY CONTROL:		DATED:		SIZE: B
RELEASED:		DATED:		DRAWING NO: NO.1
SCALE:				REV: REV
SHEET: 1 OF 1				