



DESCRIPTION

PT5631 is a dimming ballast controller, which is available to implement closed loop feedback control of the lamp power. PT5631 has external programmable features, such as preheat time and preheat current. All of these provide a great degree of flexibility for the ballast design engineers. With different connections, PT5631 has the dimming ability with SCR, potentiometer or remote controller. And the PT5631 is available in both 16-pin DIP and 16-pin SOP packages.

FEATURES

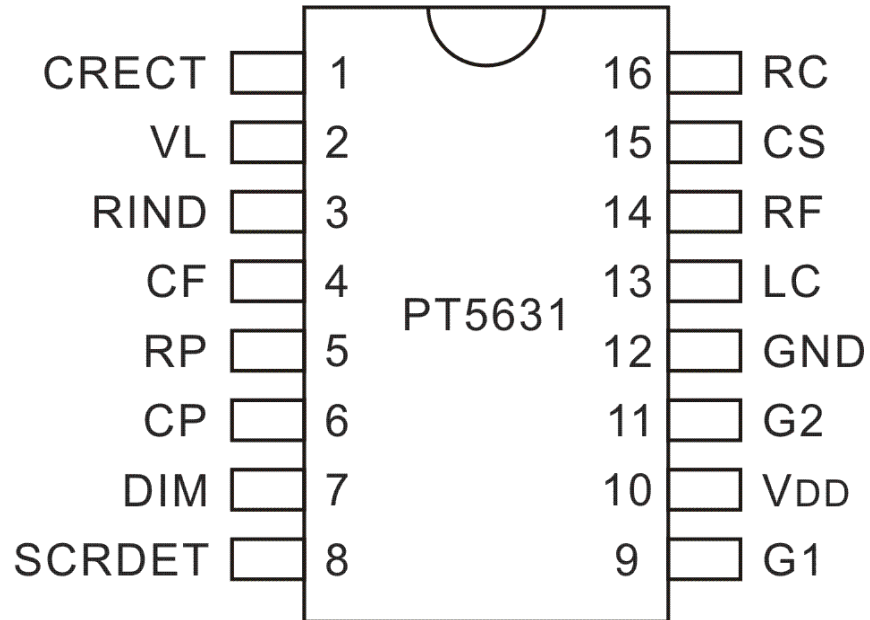
- Dimming range: 7.5%~100%
- Provides capacitive mode protection of half-bridge inverter
- Over-voltage protection, over-current protection and thermal protection
- Programmable preheat time and preheat current (Frequency)
- Minimum dimming control
- Closed-loop lamp power control

APPLICATIONS

- All types fluorescent lamps
- SCR, potentiometer & remote dimmer



PIN CONFIGURATION



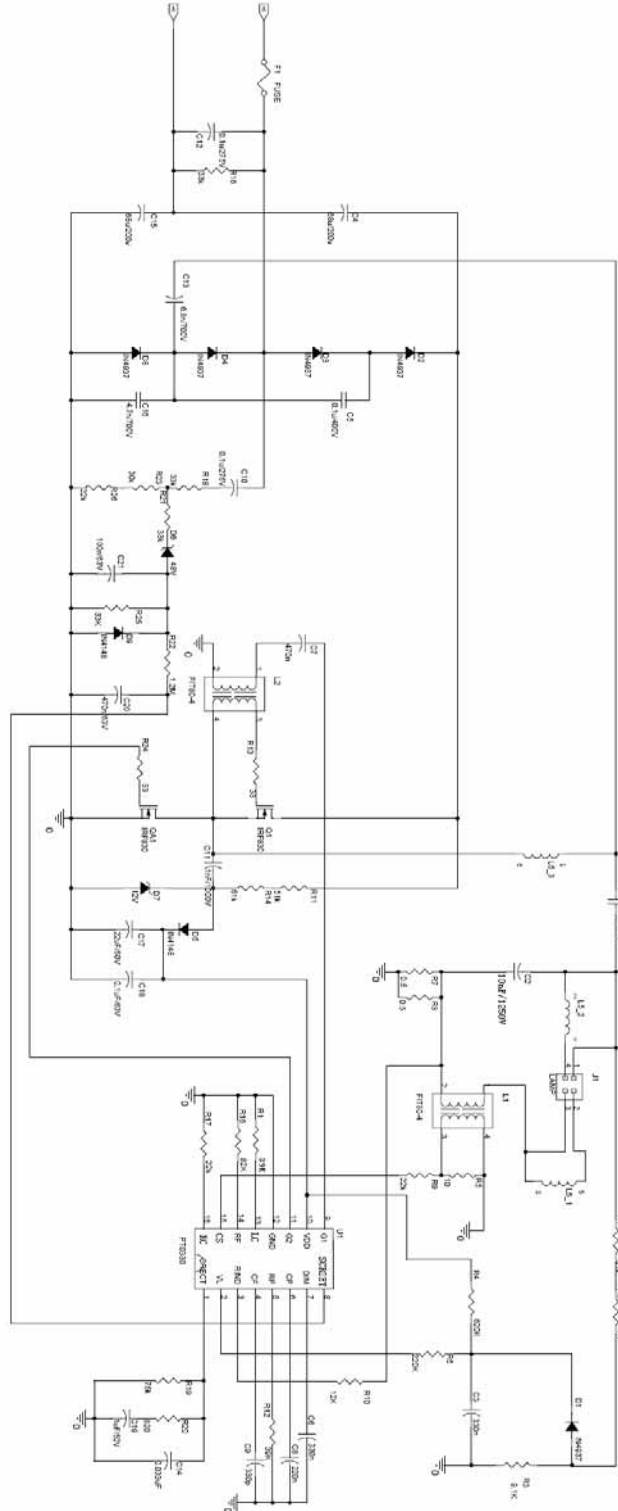


Dimming Ballast Controller IC

PT5631

TYPICAL APPLICATION CIRCUIT

120V/60Hz/32W/T8





ORDER INFORMATION

Valid Part Number	Package Type	Top Code
PT5631-D (L)	16 Pins, DIP, 150MIL	PT5631-D
PT5631-S (L)	16 Pins, SOP, 300MIL	PT5631-S

Notes:

1. (L), (C) or (S) = Lead Free.
2. The Lead Free mark is put in front of the date code.