

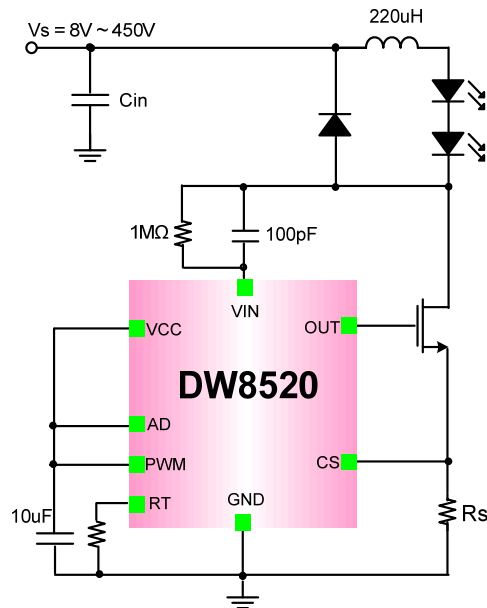
## Features

- Topology : Switch mode controller (Buck)
- Application Input Voltage : 8V ~ 450V
- Efficiency : Up to 90%
- Current Control : Linear & PWM dimming
- Quiescent Current : Typical 0.5mA
- Switching Frequency : Constant frequency or constant off-time operation
- Protection Function : Soft-start, TSD, OVP

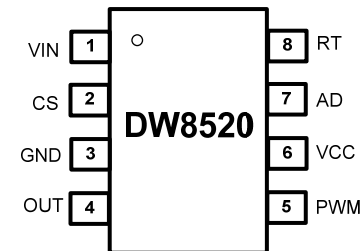
## Applications

- DC/DC or AC/DC LED driver applications
- Signage and decorative LED lighting
- General lighting of flat panel displays
- RGB backlight LED driver
- General purpose constant current source

## Typical Application



## Package



**8Lead SOIC**  
**(4.9 x 3.9 x 1.4)**