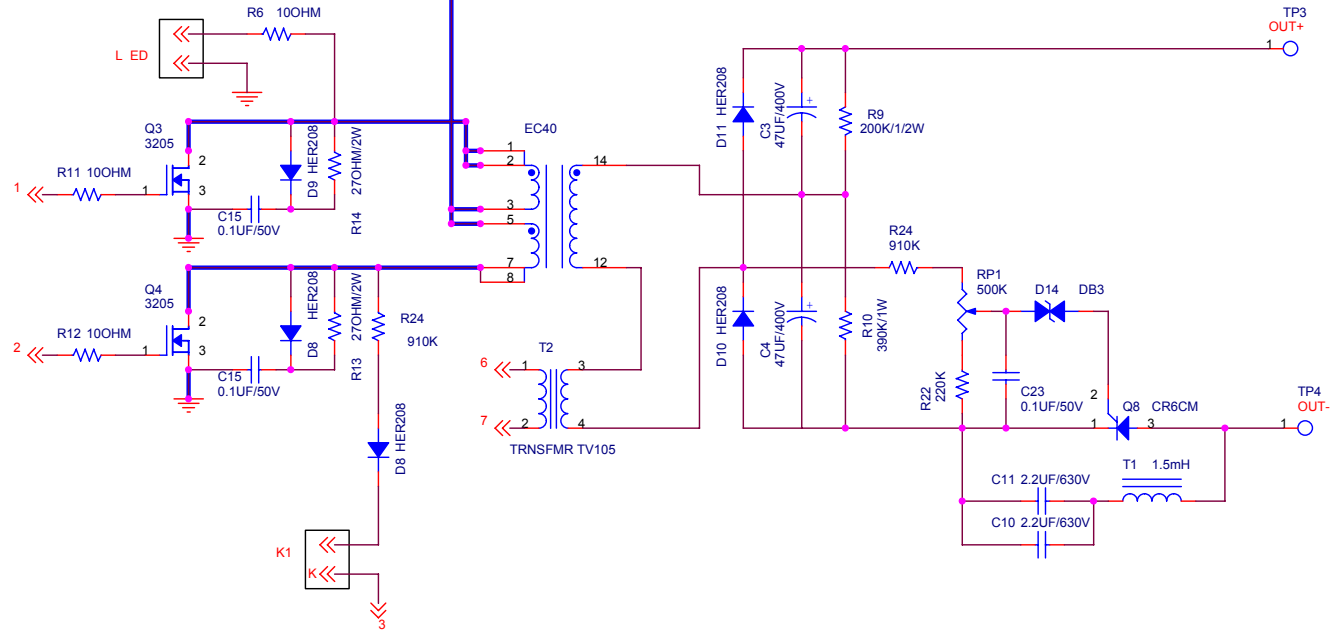
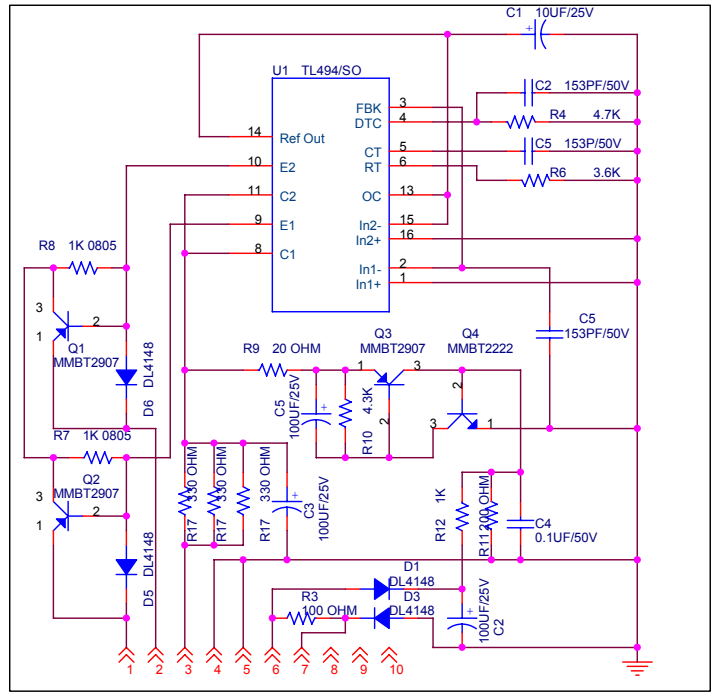


QQ:275188034

驱动小板



Title			圣科-2030A原理图		
Size	Document Number		Rev		
Custom	<Doc>		X3		
Date:	Wednesday, March 19, 2008	Sheet	1	of	1